



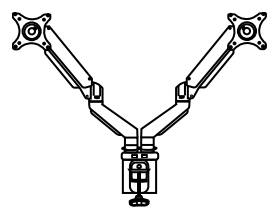



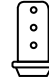




i



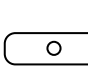

x1  10 min  

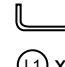
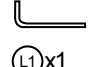

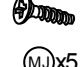
 www.my-unilux.com

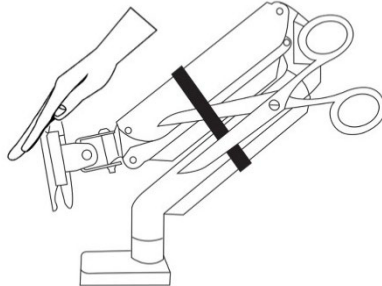
+


(A) x1 

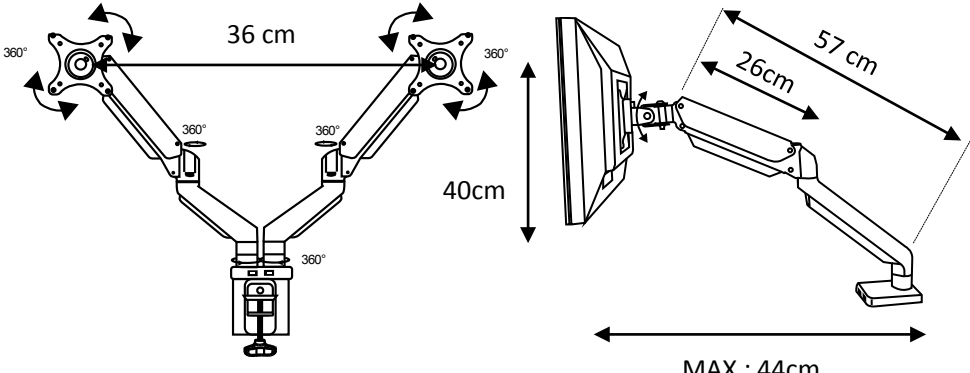
(B) x2  **(C)** x1  **(D)** x1  **(E)** x1  **(F)** x1  **(G)** x4 

(H) x1  **(I)** x1  **(J)** x1  **(K)** x4 

(L1) x1  **(L1)** x1  **(MA)** x8  **(MJ)** x5 



 **Be careful when cutting**



36 cm

360°

40 cm

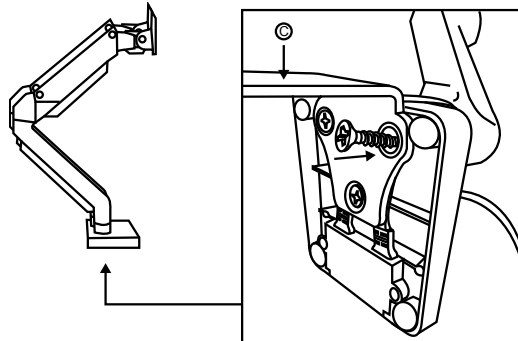
26 cm

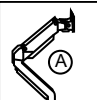
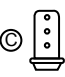

57 cm

MAX : 44 cm

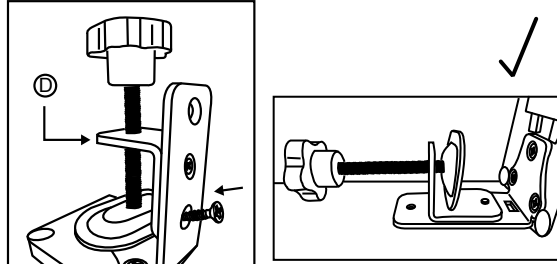
ARM INSTALLATION TWO OPTIONS : option A or option B

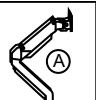
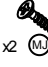
A1



(A) x1  **(C)** x1  **(M)** x3 

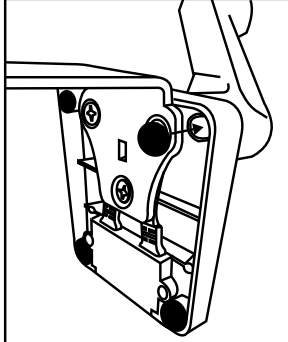
A2

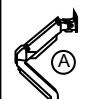



(D) x1  **(M)** x2 

A3

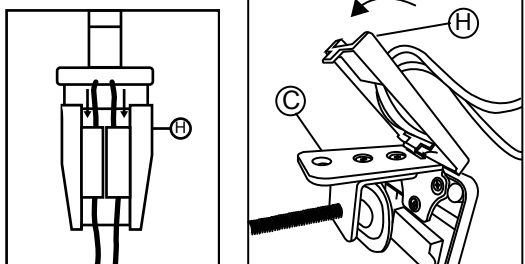
Place the protection circle in the four angles in contact with the desk.

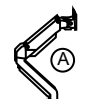



(A) x1  **(G)** x4 

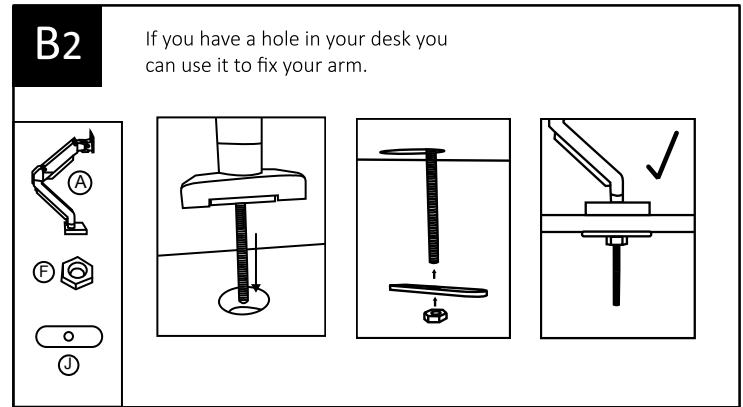
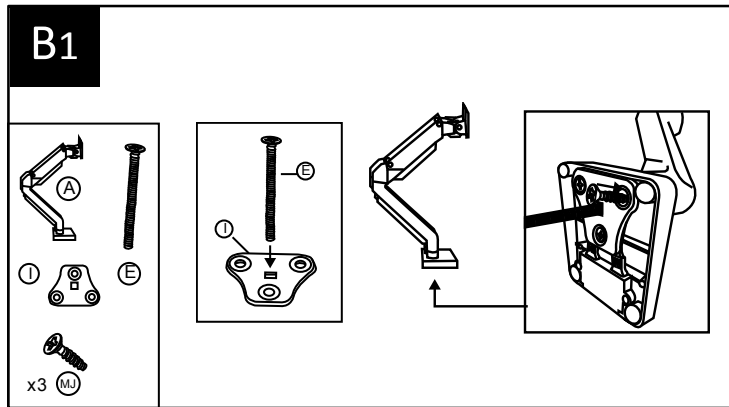
A4

Stuck the two cables through the piece G



(A) x1  **(H)** x1 

OR



MONITOR INSTALLATION

