

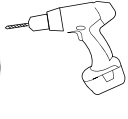



**i**

 x1

 4 mins

 x1

 [www.my-unilux.com](http://www.my-unilux.com)

**+**

**A** x1

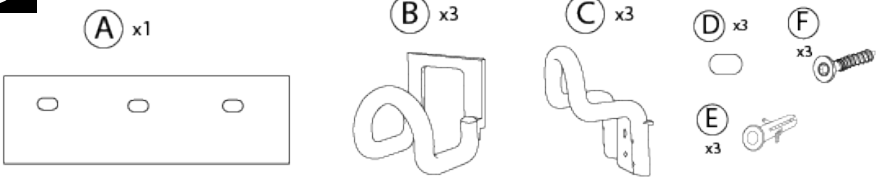
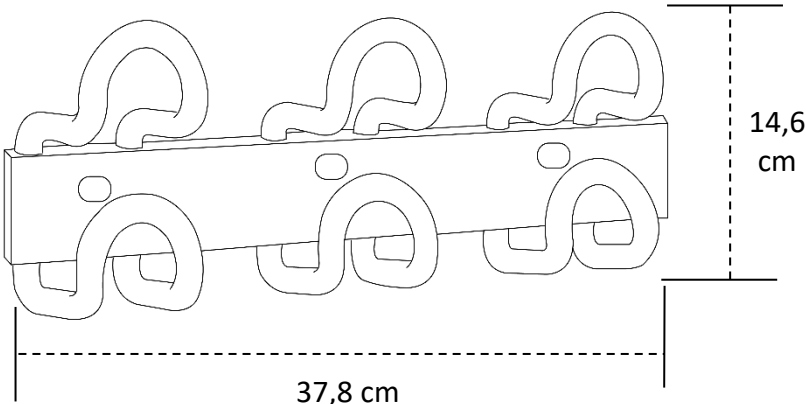
**B** x3

**C** x3

**D** x3

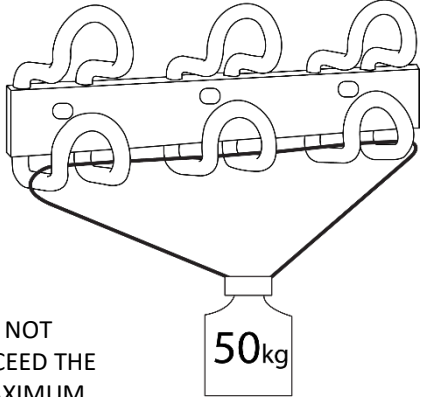
**E** x3

**F** x3

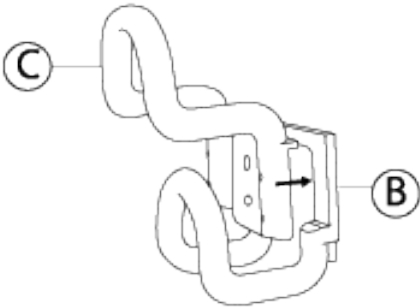
14,6 cm

37,8 cm

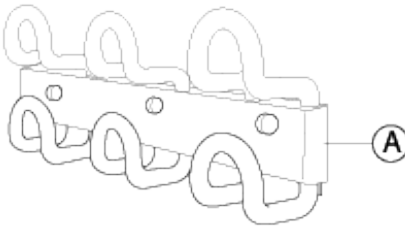


50kg

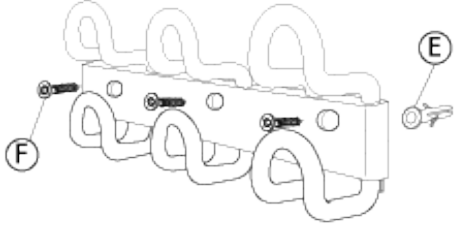
DO NOT EXCEED THE MAXIMUM WEIGHT.




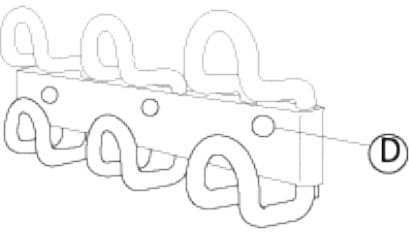
Clip the two pieces of the 3 pegs.



Clip the three pegs to the piece A.



Drill the surface you want to hold your pegs and put the insert ( E ) into the holes. Then screw the pegs to the wall

Clip the pieces D to hide the screws.