





i


 x1


 5 min

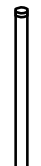



 www.my-unilux.com


+


 x1 (A)


 x3 (B)

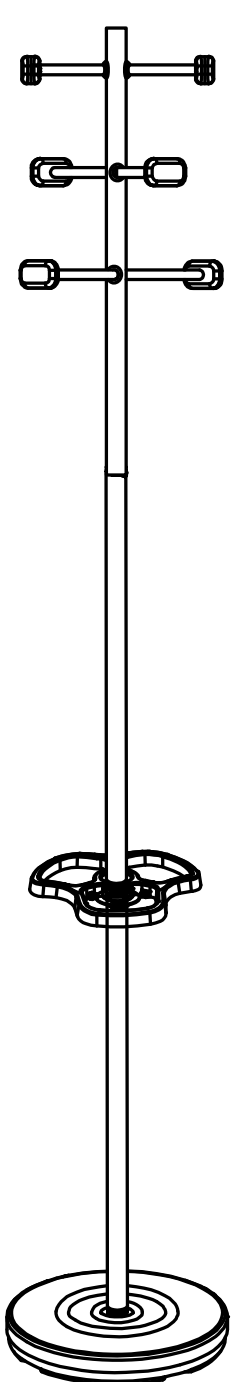
 x2 (C)

 x3 (D)

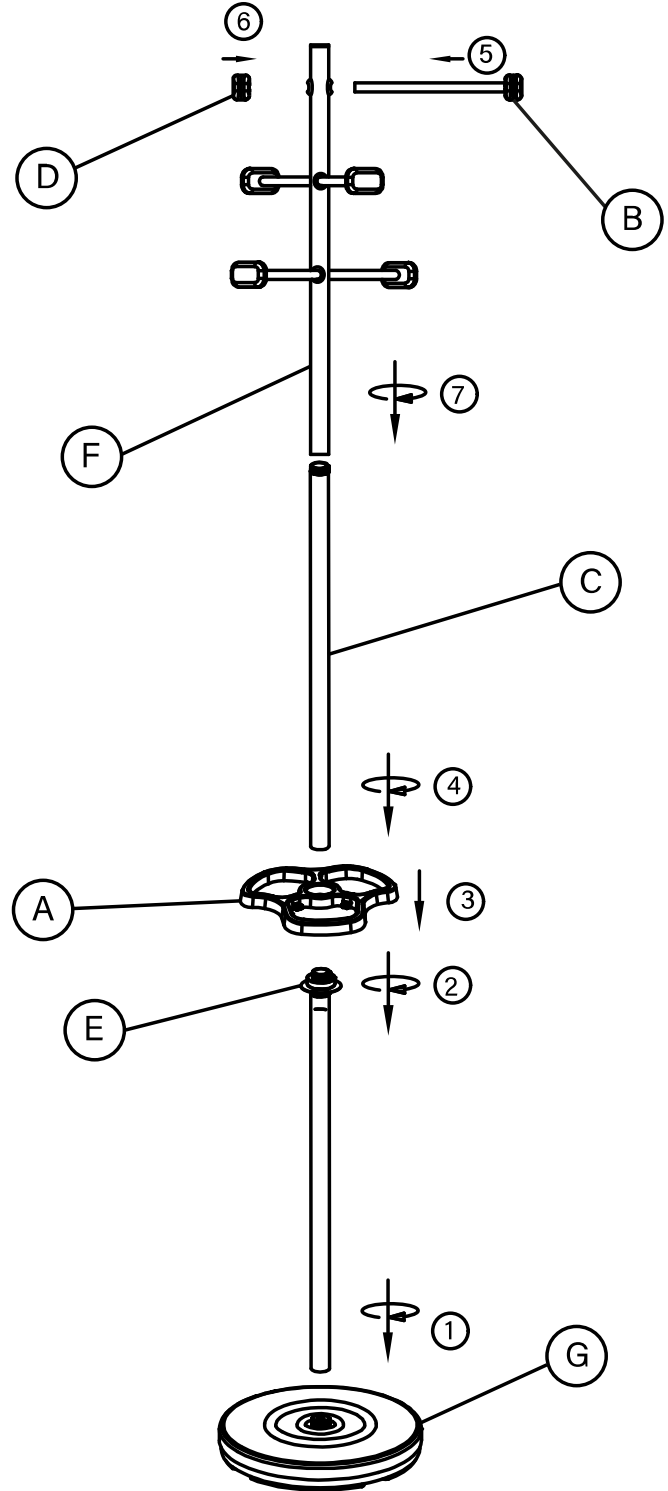
 x1 (E)

 x1 (F)

 x1 (G)



174 cm



1. Insert the long pin (C) into the base plate (G).
2. Tighten the nut (E) onto the long pin (C).
3. Place the base plate (A) onto the long pin (C).
4. Rotate the base plate (A) to lock it in place.
5. Insert the short pin (B) into the top of the long pin (C).
6. Tighten the washer (D) onto the short pin (B).
7. Rotate the top section to lock it.