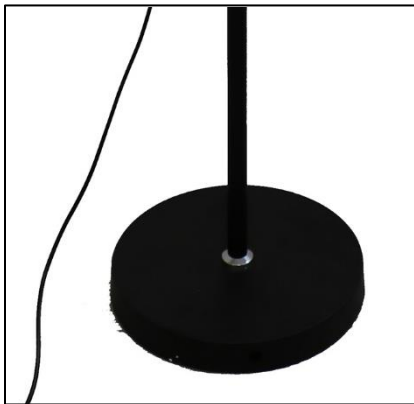




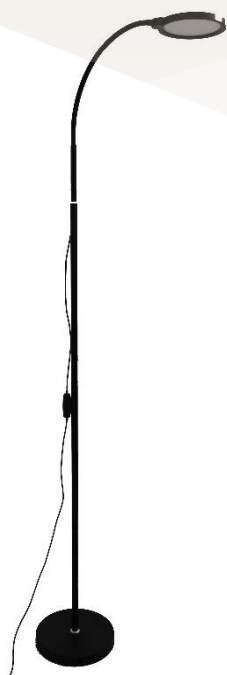
UNILUX

FLEXLED

FLEXLED



FLEXLED is an elegant floor lamp thanks to its slender design and thin, rounded head. Inexpensive and energy-efficient, it has a flexible mast top as well as a dimmer of intensity and color temperature for optimal visual comfort. Its originality is also in the possibility of transforming it into a lamp in a jiffy, by unscrewing the two metal tubes of the mast.



- **3 colors and 3 brightness modes:** The floor lamp is equipped with a control box located on the cable and offers 3 colors of warm light / neutral light / white light, temperature from 3000K to 6000K, which will respectively meet your different needs.
- **Clever:** this floor lamp turns into a desk lamp in seconds by unscrewing the 2 metal tubes.
- **360° flexible:** This floor lamp has 10W energy-saving LEDs. You can adjust the lighting angle freely thanks to the flexible rotating gooseneck design
- **Easy to install:** Our floor lamp installs easily and works perfectly in your office, dining room, bedroom or anywhere you may need lighting

Warranty: 2 years

Height: 150 cm

Base diameter: 20 cm

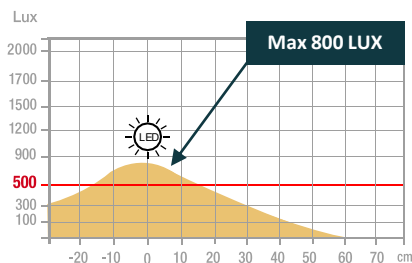
Materials: base and mast made entirely of quality steel with Epoxy paint finish and silicone-coated hose



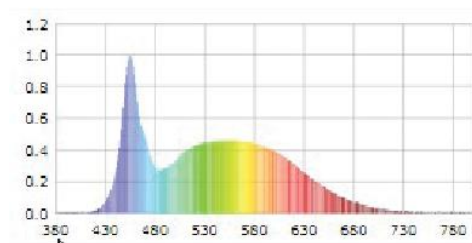
Professional replaceable light source (LED only)

Characteristics

Lux measurement upwards 35 cm from the light source:



Measurement in nanometers of the light spectrum

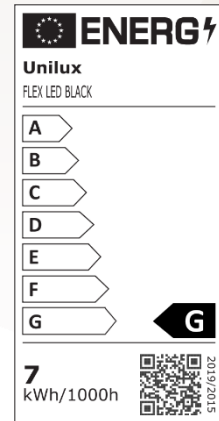


SAP. code	400153722
EAN code	3595560031856
Colors	Black
Luminous flow (Lm)	
Lux at 55 cm (indirect)	800
Luminous Efficiency (Lm/W)	100
Color T°(K)	3000 K at 6000K
CRI	80
Source's lifetime (h)	40 000
Energy Consumption (kWh/1000h)	7
Net weight (kg)	2

OUR CSR COMMITMENTS

1. All our lighting are **100% repairable** thus limiting planned obsolescence.
2. Reduce our carbon footprint through our **ECO-DESIGN THINKING** approach.
3. Contribute to the preservation of the planet's natural resources by promoting the use of **recycled materials**.
4. Optimize our packaging to control our **transport costs**.
5. Highlight the **talent of our employees** by ensuring social equality.

Energy class



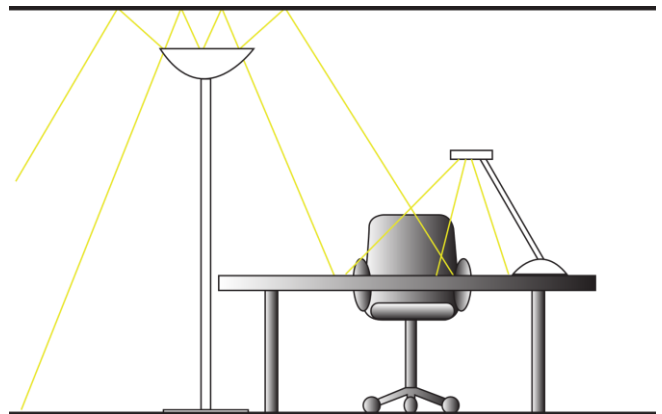
OUR EXPERTISE

1- Floor lamp with direct and indirect lighting: the ideal and optimal lighting on your desk

Because they're so easy to install and so decorative, indirect-lighting floor lamps are a firm favourite with the French! This floor lamp is ideal for illuminating a specific area of a room, or for adding a small, original decorative touch that will change the whole atmosphere of the room.

Thanks to its upward-directed light, which will reverberate off the ceiling, this floor lamp generally acts as a secondary or ambient light, providing you with high quality, high-performance lighting. It blends in perfectly with any room in your business:

- individual office
- open space
- meeting rooms
- high-traffic areas such as reception halls



Lighting according to DIN EN 12464-1 * for the office

- **300 Lux:** deposit, copy, circulation areas
- **500 Lux:** writing, reading, data processing
- **500 Lux:** at the reception and at the counter
- **750 Lux:** technical drawing

OUR CERTIFICATIONS

Unilux is committed to an eco-responsible approach and ensures that its products respect this commitment. Indeed, we are very concerned about current environmental issues and we aspire to respond as best as possible to the concerns of our consumers on this subject. Sustainable development is at the heart of our strategy and we act for the environment. You will find below the different certifications that Unilux has and that prove its environmental commitment.



UNILUX

* DIN EN 12464-1 (DIN 5035-1): European standard which determines the lighting requirements for workstations in closed places, these satisfying the needs of comfort and visual performance. DIN EN 12464-1 replaced DIN 5035-1

USER GUIDE


i



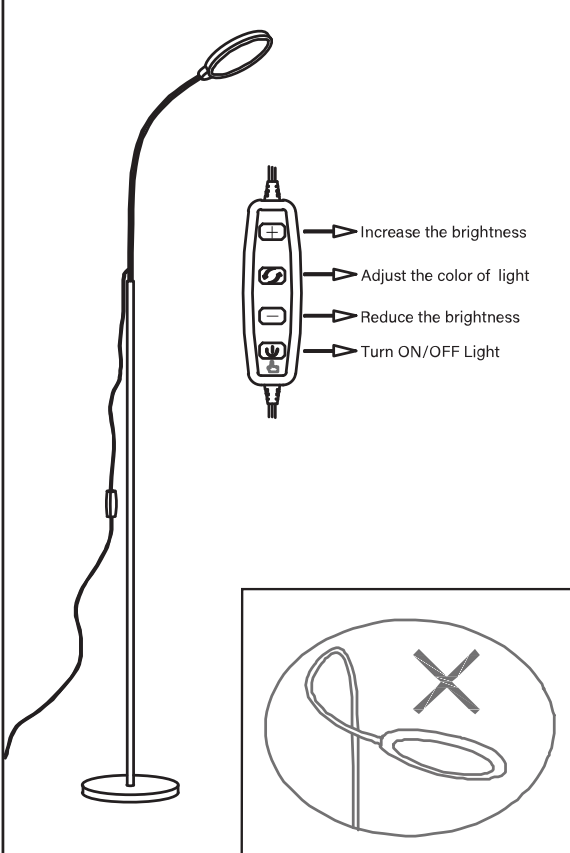
5 min x1

www.my-unilux.com

+

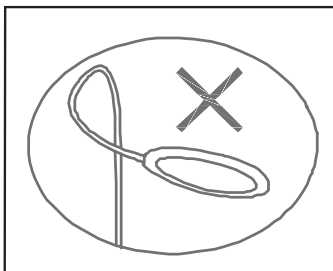


x3 x1 x1 x1 x1 x1

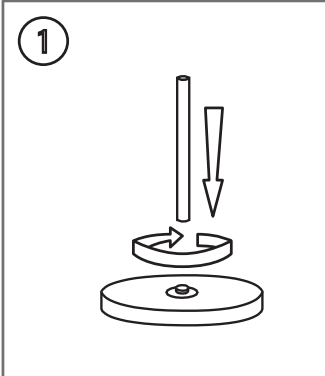


Control panel functions:

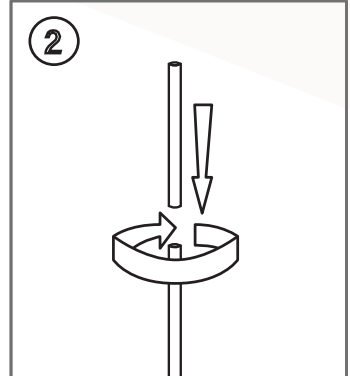
- Increase the brightness
- Adjust the color of light
- Reduce the brightness
- Turn ON/OFF Light



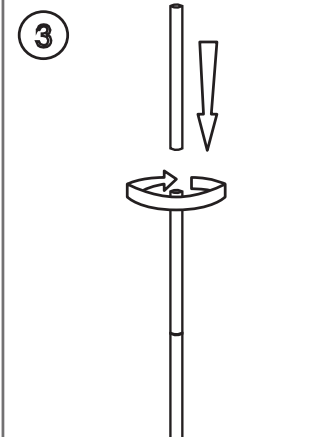
1



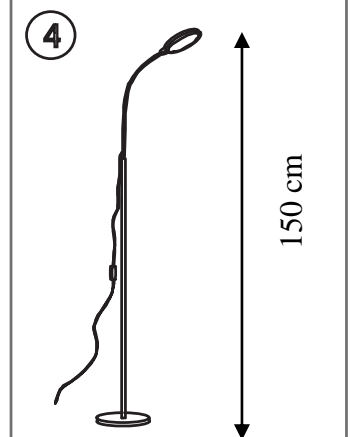
2



3

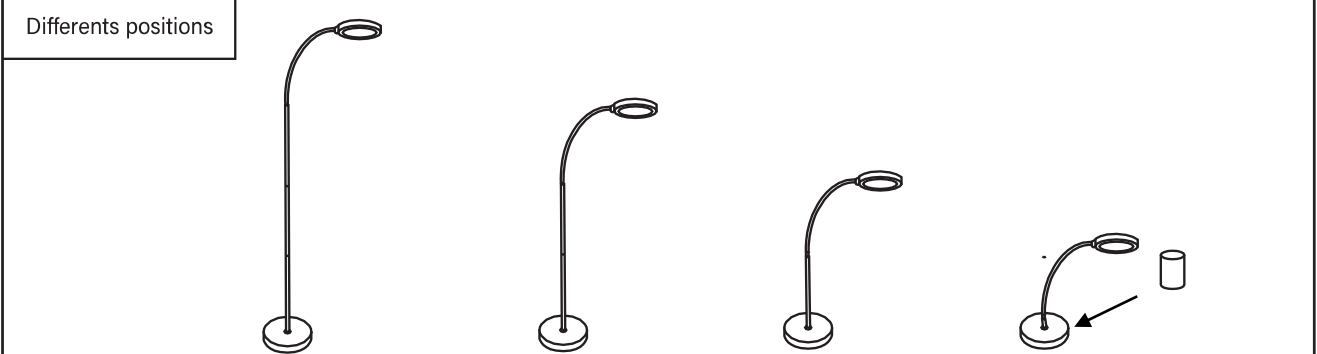


4



150 cm

Differents positions



Uplighter positions

Desk lamp positions

30 products available on pCon Planner

You will be able to obtain data on many UNILUX or OFML standard products and integrate them quickly and easily into 3D space layouts via pCon.



Download on our E-shop

Always available: photos in HD, data sheets, instruction manual, repairability instructions for all our products.



Do you have any questions?

Our after-sales service is always at your disposal

Tèl: +33 1 81 86 06 03

E-mail: contact.unilux@hamelinbrands.com

17 avenue du Parc TECHNOPOLES

91380 Chilly Mazarin – France

Tèl: +33 1 81 86 06 00

www.my-unilyx.com

E-mail: contact.unilux@hamelinbrands.com

UNILUX