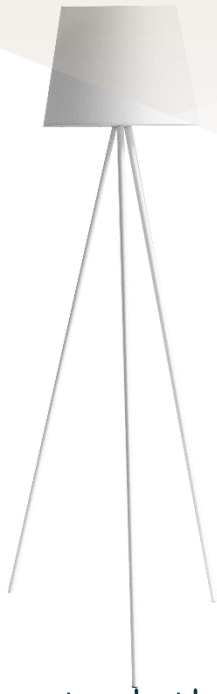




UNILUX

ARKA



- **Metal Tripod Lamp:** This metal tripod floor lamp will give a modern style to your home. This floor lamp is suitable for industrial and minimalist style.
- **Soft Light:** The lampshade is made of heat-resistant fabric that is easy to clean, the light is soft and friendly to the eyes.
- **Thin and Stable:** The tripod is made of high quality steel offers a very stable stand
- **Bulb Supplied:** It comes with an 11W LED bulb in the package. The lamp is compatible with LED bulbs of up to 11W.
- **Installation and Packaging:** Quick installation with a few very simple steps. You can finish the installation very quickly by following the installation manual.

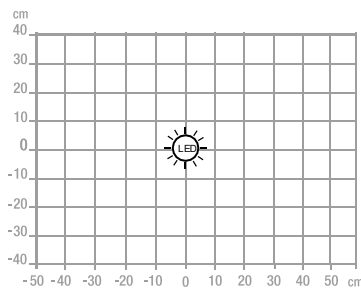
Warranty: 2 years
 Height 150 cm
 Materials: metal foot / fabric lampshade



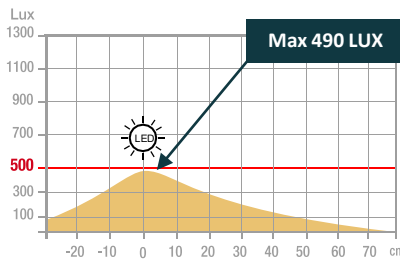
End user replaceable light source (LED only)

Characteristics

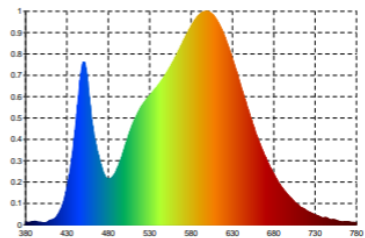
Measurement in Lux on the work surface from below at 35 cm



Measurement in Lux on the work surface from the side view at 35 cm



Measurement in nanometers of the light spectrum



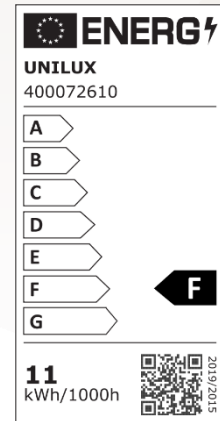
- 0 No-risk
- 1 Low-risk
- 2 Moderate-risk
- 3 High-risk

SAP. code	400166580
EAN code	3595560036165
Colors	White
Luminous flow (Lm)	915
Lux at 55 cm (indirect)	490
Luminous Efficiency (Lm/W)	83
Color T*(K)	3000
CRI	84
Source's lifetime (h)	30 000
Energy Consumption (kWh/1000h)	11
Net weight (kg)	1,6

OUR CSR COMMITMENTS

1. All our lighting are **100% repairable** thus limiting planned obsolescence.
2. Reduce our carbon footprint through our **ECO-DESIGN THINKING** approach.
3. Contribute to the preservation of the planet's natural resources by promoting the use of **recycled materials**.
4. Optimize our packaging to control our **transport costs**.
5. Highlight the **talent of our employees** by ensuring social equality.

Energy class



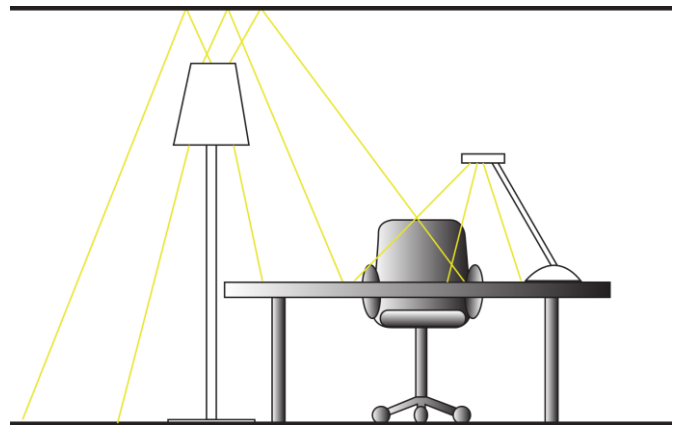
OUR EXPERTISE

1- Floor lamp with lampshade: A complementary decorative accent light!

Because they're so easy to install and so decorative, indirect-lighting floor lamps are a firm favourite with the French! This floor lamp is ideal for illuminating a specific area of a room, or for adding a small, original decorative touch that will change the whole atmosphere of the room.

Thanks to its upward-directed light, which will reverberate off the ceiling, this floor lamp generally acts as a secondary or ambient light, providing you with high quality, high-performance lighting. It blends in perfectly with any room in your business:

- individual office
- open space
- meeting rooms
- high-traffic areas such as reception halls



Lighting according to DIN EN 12464-1 * for the office

- **300 Lux:** deposit, copy, circulation areas
- **500 Lux:** writing, reading, data processing
- **500 Lux:** at the reception and at the counter
- **750 Lux:** technical drawing

OUR CERTIFICATIONS

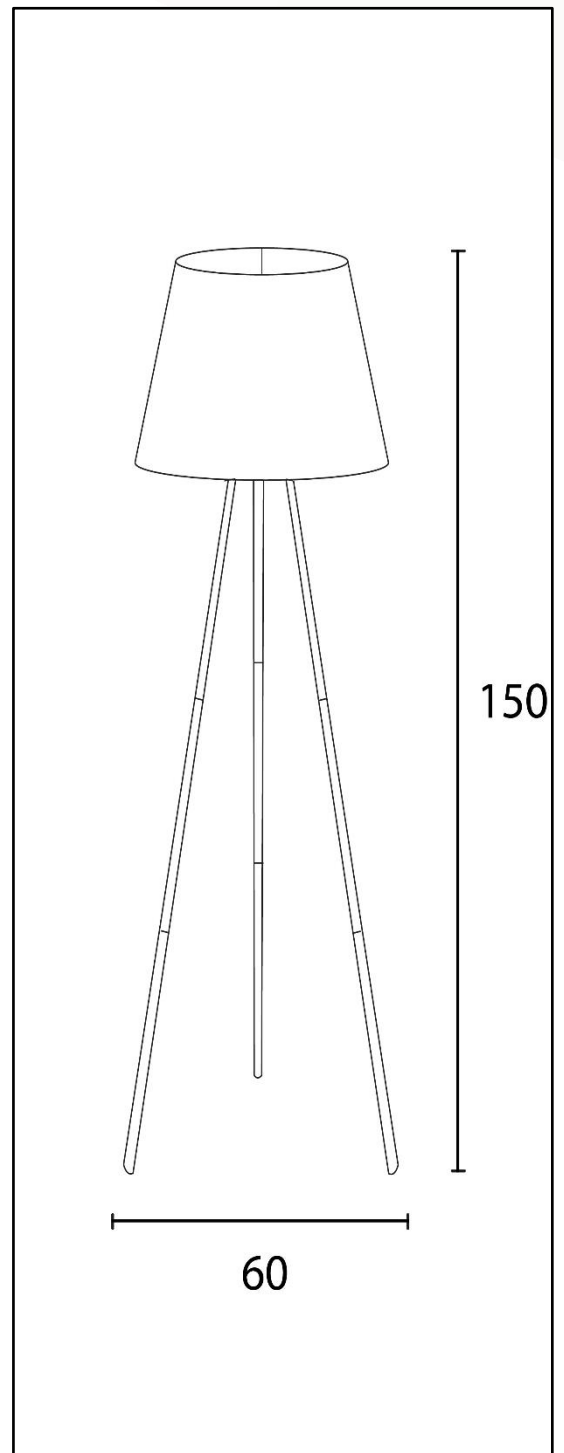
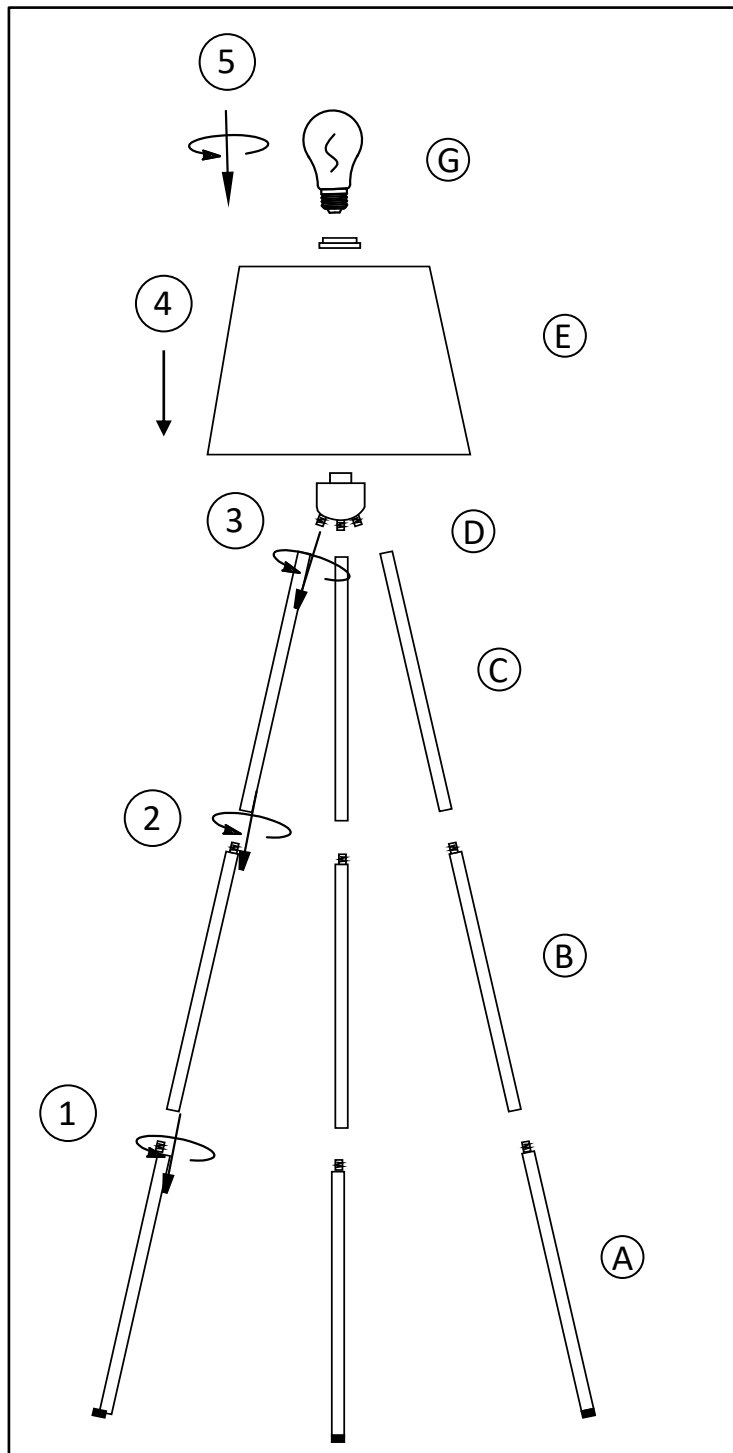
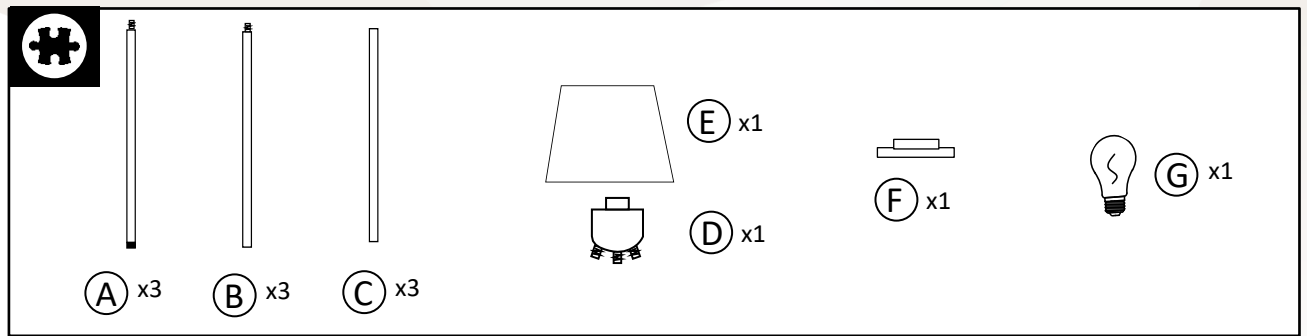
Unilux is committed to an eco-responsible approach and ensures that its products respect this commitment. Indeed, we are very concerned about current environmental issues and we aspire to respond as best as possible to the concerns of our consumers on this subject. Sustainable development is at the heart of our strategy and we act for the environment. You will find below the different certifications that Unilux has and that prove its environmental commitment.



UNILUX

* DIN EN 12464-1 (DIN 5035-1): European standard which determines the lighting requirements for workstations in closed places, these satisfying the needs of comfort and visual performance. DIN EN 12464-1 replaced DIN 5035-1

USER GUIDE



30 products available on pCon Planner

You will be able to obtain data on many UNILUX or OFML standard products and integrate them quickly and easily into 3D space layouts via pCon.



Download on our E-shop

Always available: photos in HD, data sheets, instruction manual, repairability instructions for all our products.



Do you have any questions?

Our after-sales service is always at your disposal

Tèl: +33 1 81 86 06 03

E-mail: contact.unilux@hamelinbrands.com

17 avenue du Parc TECHNOPOLES

91380 Chilly Mazarin – France

Tèl: +33 1 81 86 06 00

www.my-unilyx.com

E-mail: contact.unilux@hamelinbrands.com

UNILUX