



UNILUX

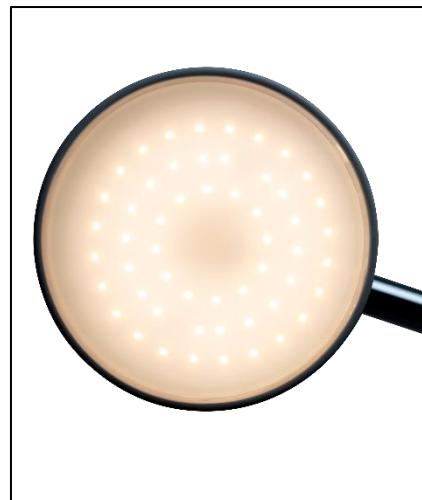
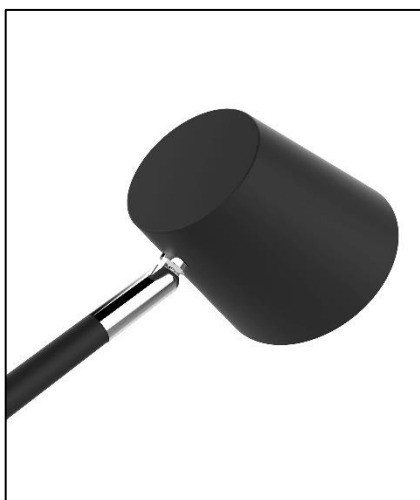
VICKY

VICKY white



VICKY is a lamp mixing white and the warmth of wood. It offers three levels of light intensity thanks to its switch positioned on the base. It is equipped with a USB port (5 volts, 1 amp) allowing fast charging of a smartphone or tablet.

VICKY black




UNILUX



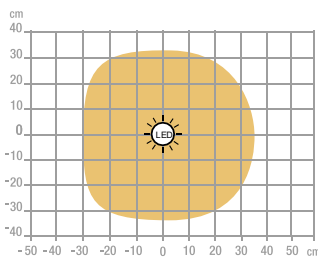
- **USB charging port:** Built-in 5V USB-C connection, max. 1 A, charge your smartphone or tablet (cable not included).
- **Energy saving:** This desk lamp uses the latest generation LEDs. With a lifespan of 50,000 hours.
- **Scandinavian design:** sober and timeless, the combination of wood-white and wood-black enhances both large interiors such as reception halls and smaller contemporary spaces such as contemporary offices.
- **Optimal lighting (3 intensity levels):** The LED lighting of this lamp offers glare-free, uniform light that does not harm your eyes.
- **Low visual stress after prolonged use:** ideal for working, reading or studying, at home or in the office.
- **Available in 2 colors:** coated with a resistant EPOXY paint, this lamp comes in 2 colors: white/beechn* and black/beechn*

Warranty: 2 years
 Maximum height: 53 cm / minimum height: 18 cm
 Materials: epoxy painted steel and beech finish wood

 Light source replaceable (LED only) by a professional

Characteristic

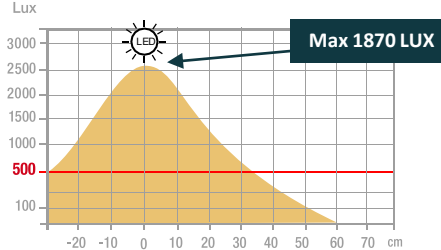
Measurement in Lux on the work surface in top view at 35 cm:



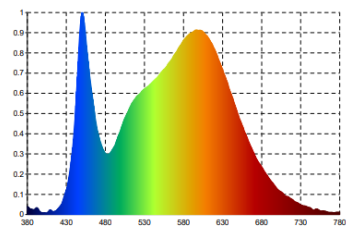
> 500 Lux

< 500 Lux

Measurement in Lux on the work surface in profile view at 35 cm:



Measurement in nanometer of the light spectrum



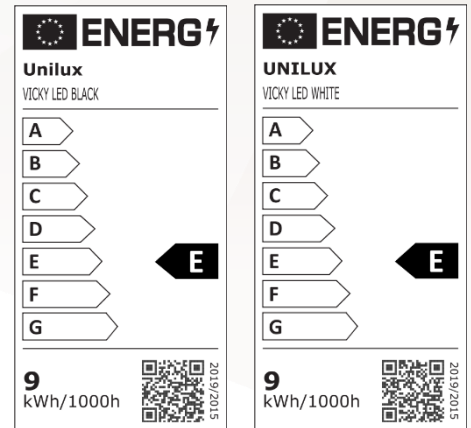
- 0 No-risk
- 1 Low-risk
- 2 Moderate-risk
- 3 High-risk

SAP. code	400110084	400153732
EAN code	3595560028139	3595560032099
Colors	White/beechn	Black/beechn
Luminous flux (lm)	997	997
Lux (Lx)	1870 at 35 cm	1870 at 35 cm
Luminous Efficiency (Lm/W)	111	111
Color T*(K)	2900	2900
CRI	84	84
Source's lifetime (h)	50 000	50 000
Energy Consumption (kWh/1000h)	9	9
USB port	Yes	Yes
Induction charger	No	No
Poids net (kg)	1,7	1,7

OUR CSR COMMITMENTS

1. All our lighting are **100% repairable** thus limiting planned obsolescence.
2. Reduce our carbon footprint through our **ECO-DESIGN THINKING** approach.
3. Contribute to the preservation of the planet's natural resources by promoting the use of **recycled materials**.
4. Optimize our packaging to control our **transport costs**.
5. Highlight the **talent of our employees** by ensuring social equality.

Energy class



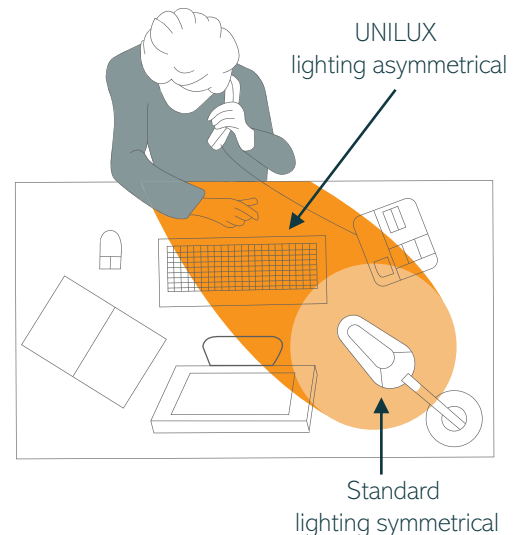
OUR EXPERTISE

1-Why use auxiliary lighting?

We are regularly subjected to constant artificial lighting in the office, which takes no account of our biological rhythms. Poor lighting quality can cause headaches, sleep disorders and loss of concentration. According to a recent study, only 34% of offices achieve the level of illumination of 500 lux recommended by Occupational Medicine in accordance with DIN EN 12464-1*.

2-How to light your workspace?

- Position the lamp head at least 35 cm above the worktop. work surface.
- Place the lamp on the opposite side to the hand that is holding the mouse or writing.
- Use lamps with asymmetrical lighting to reduce eyestrain, which can lead to eye irritation, headaches, loss of concentration, reduced productivity, etc.
- Position the lamp so that it is easy to adjust and so that the light is in the right place.
- Avoid reflections from shiny surfaces.
- Limit direct glare from bright light in the field of vision and indirect glare from bright light in the field of vision. in the field of vision and indirect glare from the reflection of light from the reflection of light in the field of vision, on a work surface walls or objects.



OUR CERTIFICATIONS

Unilux is committed to an eco-responsible approach and ensures that its products respect this commitment. Indeed, we are very concerned about current environmental issues and we aspire to respond as best as possible to the concerns of our consumers on this subject. Sustainable development is at the heart of our strategy and we act for the environment. You will find below the different certifications that Unilux has and that prove its environmental commitment.

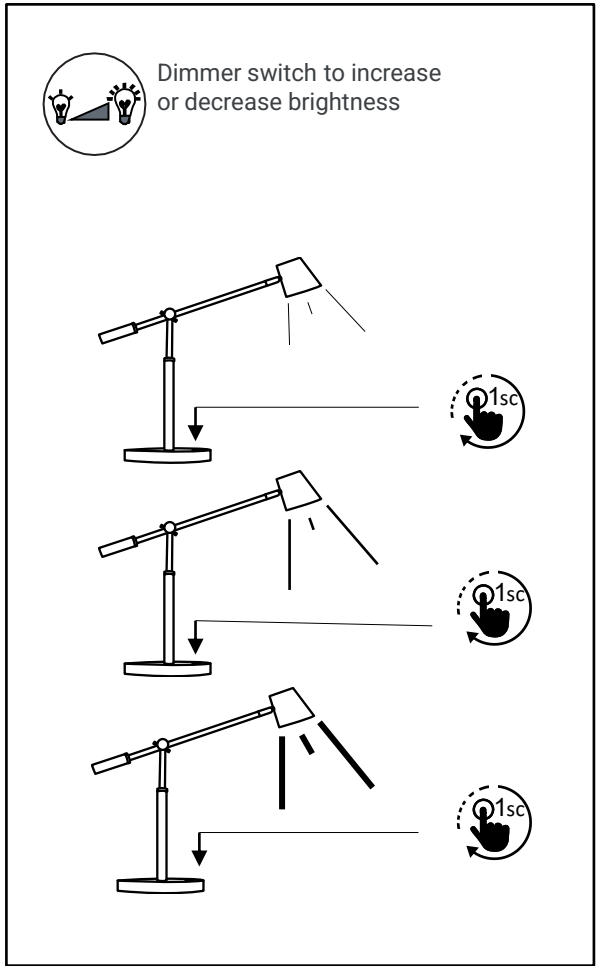
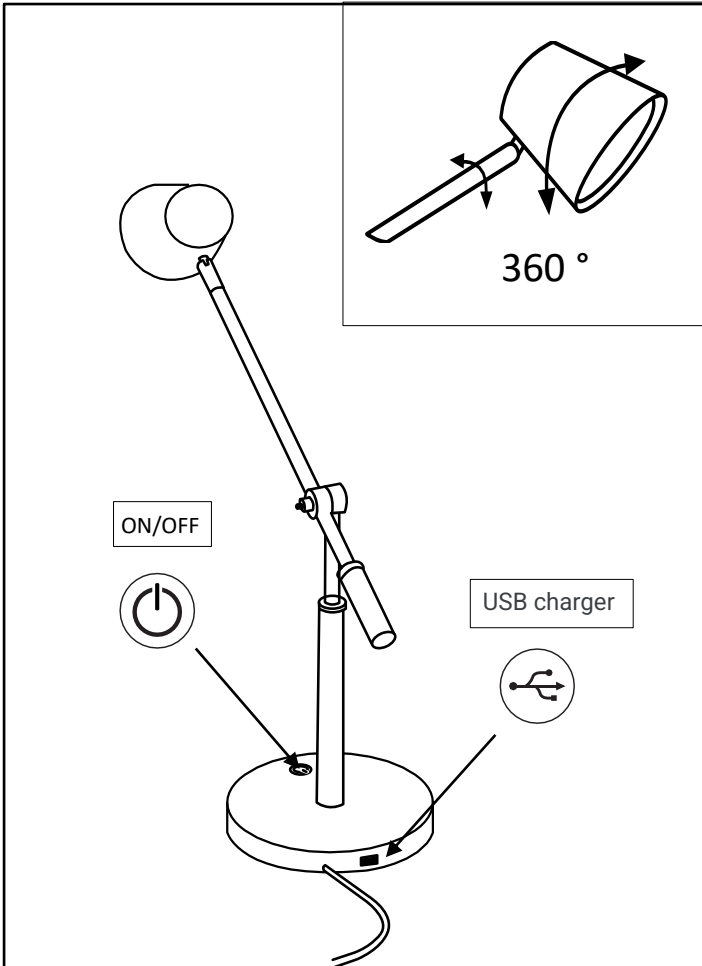
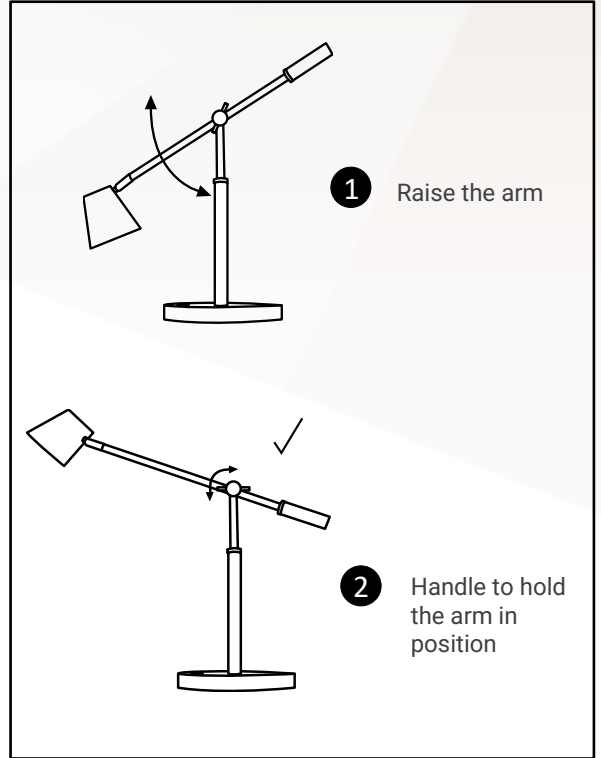
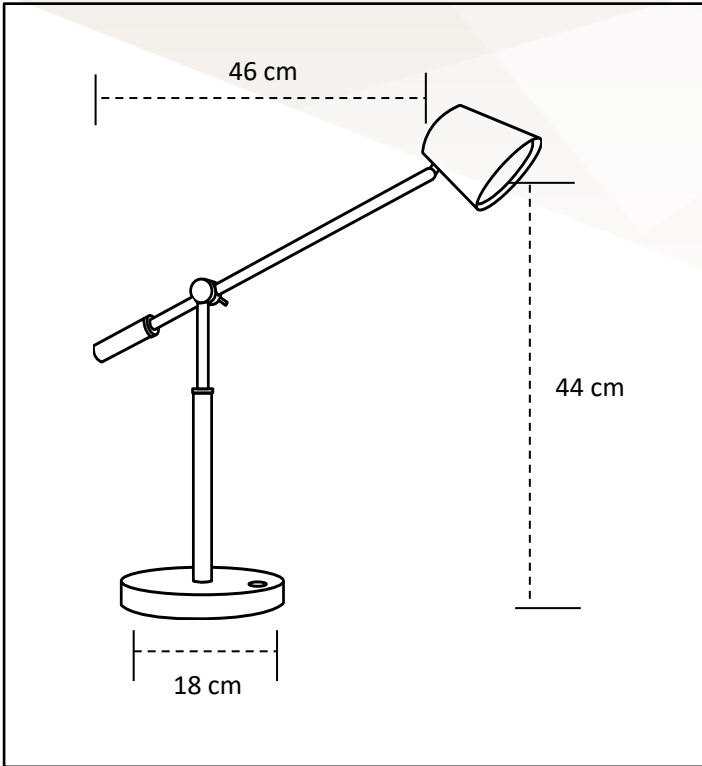


La marque de la gestion forestière responsable

UNILUX

* DIN EN 12464-1 (DIN 5035-1): European standard which determines the lighting requirements for workstations in closed places, these satisfying the needs of comfort and visual performance. DIN EN 12464-1 replaced DIN 5035-1

USER GUIDE



30 products available on pCon Planner

You will be able to obtain data on many UNILUX or OFML standard products and integrate them quickly and easily into 3D space layouts via pCon.



Download on our E-shop

Always available: photos in HD, data sheets, instruction manual, repairability instructions for all our products.



Do you have any questions?

Our after-sales service is always at your disposal

Tèl: +33 1 81 86 06 03

E-mail: contact.unilux@hamelinbrands.com

17 avenue du Parc TECHNOPOLES

91380 Chilly Mazarin – France

Tèl: +33 1 81 86 06 00

www.my-unilyx.com

E-mail: contact.unilux@hamelinbrands.com

UNILUX