



UNILUX

---

LIBRARY & LIBRARY DOUBLE

# LIBRARY



LIBRARY SIMPLE is a bookcase lamp perfectly suited to diffuse optimal lighting over the entire work surface. It is very simply attached to the workstation thanks to an axis and two plates. It is equipped with an easy-to-access ON/OFF switch.

# LIBRARY & LIBRARY DOUBLE



- **Efficient:** The table lamp is an essential element in libraries to create an atmosphere that promotes the concentration and well-being of its users. The Kos Lightning bookcase lamp diffuses optimal illumination over the entire work surface.
- **Sobriety and practicality:** the bookcase lamp is available in single head or double head version to integrate perfectly with the needs of libraries. It is easily attached to the workstation thanks to an axle and two fixing plates.
- **Sustainable technology:** In addition to its advanced LED technology and energy-efficient consumption mode, the library lamp is set to OFF mode by default so that the user can turn it on if they need to. This avoids turning on unused workstations. When the library closes, the system centralizes the extinction of all lamps so that the place is not illuminated unnecessarily.

Warranty: 2 years

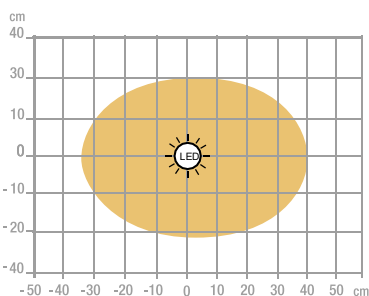
Materials: aluminum, polycarbonate diffuser, steel fastener



Professional replaceable light source (LED only)

## Characteristics

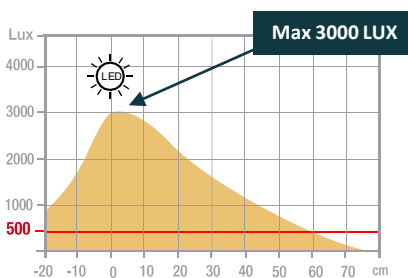
Lux measurement on the work surface in top view at 35 cm:



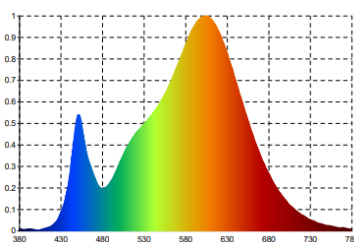
> 500 Lux

< 500 Lux

Measurement in Lux on the worktop in profile view at 35 cm:



Measurement in nanometers of the light spectrum



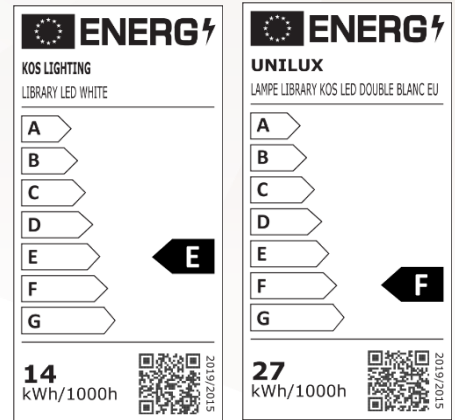
- 0 No-risk
- 1 Low-risk
- 2 Moderate-risk
- 3 High-risk

SAP no.	400099501 (LIBRARY simple)	400099459 (LIBRARY double)
EAN code	3595560027064	3595560027026
Colors	White	White
Luminous flow	1497	3080
Lux at 35cm	3000	2260
Lm/W	107	110
Color T* ( K)	3000	3000
CRI	82	82
Source Lifetime (h)	50 000	50 000
Energy consumption (kWh/1000 h)	14	28
USB Port	No	No
Inductive charger	No	No
Net weight (kg)	0,92	0,92

# OUR CSR COMMITMENTS

1. All our lighting are **100% repairable** thus limiting planned obsolescence.
2. Reduce our carbon footprint through our **ECO-DESIGN THINKING** approach.
3. Contribute to the preservation of the planet's natural resources by promoting the use of **recycled materials**.
4. Optimize our packaging to control our **transport costs**.
5. Highlight the **talent of our employees** by ensuring social equality.

## Energy class



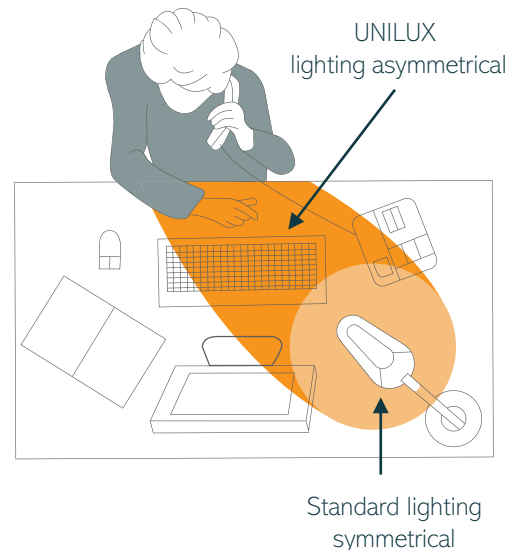
# OUR EXPERTISE

## 1-Why use auxiliary lighting?

We are regularly subjected to constant artificial lighting in the office, which takes no account of our biological rhythms. Poor lighting quality can cause headaches, sleep disorders and loss of concentration. According to a recent study, only 34% of offices achieve the level of illumination of 500 lux recommended by Occupational Medicine in accordance with DIN EN 12464-1\*.

## 2-How to light your workspace?

- Position the lamp head at least 35 cm above the worktop. work surface.
- Place the lamp on the opposite side to the hand that is holding the mouse or writing.
- Use lamps with asymmetrical lighting to reduce eyestrain, which can lead to eye irritation, headaches, loss of concentration, reduced productivity, etc.
- Position the lamp so that it is easy to adjust and so that the light is in the right place.
- Avoid reflections from shiny surfaces.
- Limit direct glare from bright light in the field of vision and indirect glare from bright light in the field of vision. in the field of vision and indirect glare from the reflection of light from the reflection of light in the field of vision, on a work surface walls or objects.



# OUR CERTIFICATIONS

Unilux is committed to an eco-responsible approach and ensures that its products respect this commitment. Indeed, we are very concerned about current environmental issues and we aspire to respond as best as possible to the concerns of our consumers on this subject. Sustainable development is at the heart of our strategy and we act for the environment. You will find below the different certifications that Unilux has and that prove its environmental commitment.




\* DIN EN 12464-1 (DIN 5035-1): European standard which determines the lighting requirements for workstations in closed places, these satisfying the needs of comfort and visual performance. DIN EN 12464-1 replaced DIN 5035-1


# USER GUIDE

**i**

x1

1 min



 [www.my-unilux.com](http://www.my-unilux.com)

**+**

Ax1

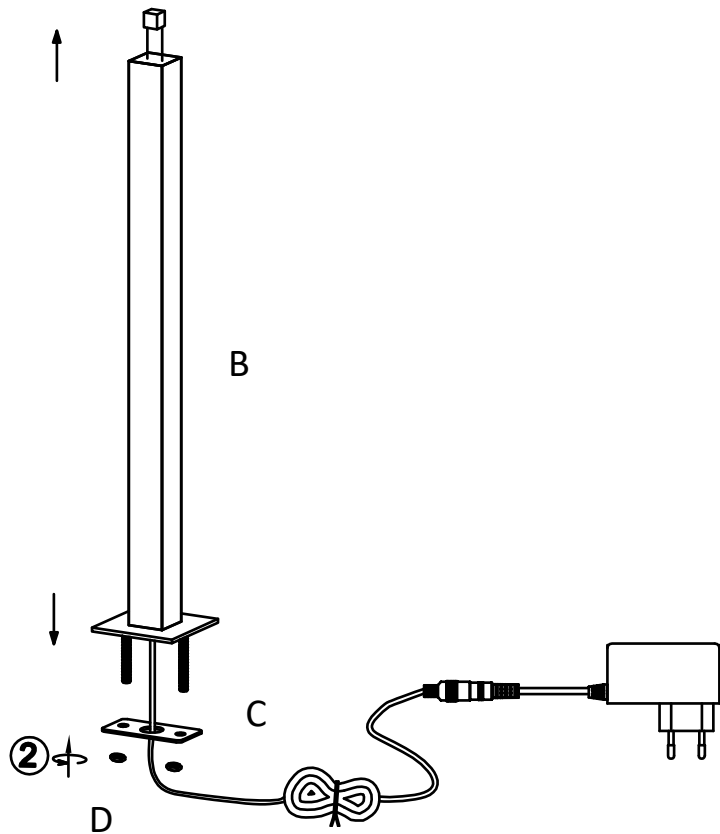
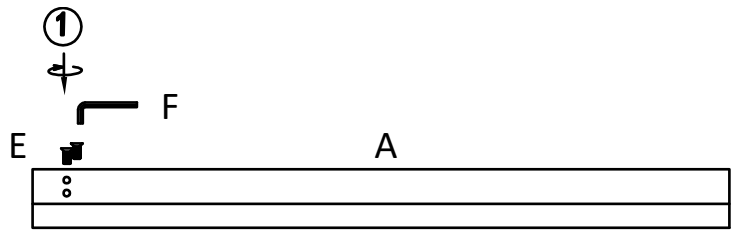
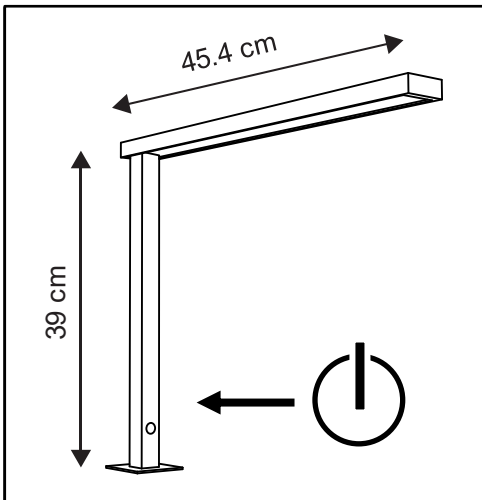
Fx1

Bx1

Cx1

Dx2

Ex2



## 30 products available on pCon Planner

You will be able to obtain data on many UNILUX or OFML standard products and integrate them quickly and easily into 3D space layouts via pCon.



## Download on our E-shop

Always available: photos in HD, data sheets, instruction manual, repairability instructions for all our products.



## Do you have any questions?

Our after-sales service is always at your disposal

Tèl: +33 1 81 86 06 03

E-mail: [contact.unilux@hamelinbrands.com](mailto:contact.unilux@hamelinbrands.com)

17 avenue du Parc TECHNOPOLIS

91380 Chilly Mazarin – France

Tèl: +33 1 81 86 06 00

[www.my-unilyx.com](http://www.my-unilyx.com)

E-mail: [contact.unilux@hamelinbrands.com](mailto:contact.unilux@hamelinbrands.com)

UNILUX