



UNILUX

---

BAÏA

# BAÏA white



Baia is the result of a close collaboration with Patrick JOUFFRET (Agence 360), a French designer in the wind. Baia turns on and off very easily thanks to the touch switch-dimmer located on the head. Flexibility and total fluidity of movements: head adjustable in all directions, large amplitude of the double arm, rotates 360 ° on the base. Baia is a very pleasant lamp to use on a daily basis.

BAÏA black





- **Handy:** thanks to its double-articulated swivel arm, this lamp is equipped with compensation springs facilitating its orientation in all directions.
- **Brightness:** with its 3 levels of brightness adjustable by touch button, this lamp is fully optimized for resting, reading, working. Choose the best light intensity for your activities.
- **Neo retro design:** this lamp evoking lamps with a classic period design has been restyled to be trendy and modern with an industrial style.
- **Protect your eyes:** this LED desk lamp provides you with quality and comfortable lighting because it is flicker-free. The lighting is pleasant for the eyes and thus reduces the effects of fatigue.
- **Stability:** its weighted base, ensures perfect stability of the lamp on your desk.
- **Contemporary design:** the sleek design of the head and the thinness of the arm give a pure and original line to the lamp. It adapts both in the office and at home.

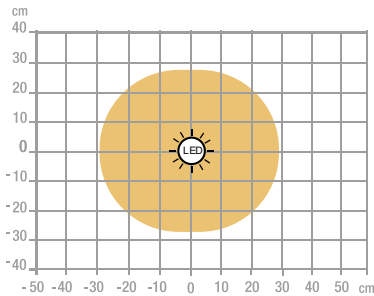
Warranty: 2 years  
 Max height: 85 cm/ minimum height: 45 cm  
 Materials: Steel base and head/arm in recyclable aluminum



Professional replaceable light source (LED only)

## Characteristics

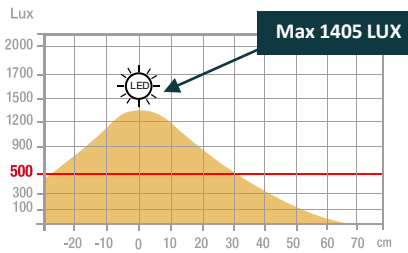
Measurement in Lux on the worktop view at 35 cm:



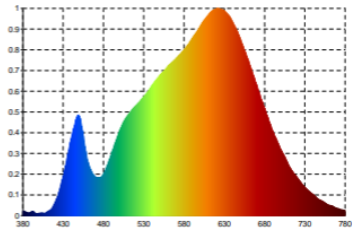
> 500 Lux

< 500 Lux

Measurement in Lux on the worktop in profile view at 35 cm:



Measurement in nanometers of the light spectrum



- 0 No-risk
- 1 Low-risk
- 2 Moderate-risk
- 3 High-risk

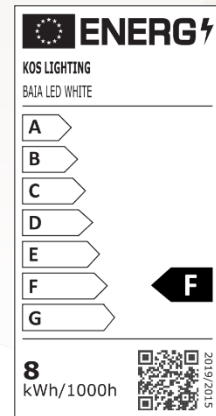
SAP no.	400023550	400023552
EAN code	3595560003891	3595560003921
Colors	White	Black
Luminous flow	644	644
Lux at 35cm	1405	1405
Lm/W	81	81
Color T° ( K )	3100	3100
CRI	93	93
Source Lifetime (h)	50 000	50 000
Energy consumption (kWh/1000 h)	8	8
USB Port	No	No
Inductive charger	No	No
Net weight (kg)	2.59	2.59



# OUR CSR COMMITMENTS

1. All our lighting are **100% repairable** thus limiting planned obsolescence.
2. Reduce our carbon footprint through our **ECO-DESIGN THINKING** approach.
3. Contribute to the preservation of the planet's natural resources by promoting the use of **recycled materials**.
4. Optimize our packaging to control our **transport costs**.
5. Highlight the **talent of our employees** by ensuring social equality.

## Energy class



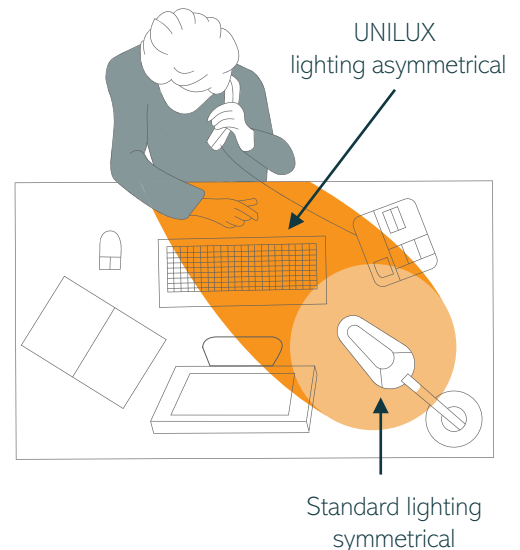
# OUR EXPERTISE

## 1-Why use auxiliary lighting?

We are regularly subjected to constant artificial lighting in the office, which takes no account of our biological rhythms. Poor lighting quality can cause headaches, sleep disorders and loss of concentration. According to a recent study, only 34% of offices achieve the level of illumination of 500 lux recommended by Occupational Medicine in accordance with DIN EN 12464-1\*.

## 2-How to light your workspace?

- Position the lamp head at least 35 cm above the worktop. work surface.
- Place the lamp on the opposite side to the hand that is holding the mouse or writing.
- Use lamps with asymmetrical lighting to reduce eyestrain, which can lead to eye irritation, headaches, loss of concentration, reduced productivity, etc.
- Position the lamp so that it is easy to adjust and so that the light is in the right place.
- Avoid reflections from shiny surfaces.
- Limit direct glare from bright light in the field of vision and indirect glare from bright light in the field of vision. in the field of vision and indirect glare from the reflection of light from the reflection of light in the field of vision, on a work surface walls or objects.



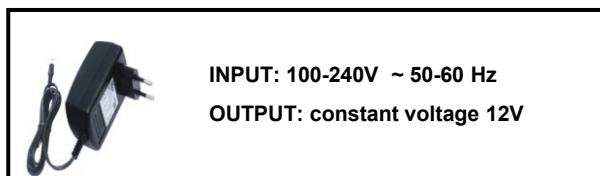
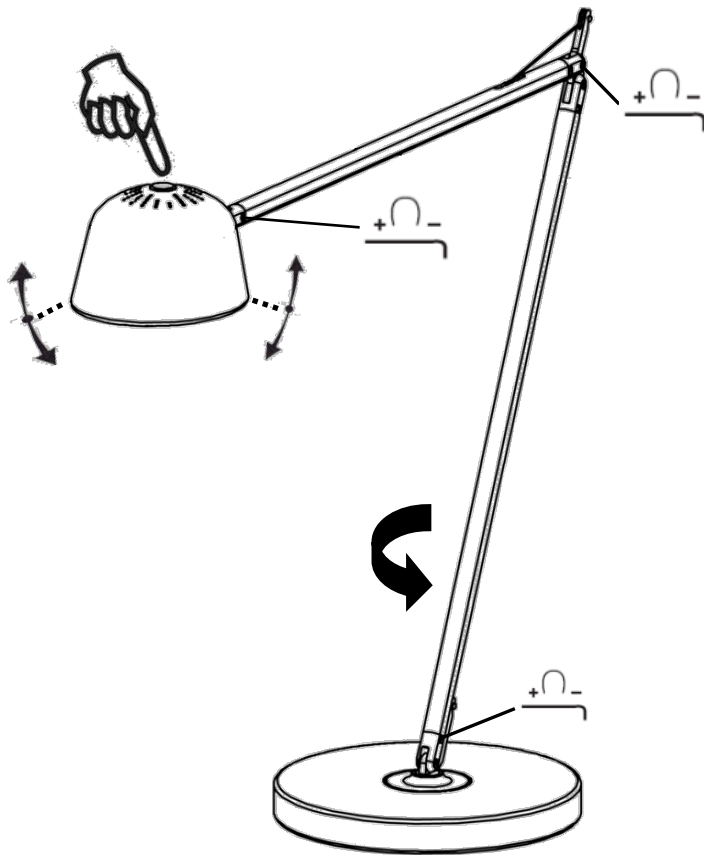
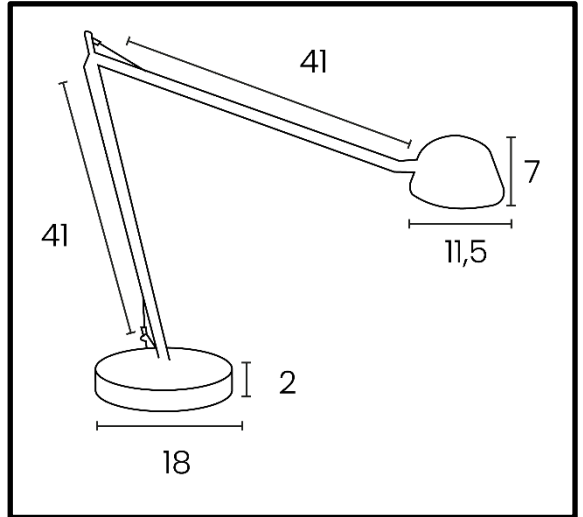
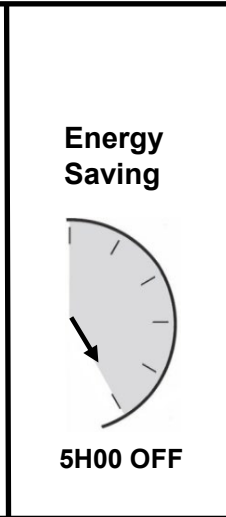
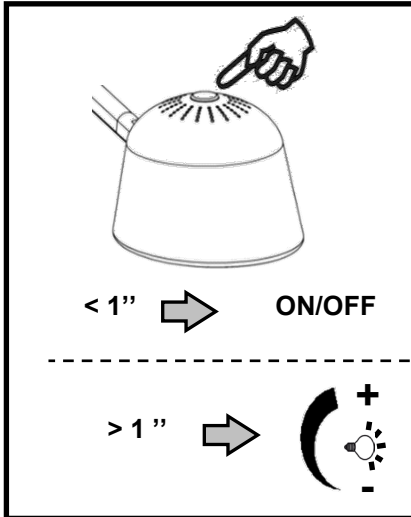
# OUR CERTIFICATIONS

Unilux is committed to an eco-responsible approach and ensures that its products respect this commitment. Indeed, we are very concerned about current environmental issues and we aspire to respond as best as possible to the concerns of our consumers on this subject. Sustainable development is at the heart of our strategy and we act for the environment. You will find below the different certifications that Unilux has and that prove its environmental commitment.



# UNILUX

\* DIN EN 12464-1 (DIN 5035-1): European standard which determines the lighting requirements for workstations in closed places, these satisfying the needs of comfort and visual performance. DIN EN 12464-1 replaced DIN 5035-1



## 30 products available on pCon Planner

You will be able to obtain data on many UNILUX or OFML standard products and integrate them quickly and easily into 3D space layouts via pCon.



## Download on our E-shop

Always available: photos in HD, data sheets, instruction manual, repairability instructions for all our products.



## Do you have any questions?

Our after-sales service is always at your disposal

Tèl: +33 1 81 86 06 03

E-mail: [contact.unilux@hamelinbrands.com](mailto:contact.unilux@hamelinbrands.com)

17 avenue du Parc TECHNOPOLES

91380 Chilly Mazarin – France

Tèl: +33 1 81 86 06 00

[www.my-unilyx.com](http://www.my-unilyx.com)

E-mail: [contact.unilux@hamelinbrands.com](mailto:contact.unilux@hamelinbrands.com)

UNILUX