



UNILUX

FLEXIBLE

FLEXIBLE black



The flexible LED e-reader impresses with its elegant lines, its universal and timeless design. Thanks to its 60 cm hose, sheathed in imitation leather, this e-reader is positionable in all directions, allowing its user to direct the luminous flux at his convenience, without difficulty

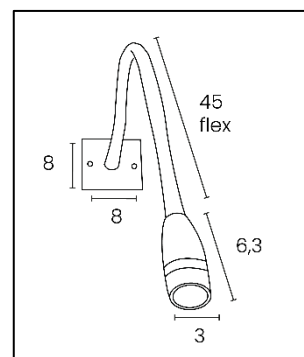
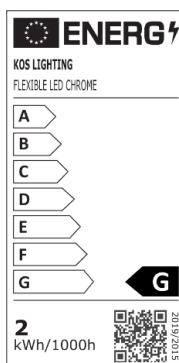
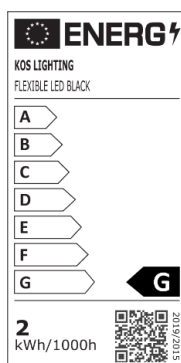
SWIVEL FLEXIBLE



- **Convenient to use:** The particularity of this product lies in the fact that its ignition is done by turning the head of the e-reader, an intuitive gesture and a concept that guarantees a long life of this luminaire.
- **Clean design:** it impresses with its elegant lines, universal and timeless **design.**
- **Protect your eyes:** this lamp is particularly suitable for reading, it does not attack the eyes and helps to create a calm and relaxing atmosphere.
- **Easily adjustable:** Thanks to its 60 cm hose, sheathed in imitation leather, this e-reader is positionable in all directions, allowing its user to orient the luminous flux at his convenience, without difficulty.

Warranty: 2 years

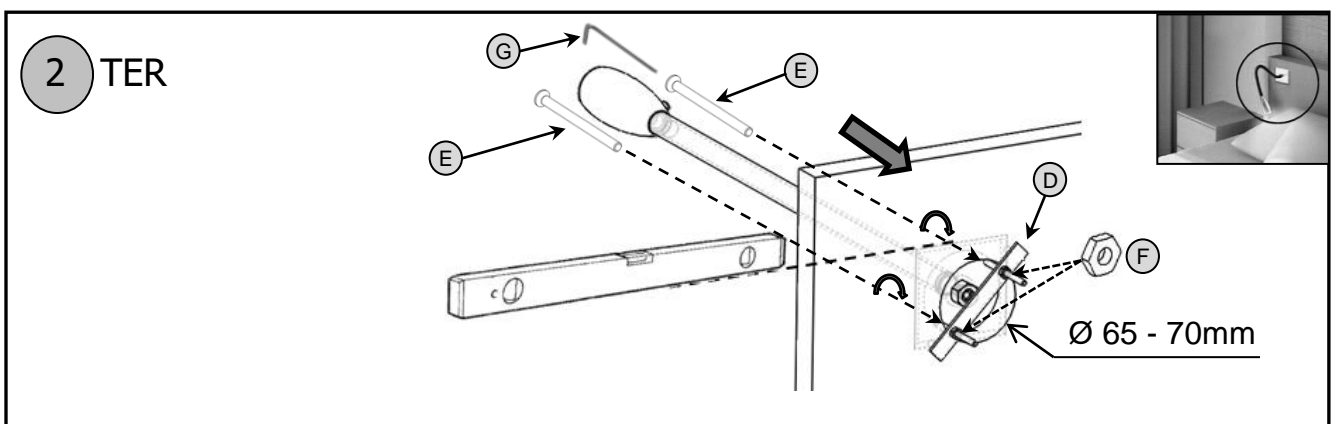
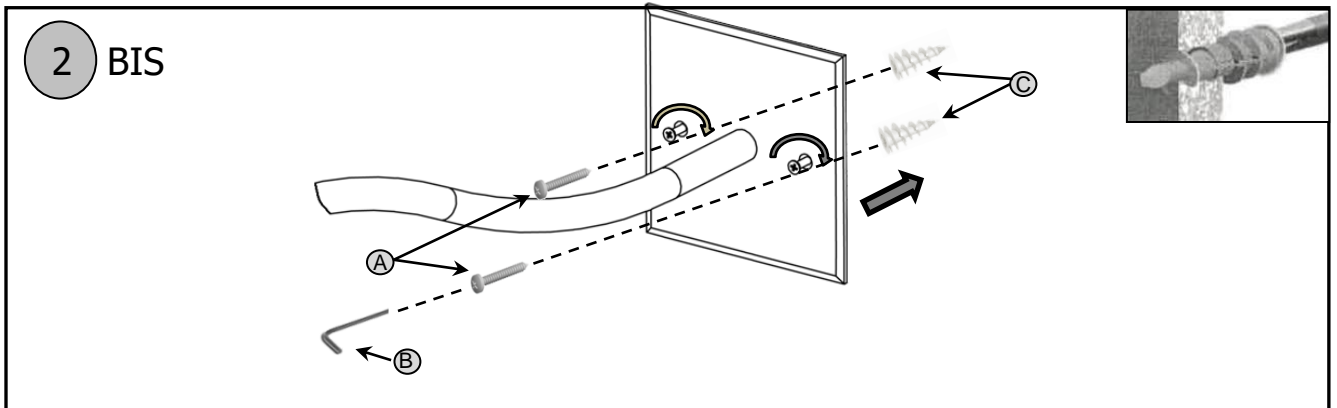
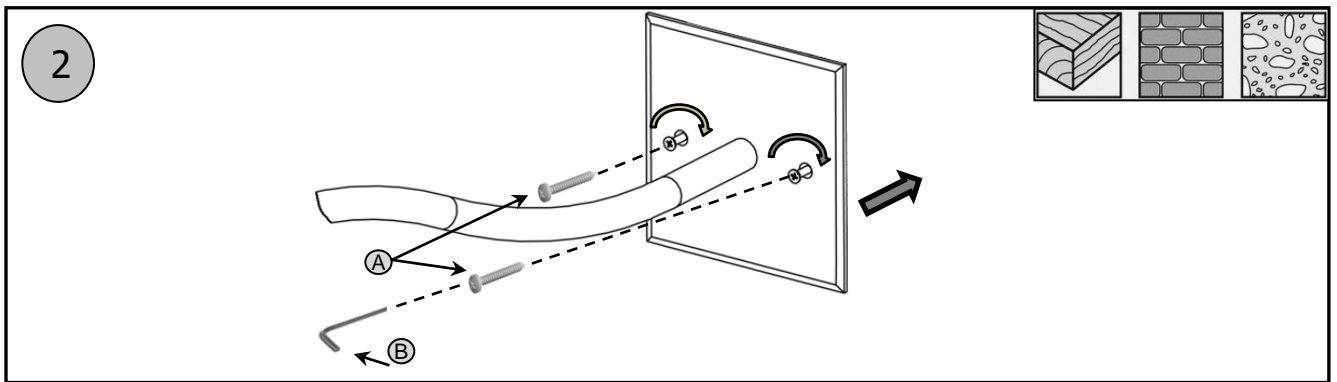
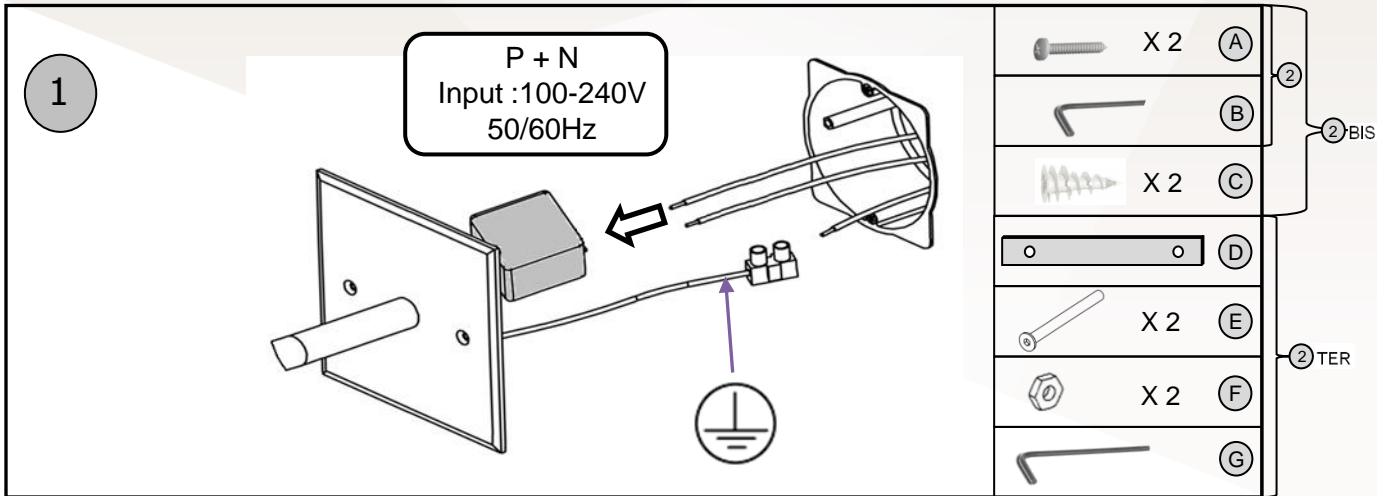
Materials: Steel and aluminum arms, aluminum or copper head, steel or copper plate. Imitation leather sheath.



Characteristics

| | | |
|---------------------------------|---------------|---------------|
| SAP no. | 400053382 | 400053383 |
| EAN code | 3595560010561 | 3595560010578 |
| Colors | Black | Chromium |
| Luminous flow | 50 | 50 |
| Lux at 35cm | / | / |
| Lm/W | 25 | 25 |
| Color T° (K) | 2900 | 2900 |
| CRI | 84 | 84 |
| Source Lifetime (h) | 50 000 | 50 000 |
| Energy consumption (kWh/1000 h) | 2 | 2 |
| USB Port | No | No |
| Inductive charger | No | No |
| Net weight (kg) | 590 g | 590 g |

USER GUIDE



30 products available on pCon Planner

You will be able to obtain data on many UNILUX or OFML standard products and integrate them quickly and easily into 3D space layouts via pCon.



Download on our E-shop

Always available: photos in HD, data sheets, instruction manual, repairability instructions for all our products.



Do you have any questions?

Our after-sales service is always at your disposal

Tèl: +33 1 81 86 06 03

E-mail: contact.unilux@hamelinbrands.com

17 avenue du Parc TECHNOPOLIS

91380 Chilly Mazarin – France

Tèl: +33 1 81 86 06 00

www.my-unilyx.com

E-mail: contact.unilux@hamelinbrands.com

UNILUX