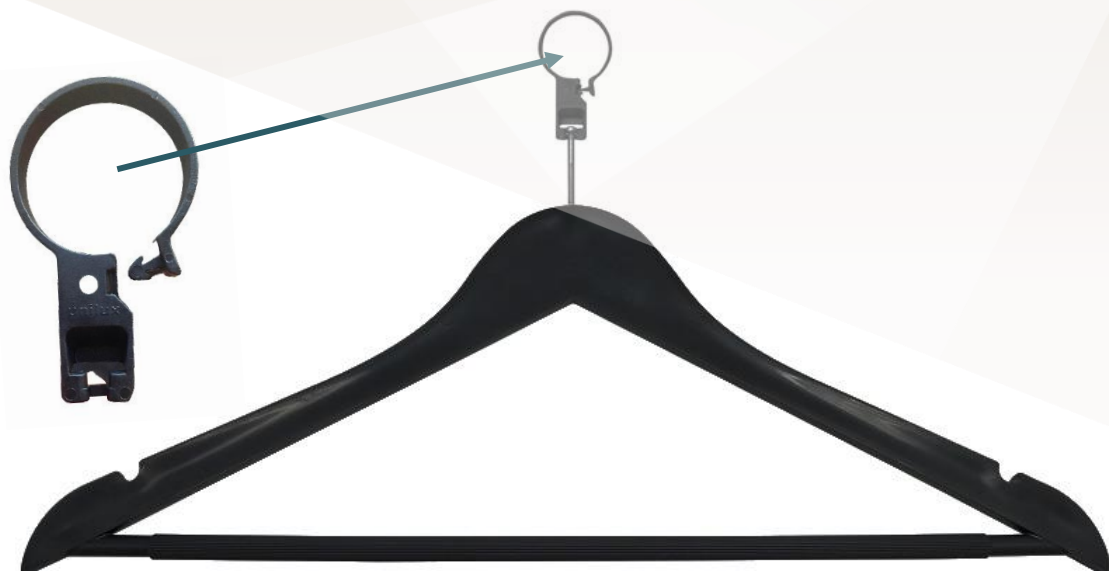




UNILUX

LOCKY & LOCKY PLUS

LOCKY & LOCKY PLUS

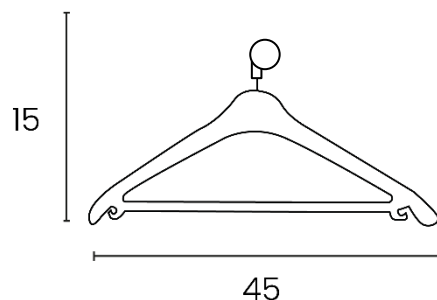


AN IDEAL COAT HANGERS FOR CHANGING ROOMS

LOCKY and LOCKY PLUS have a non-slip side bar for added functionality. Fitted with a clip-on plastic ring so you can add hangers without dismantling the rod. Its sturdy design makes it easy to handle heavy garments. Its curved lines prevent clothes from becoming distorted.

Supplied in packs of 20
Plastic hanger with crossbar
Materials: Steel/plastic

Discover our range of wood and plastic



SAP no.	Name	Color	Dimension of the hanger	Net weight pack	Warranty	EAN code	EA par carton
100340718	LOCKY	Black	L45x H23 cm	2 kg	2 years	3595560038237	1 set of 20
400173519	LOCKY PLUS	Black	L45x H23 cm	2 kg	2 years	3595560038237	1 set of 20

30 products available on pCon Planner

You will be able to obtain data on many UNILUX or OFML standard products and integrate them quickly and easily into 3D space layouts via pCon.



Download on our E-shop

Always available: photos in HD, data sheets, instruction manual, repairability instructions for all our products.



Do you have any questions?

Our after-sales service is always at your disposal

Tèl: +33 1 81 86 06 03

E-mail: contact.unilux@hamelinbrands.com

17 avenue du Parc TECHNOPOLES

91380 Chilly Mazarin – France

Tèl: +33 1 81 86 06 00

www.my-unilyx.com

E-mail: contact.unilux@hamelinbrands.com

UNILUX