

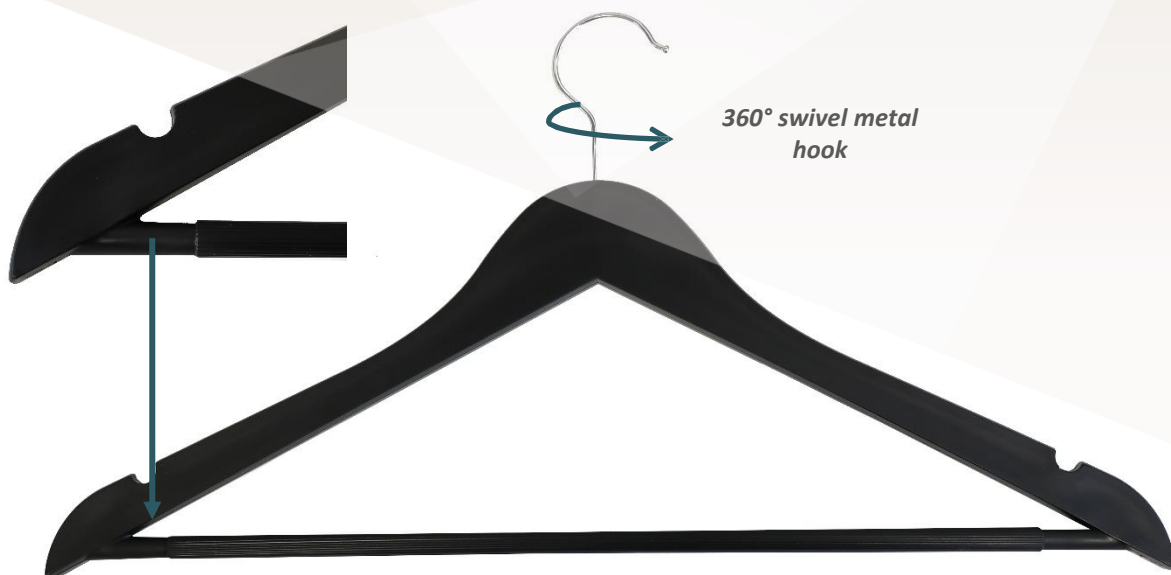


UNILUX

---

KLASSIK & KLASSIK PLUS

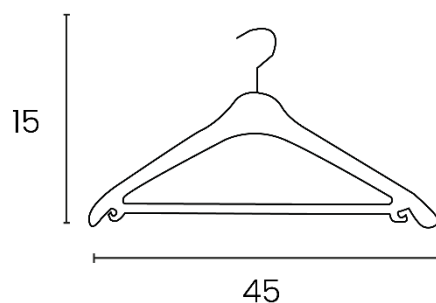
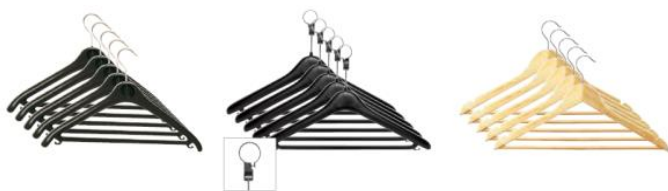
# KLASSIK & KLASSIK PLUS



**KLASSIK and KLASSIK PLUS** hangers feature a non-slip side bar for added functionality. Their robust design means they can easily accommodate heavy garments. Its curved lines prevent garments from becoming distorted..

Supplied in packs of 20  
 Plastic hanger with crossbar  
 Materials: Steel/plastic

**Discover our range of wood and plastic**



SAP no.	Name	Color	Dimension of the hanger	Net weight pack	Warranty	EAN code	EA par carton
100340719	KLASSIK	Black	L45x H15 cm	1 kg	2 years	3595560005024	1 set of 20
400173518	KLASSIK PLUS	Black	L45x H15 cm	1 kg	2 years	3595560038213	1 set of 20

## 30 products available on pCon Planner

You will be able to obtain data on many UNILUX or OFML standard products and integrate them quickly and easily into 3D space layouts via pCon.



## Download on our E-shop

Always available: photos in HD, data sheets, instruction manual, repairability instructions for all our products.



## Do you have any questions?

Our after-sales service is always at your disposal

Tèl: +33 1 81 86 06 03

E-mail: [contact.unilux@hamelinbrands.com](mailto:contact.unilux@hamelinbrands.com)

17 avenue du Parc TECHNOPOLES

91380 Chilly Mazarin – France

Tèl: +33 1 81 86 06 00

[www.my-unilyx.com](http://www.my-unilyx.com)

E-mail: [contact.unilux@hamelinbrands.com](mailto:contact.unilux@hamelinbrands.com)

UNILUX