



UNILUX

ERGO STATION

ERGO STATION

- **Health and Wellness:** consisting of an ergonomic screen-holder arm, easy to use, it improves your posture and relieves your cervical vertebrae by adjusting the screen to a distance, height and angles according to your needs.
- **A structured desk:** This versatile ergonomic desktop organizer has various storage spaces such as a vertical A4 stand, a slot for the mobile phone, and a pot for storing pens. The space freed up on your desk helps to bring you a better organization in your work.
- **Flexibility:** equipped with gas spring, it adjusts effortlessly and keeps your screen with perfect viewing angle. It is capable of rotating 360° for landscape or portrait view, tilting and is easily extendable in height to 45 cm max. and forward to 42 cm max.
- **"Well-thought-out" design:** the combination of aluminum and steel allows it to integrate any style of workspace.
- **The + product:** with a maximum length of 125 cm it will easily adapt to any type of desk from 140 – 160 – 180 cm wide.
- **Easy and fast installation:** with its two robust vise type desk clamps to fix behind the desk for maximum amplitude. A desk thickness is suggested = 1 to 5 cm (supplied with an Allen key)

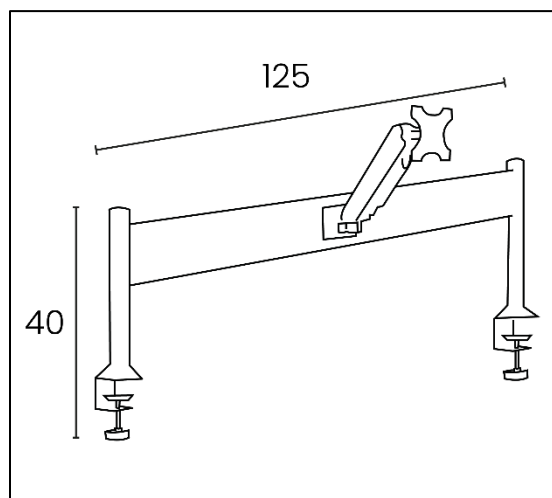
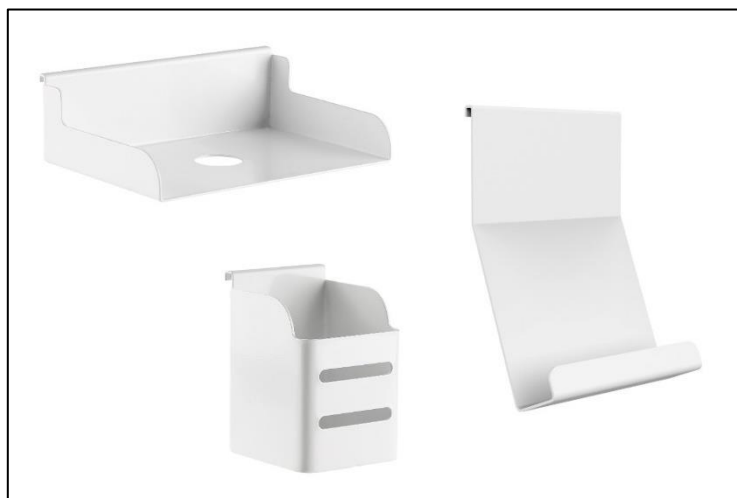


Supports a screen weighing up to 7 Kg and size up to 27"

Dimensions: width: 125 cm/ height: 40 cm

VESA standard*: Suitable for a display with 75 x 75 mm or 100 x 100 mm VESA mounting holes.

Materials: aluminum structure / accessories in superior steel with Epoxy paint finish.



Characteristics

SAP no.	400124600
Color	White
Dimensions	125 cm x 40 cm x 12 cm
Warranty	2 years
Net weight	8,08 kg
USB ports	No
EAN code	3595560029884

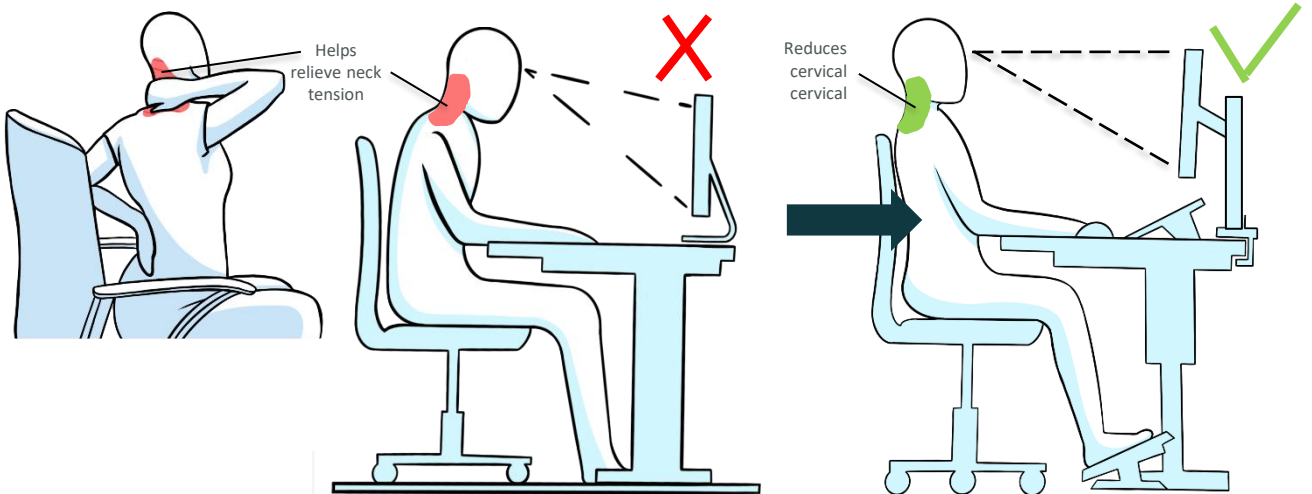
OUR CSR COMMITMENTS

1. All our lighting are **100% repairable** thus limiting planned obsolescence.
2. Reduce our carbon footprint through our **ECO-DESIGN THINKING** approach.
3. Contribute to the preservation of the planet's natural resources by promoting the use of **recycled materials**.
4. Optimize our packaging to control our **transport costs**.
5. Highlight the **talent of our employees** by ensuring social equality.

OUR EXPERTISE

Why use a monitor stand or laptop riser?

These days, more and more people use several screens to accomplish their tasks, so you need to know whether your working position is suitable and ergonomic. Are you sitting up straight? Do you feel that your neck is in its natural, relaxed position? When you look at your screen, do you keep your gaze straight, without looking up or down? If the answer to these simple questions is no, it's high time you bought yourself a laptop stand with a screen riser or even a screen support arm. These will enable you to align your eyes correctly with the top of your screen and prevent RSI by reducing neck strain.



OUR CERTIFICATIONS

Unilux is committed to an eco-responsible approach and ensures that its products respect this commitment. Indeed, we are very concerned about current environmental issues and we aspire to respond as best as possible to the concerns of our consumers on this subject. Sustainable development is at the heart of our strategy and we act for the environment. You will find below the different certifications that Unilux has and that prove its environmental commitment.





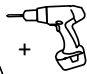
USER GUIDE

○

Person icon x1

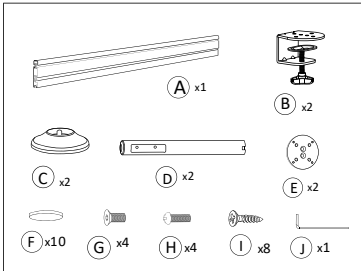
Stopwatch icon 6 min

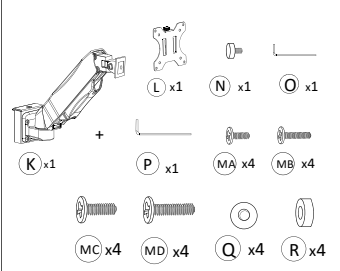
Supplied  **Option A**

Person icon with question marks **Supplied**   **Option B**




www.my-unilux.com

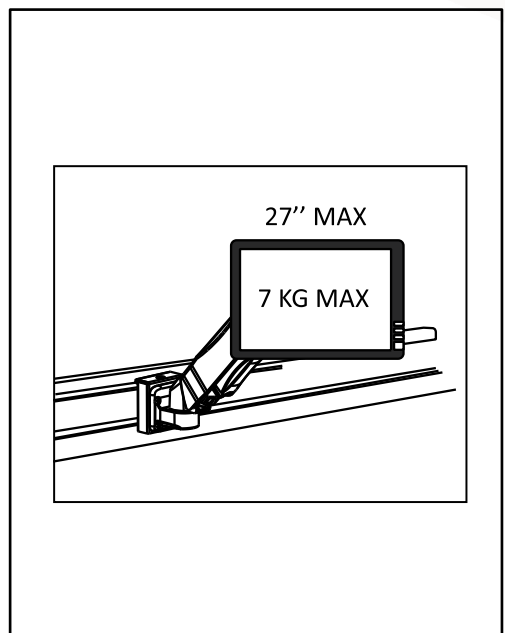
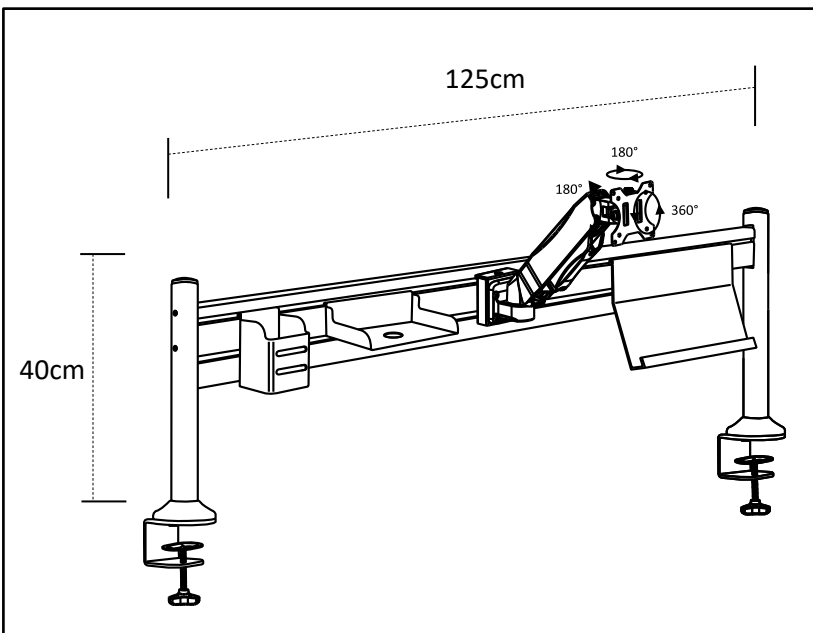
⚙️



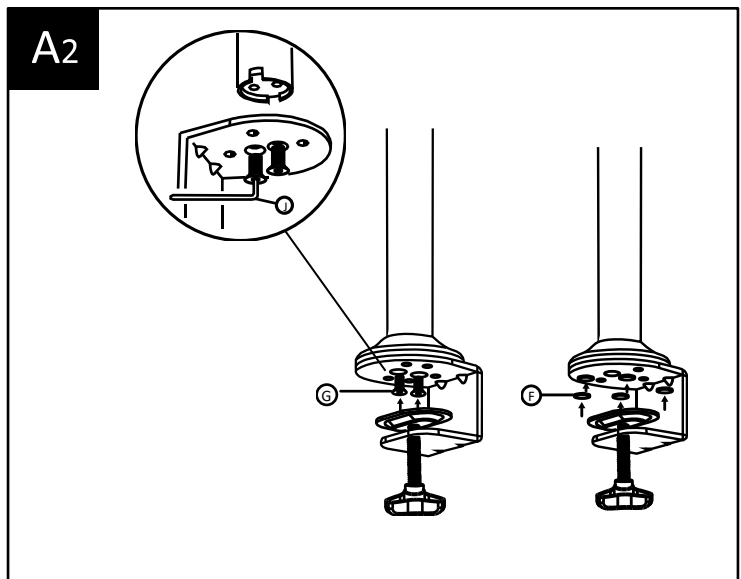
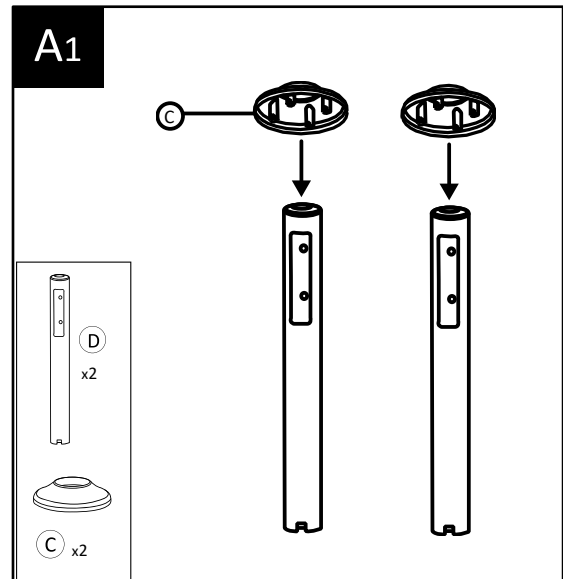


+

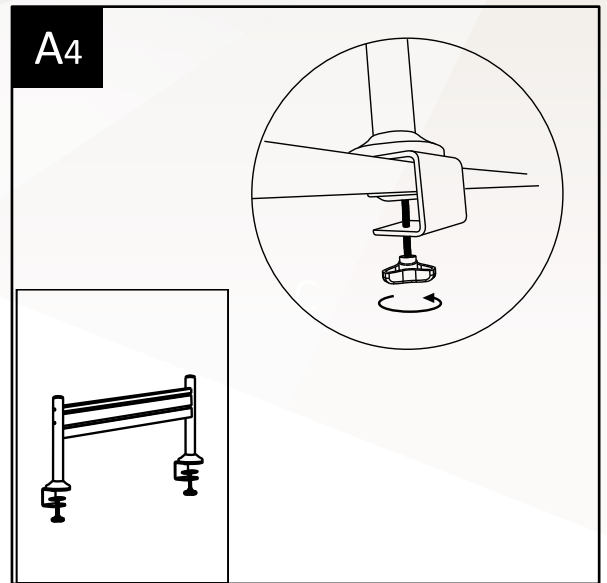
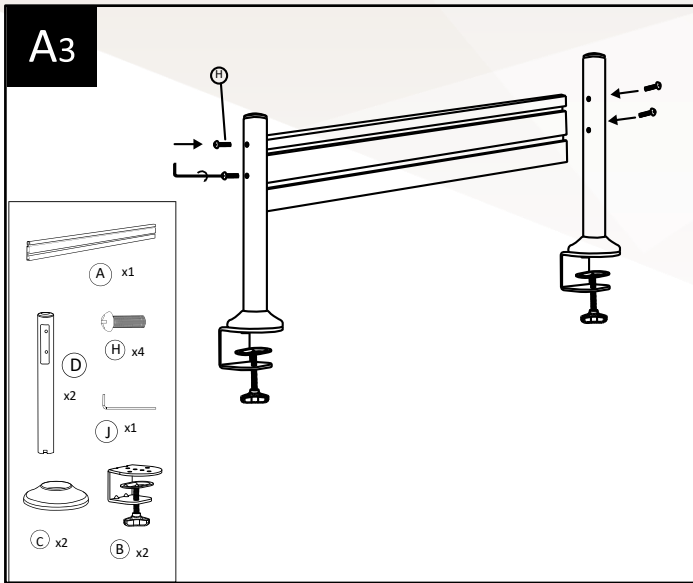
 x1
  x2
  x1



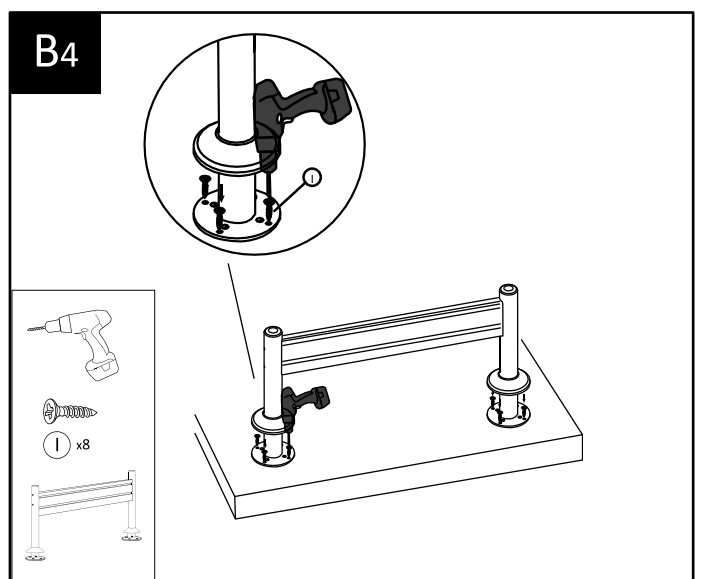
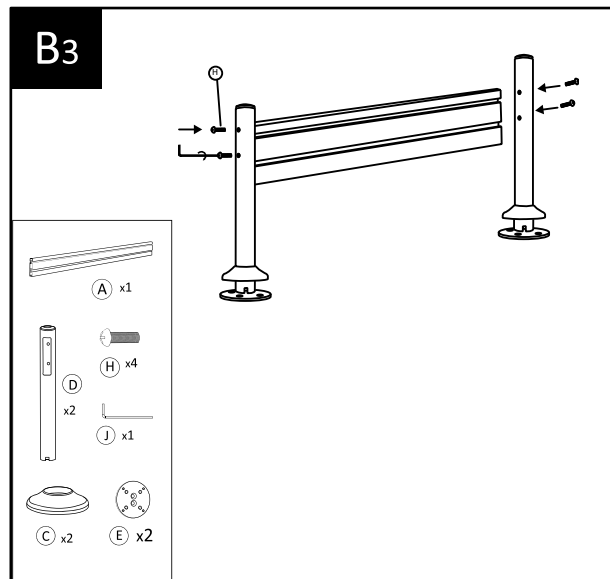
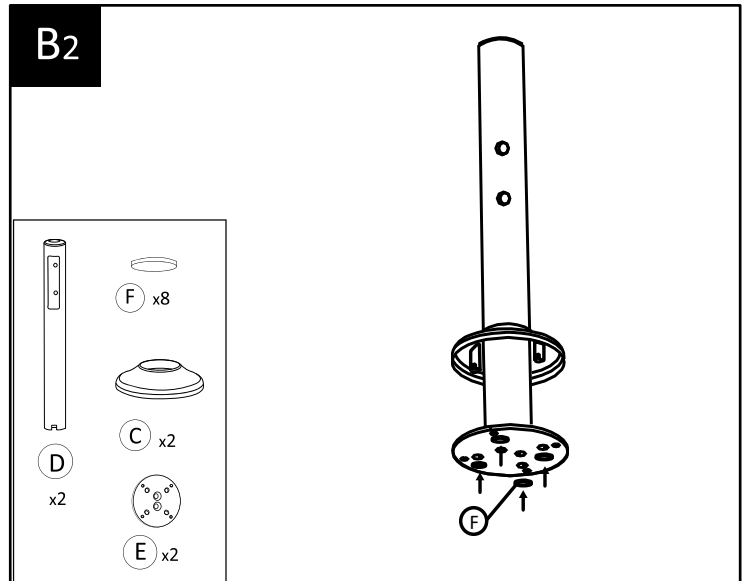
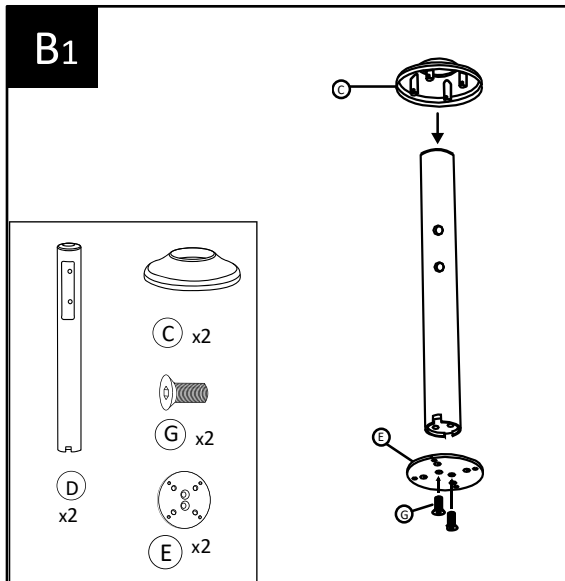
TWO OPTIONS : A or B



USER GUIDE



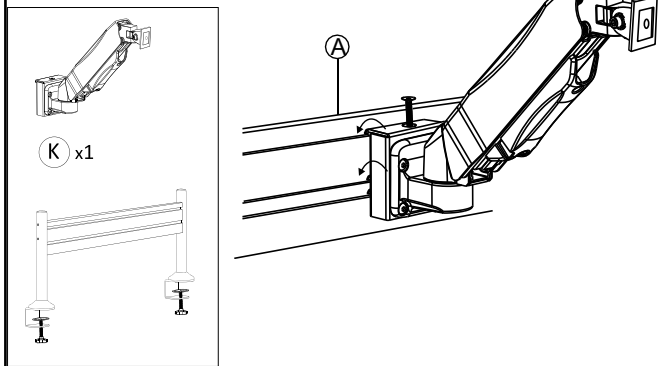
OR



Screen arm installation

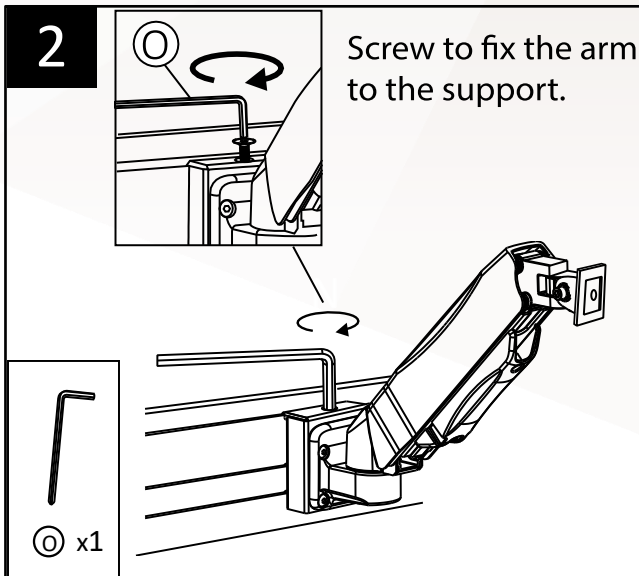
1

Clip the arm on the support A.

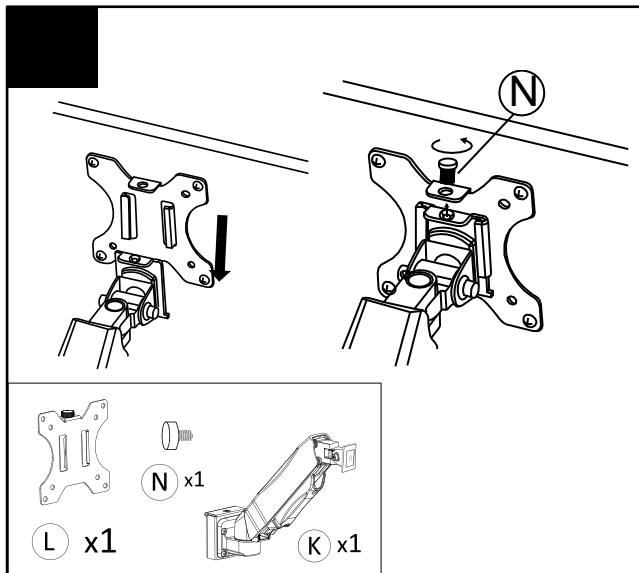
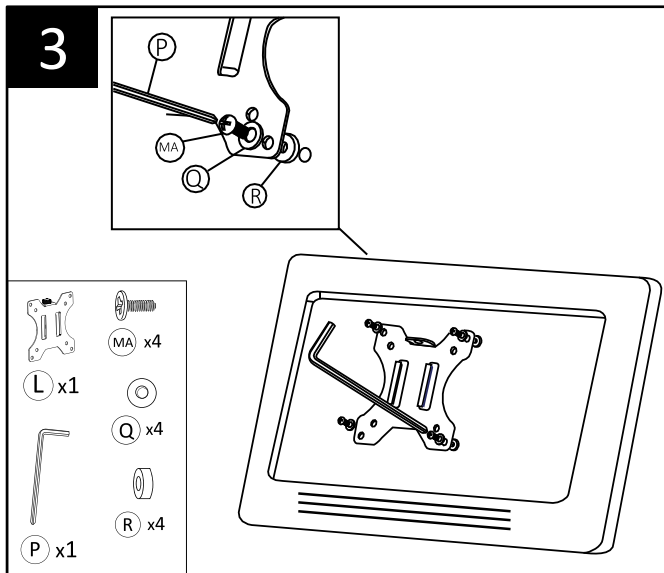


2

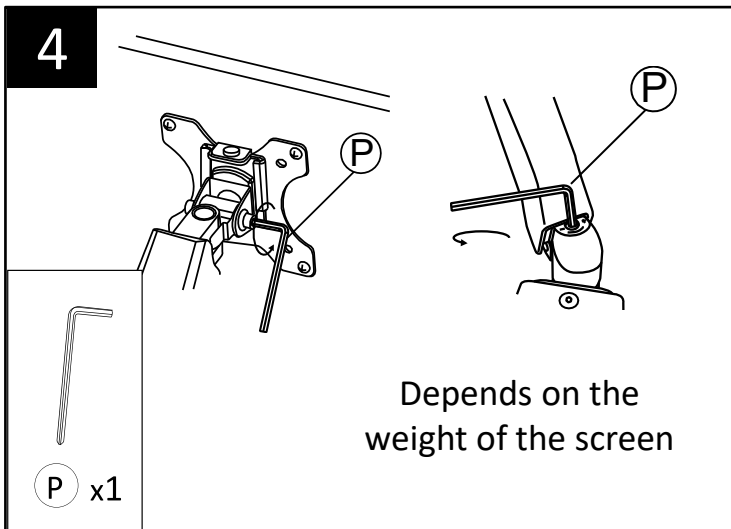
Screw to fix the arm to the support.



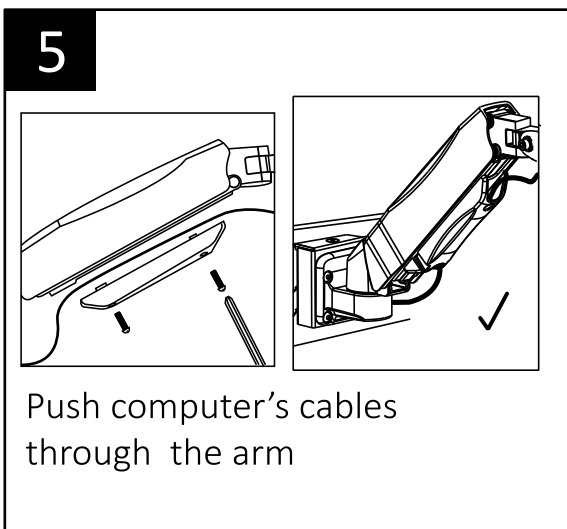
3



4



5



30 products available on pCon Planner

You will be able to obtain data on many UNILUX or OFML standard products and integrate them quickly and easily into 3D space layouts via pCon.



Download on our E-shop

Always available: photos in HD, data sheets, instruction manual, repairability instructions for all our products.



Do you have any questions?

Our after-sales service is always at your disposal

Tèl: +33 1 81 86 06 03

E-mail: contact.unilux@hamelinbrands.com

17 avenue du Parc TECHNOPOLIS

91380 Chilly Mazarin – France

Tèl: +33 1 81 86 06 00

www.my-unilyx.com

E-mail: contact.unilux@hamelinbrands.com

UNILUX