



UNILUX

PURELINE

PURELINE white



The PURELINE lamp translates a new generation of ergonomic desk lamp that offers a large amplitude of light, a personalized lighting of quality thanks to its large rotating head with innovative and efficient design.



- **Innovation:** a new generation of ergonomic desk lamp that offers a large light amplitude. Quality personalized lighting thanks to its large rotating head with an innovative design.
- **Dimming the light intensity and color temperature:** On the base, two touch switches allow you to dim the light intensity steplessly and adjust the color temperature in 3 levels. Adapt your lighting according to your activity (rest, reading, work).
- **A pure and modern design:** PURELINE is distinguished by a design with fine and clean lines. Its head does not exceed 2 cm in thickness which gives it an elegant character.
- **Intelligent:** according to the ambient light in your workspace, the lamp adapts its lighting for better visual comfort, thanks to its light sensor.
- **Soft Lighting:** It will better protect your vision, reduce your eyes fatigue.
- **Flexibility:** With its +/- 180° rotating head, 150° adjustable arm, this light can be used in many positions and its base is specially designed to provide excellent stability.

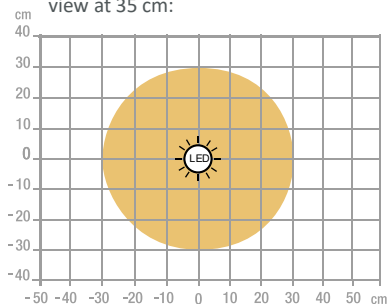
Warranty: 2 years
 Max height: 46 cm / minimum height: 25 cm
 Materials: aluminum arm/base and plastic head



Professional replaceable light source (LED only)

Characteristics

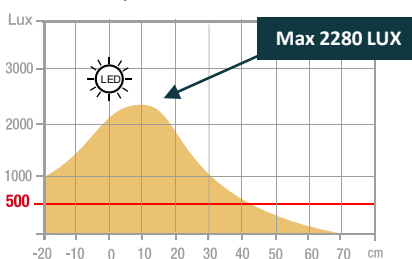
Measurement in Lux on the worktop view at 35 cm:



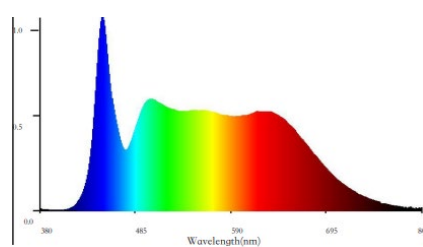
> 500 Lux

< 500 Lux

Lux measurement on the work surface in profile view at 35 cm:



Measurement in nanometers of the light spectrum



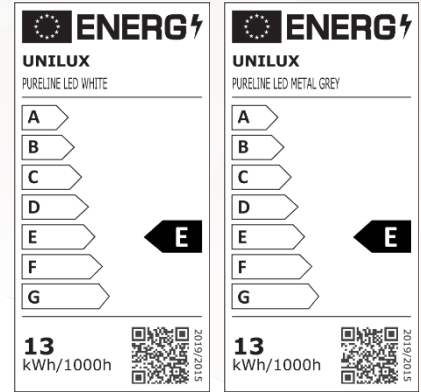
- 0 No-risk
- 1 Low-risk
- 2 Moderate-risk
- 3 High-risk

SAP no.	400165091	400172851
EAN code	3595560034581	3595560037780
Colors	White	Grey metal
Luminous flow	1357	1357
Lux at 35cm	2280 cm	2280 cm
Lm/W	104	104
Color T* (K)	3300/4200/5800	3300/4200/5800
CRI	>97	>97
Source Lifetime (h)	50 000	50 000
Energy consumption (kWh/1000 h)	13	13
USB Port	No	No
Inductive charger	No	No
Net weight (kg)	1.45	1.45

OUR CSR COMMITMENTS

1. All our lighting are **100% repairable** thus limiting planned obsolescence.
2. Reduce our carbon footprint through our **ECO-DESIGN THINKING** approach.
3. Contribute to the preservation of the planet's natural resources by promoting the use of **recycled materials**.
4. Optimize our packaging to control our **transport costs**.
5. Highlight the **talent of our employees** by ensuring social equality.

Energy class



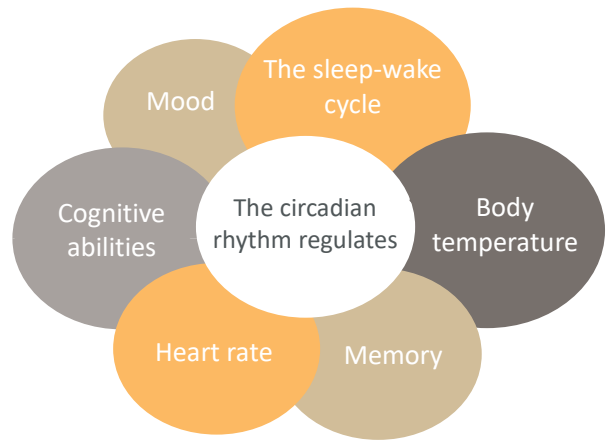
OUR EXPERTISE

1-Why use accent lighting?

We are regularly subjected to constant artificial lighting in the office that does not take into account our biological rhythm. Poor lighting quality can cause headaches, sleep disorders, loss of concentration. According to a recent study, only 34% of offices reach the lighting level of 500 lux recommended by Occupational Medicine.

2-Biodynamic light: source of well-being!

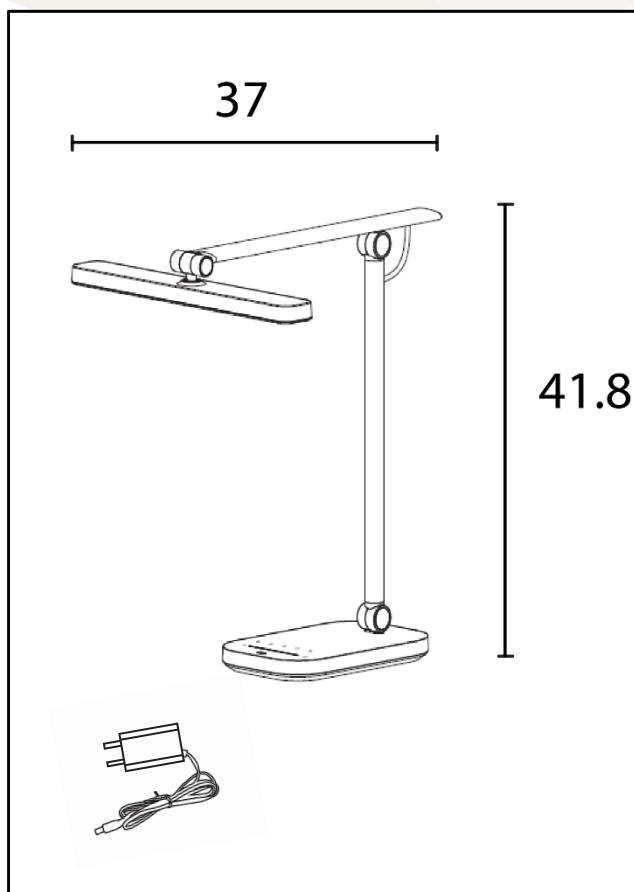
An adapted biodynamic light that accompanies you on a daily basis is essential to be effective in your work, your projects in order to prevent any harmful consequences produced by poor lighting. Your productivity will be greatly improved, you will be more dynamic and in a better mood. This is the reason why each individual must carefully follow his "circadian rhythm". The circadian rhythm is a biological rhythm that governs a set of physiological processes in humans. It is regulated by light for 24 hours.



OUR CERTIFICATIONS

Unilux is committed to an eco-responsible approach and ensures that its products respect this commitment. Indeed, we are very concerned about current environmental issues and we aspire to respond as best as possible to the concerns of our consumers on this subject. Sustainable development is at the heart of our strategy and we act for the environment. You will find below the different certifications that Unilux has and that prove its environmental commitment.





FEATURES

- ◆ Simple design with a touch button
- ◆ Five steps dimming brightness
- ◆ 3 CCT Modes
- ◆ Auto Light-sensing mode
- ◆ 1h timer
- ◆ Delayed shutdown
- ◆ Night light function
- ◆ Memory function

Touch Control

5 Steps Dimming

3 CCT Modes

One Hour Timer

Auto Light-Sensing

Night Light

Table lamp normal use angle

Normal use angle range of lamp holder and lamp arm:
When adjusting the angle of the lamp head, press the base at the same time.

Note: The illustration is for reference only, please refer to the actual product for details

OPERATION GUIDE

■ ON/OFF key: Click the button shortly for light on/off; When the light on, Pressing the button longer for 2 seconds, the button backlight will start to breathe and blink, it means the delayed shutdown function starts, then the light will turn off after 1 minute

30 products available on pCon Planner

You will be able to obtain data on many UNILUX or OFML standard products and integrate them quickly and easily into 3D space layouts via pCon.



Download on our E-shop

Always available: photos in HD, data sheets, instruction manual, repairability instructions for all our products.



Do you have any questions?

Our after-sales service is always at your disposal

Tèl: +33 1 81 86 06 03

E-mail: contact.unilux@hamelinbrands.com

17 avenue du Parc TECHNOPOLES

91380 Chilly Mazarin – France

Tèl: +33 1 81 86 06 00

www.my-unilyx.com

E-mail: contact.unilux@hamelinbrands.com

UNILUX