



UNiLUX

VENUSLIGHT

VENUSLIGHT



The VENUSLIGHT lamp is an innovation because it is a new generation of ergonomic desk lamp that offers a wide range of motion allowing quality lighting thanks to its long head with an innovative and efficient design.

VENUSLIGHT



- **Innovation:** a new generation of ergonomic desk lamp that offers a wide range of movement for high quality lighting thanks to its large, innovative design.
- **Flexible thanks to its folding arms:** With these 2 quality joints, the lamp can be used in many positions according to your needs and your morphology.
- **Variable light intensity and color temperature:** two touch-switches on the base allow the light intensity to be infinitely varied and one allows the color temperature to be infinitely adjusted. Adapt your lighting to your activity (resting, reading, working).
- **A pure and modern design:** VENUSLIGHT is distinguished by a design with fine and pure lines. Its head is only 2 cm thick, which gives it an elegant character.
- **Intelligent:** depending on the ambient light in your workspace, the lamp adapts its light for better visual comfort, thanks to its brightness sensor.
- **Motion sensor:** Automatically switches on when the lamp detects movement. Optimal and uniform light distribution thanks to its daylight LEDs: it will better protect your vision, reduce fatigue of your eyes
- **More space:** Supplied with a clamp with a maximum distance of 4cm. VENUSLIGHT will allow you to gain more space on your desk.

Warranty: 2 years

Maximum height: 67 cm / minimum height: 25 cm

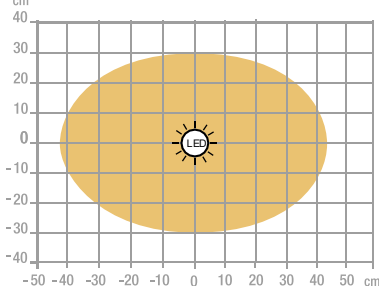
Materials: aluminum clamp/arm and head in plastic/ metal joint



Professional replaceable light source (LED only)

Characteristics

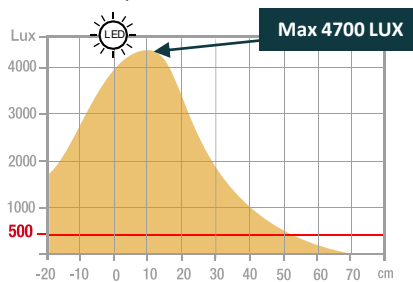
Measurement in Lux on the worktop view at 35 cm:



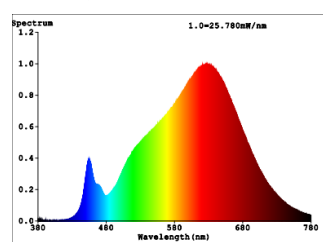
> 500 Lux

< 500 Lux

Lux measurement on the work surface in profile view at 35 cm:



Measurement in nanometers of the light spectrum



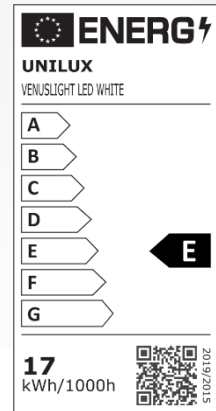
- 0 No-risk
- 1 Low-risk
- 2 Moderate-risk
- 3 High-risk

SAP no.	400165033
EAN code	3595560034420
Colors	White
Luminous flow	1720
Lux at 35cm	4700
Lm/W	101
Color T° (K)	2700K at 5000
CRI	93
Source Lifetime (h)	50000
Energy consumption (kWh/1000 h)	17
USB Port	No
Inductive charger	No
Net weight (kg)	0,88

OUR CSR COMMITMENTS

1. All our lighting are **100% repairable** thus limiting planned obsolescence.
2. Reduce our carbon footprint through our **ECO-DESIGN THINKING** approach.
3. Contribute to the preservation of the planet's natural resources by promoting the use of **recycled materials**.
4. Optimize our packaging to control our **transport costs**.
5. Highlight the **talent of our employees** by ensuring social equality.

Energy class



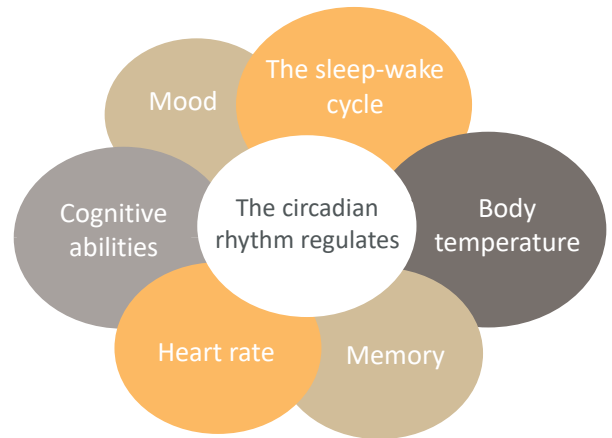
OUR EXPERTISE

1-Why use accent lighting?

We are regularly subjected to constant artificial lighting in the office that does not take into account our biological rhythm. Poor lighting quality can cause headaches, sleep disorders, loss of concentration. According to a recent study, only 34% of offices reach the lighting level of 500 lux recommended by Occupational Medicine.

2-Biodynamic light: source of well-being!

An adapted biodynamic light that accompanies you on a daily basis is essential to be effective in your work, your projects in order to prevent any harmful consequences produced by poor lighting. Your productivity will be greatly improved, you will be more dynamic and in a better mood. This is the reason why each individual must carefully follow his "circadian rhythm". The circadian rhythm is a biological rhythm that governs a set of physiological processes in humans. It is regulated by light for 24 hours.

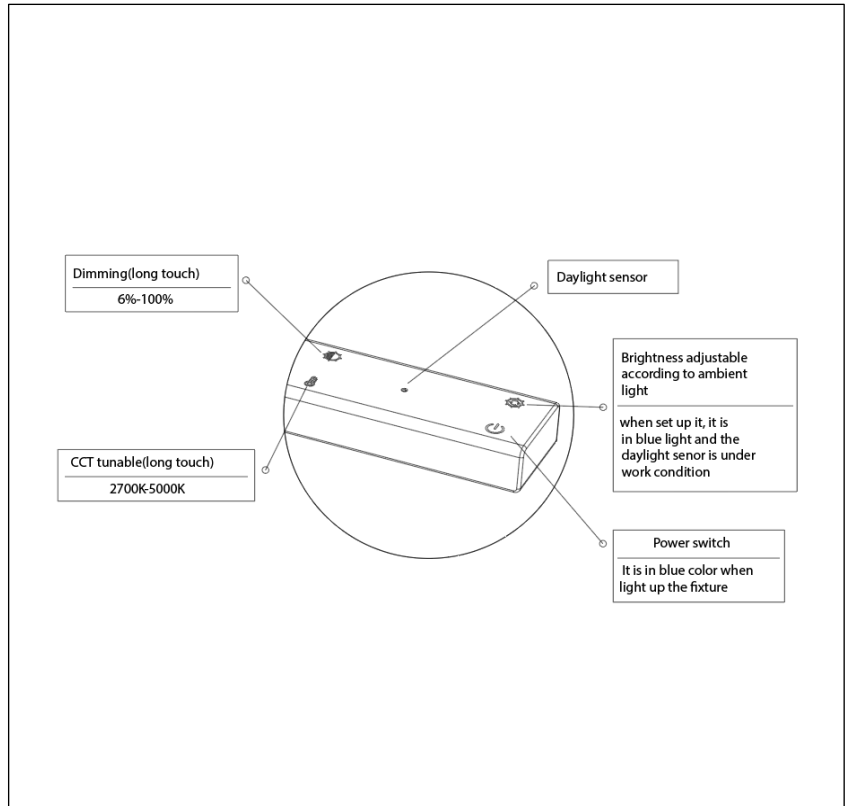
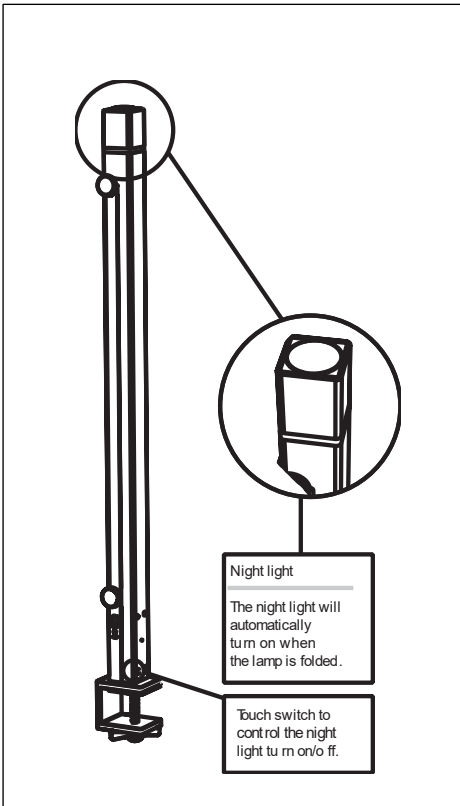
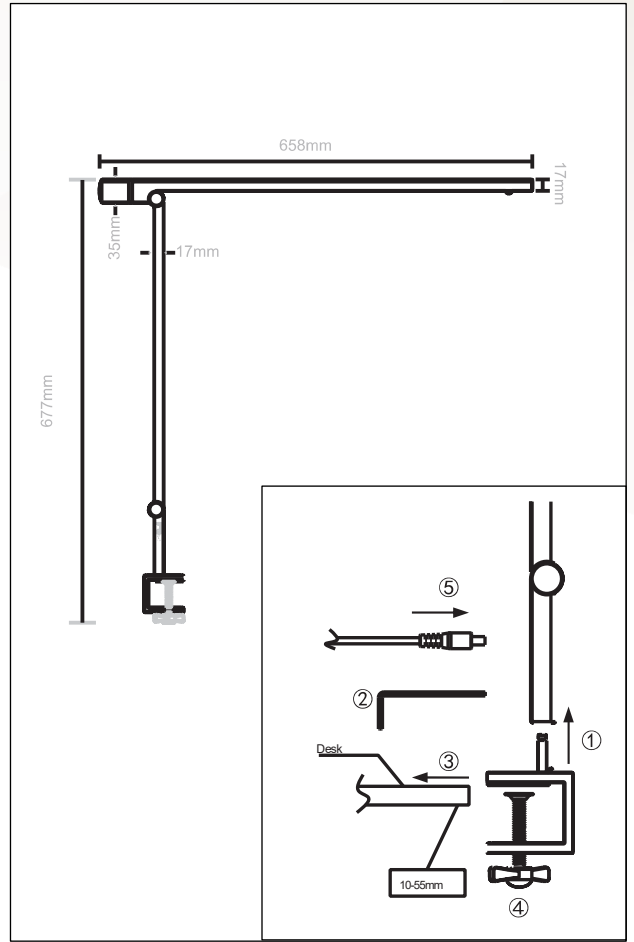
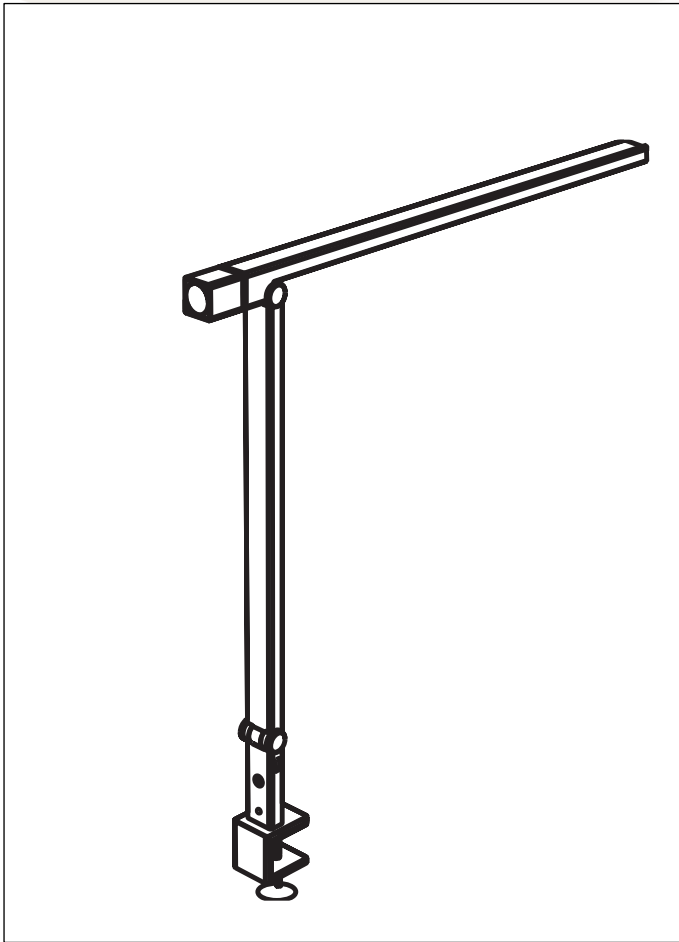


OUR CERTIFICATIONS

Unilux is committed to an eco-responsible approach and ensures that its products respect this commitment. Indeed, we are very concerned about current environmental issues and we aspire to respond as best as possible to the concerns of our consumers on this subject. Sustainable development is at the heart of our strategy and we act for the environment. You will find below the different certifications that Unilux has and that prove its environmental commitment.



USER GUIDE



30 products available on pCon Planner

You will be able to obtain data on many UNILUX or OFML standard products and integrate them quickly and easily into 3D space layouts via pCon.



Download on our E-shop

Always available: photos in HD, data sheets, instruction manual, repairability instructions for all our products.



Do you have any questions?

Our after-sales service is always at your disposal

Tèl: +33 1 81 86 06 03

E-mail: contact.unilux@hamelinbrands.com

17 avenue du Parc TECHNOPOLES

91380 Chilly Mazarin – France

Tèl: +33 1 81 86 06 00

www.my-unilyx.com

E-mail: contact.unilux@hamelinbrands.com

UNILUX