



UNILUX

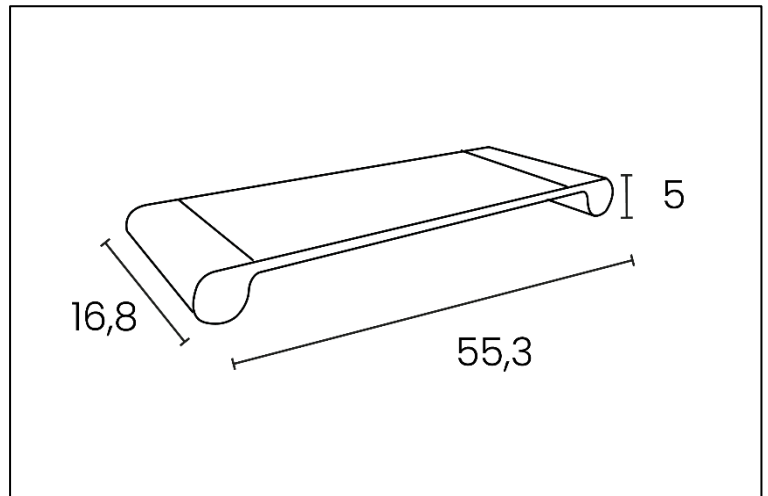
STUDY

STUDY



- **Design:** Modern, Study is a simple and elegantly designed office accessory. After a long day of work, simply slide your keyboard into the designated space under the shelf and store your keys, pens on top. It can also be used as a laptop stand with good heat dissipation.
 - **Ergonomics:** Study will allow you to adjust the height of your screen position in order to adapt an ergonomic posture that will significantly reduce: fatigue, back pain and neck tension, well-being in the office
- The + product:** STUDY is equipped with 4 USB ports to charge smartphones, tablets, or nomadic speakers.
USB cable not included

Materials: Anodized aluminum, ABS



Characteristics

SAP no.	400095491
Color	White/Anodized Aluminum
Dimensions	55,3 x 16,8 x 5 cm
Warranty	2 years
Net weight	0,94 kg
USB ports	Yes
EAN code	3595560025848

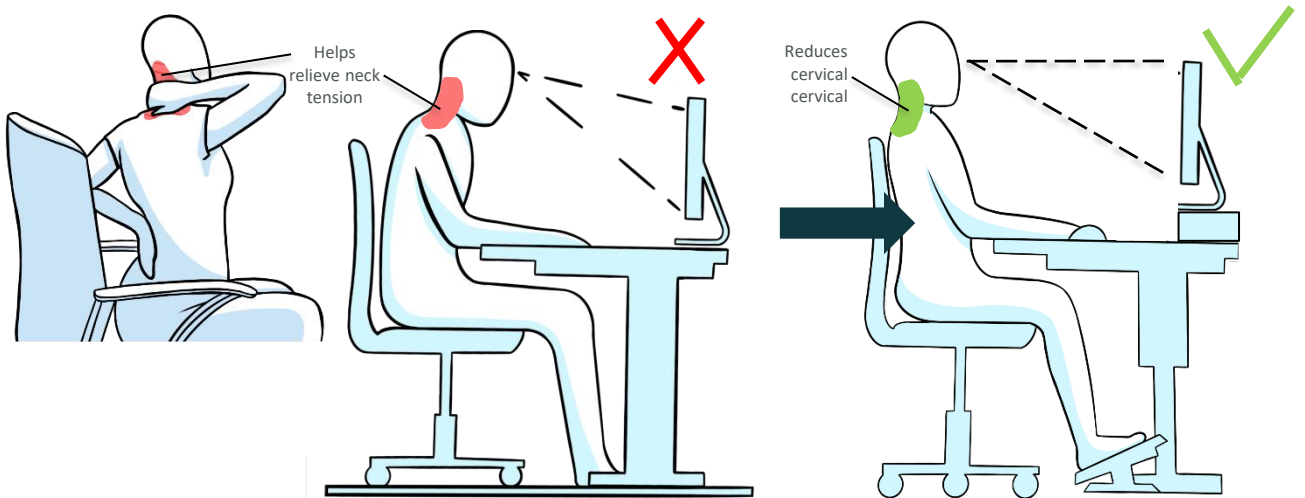
OUR CSR COMMITMENTS

1. All our lighting are **100% repairable** thus limiting planned obsolescence.
2. Reduce our carbon footprint through our **ECO-DESIGN THINKING** approach.
3. Contribute to the preservation of the planet's natural resources by promoting the use of **recycled materials**.
4. Optimize our packaging to control our **transport costs**.
5. Highlight the **talent of our employees** by ensuring social equality.

OUR EXPERTISE

Why use a monitor stand or laptop riser?

These days, more and more people use several screens to accomplish their tasks, so you need to know whether your working position is suitable and ergonomic. Are you sitting up straight? Do you feel that your neck is in its natural, relaxed position? When you look at your screen, do you keep your gaze straight without looking up or down? If the answer to these simple questions is no, it's high time you bought yourself a laptop stand with a screen riser or even a screen support arm. These will enable you to align your eyes correctly with the top of your screen and prevent RSI by reducing neck strain.

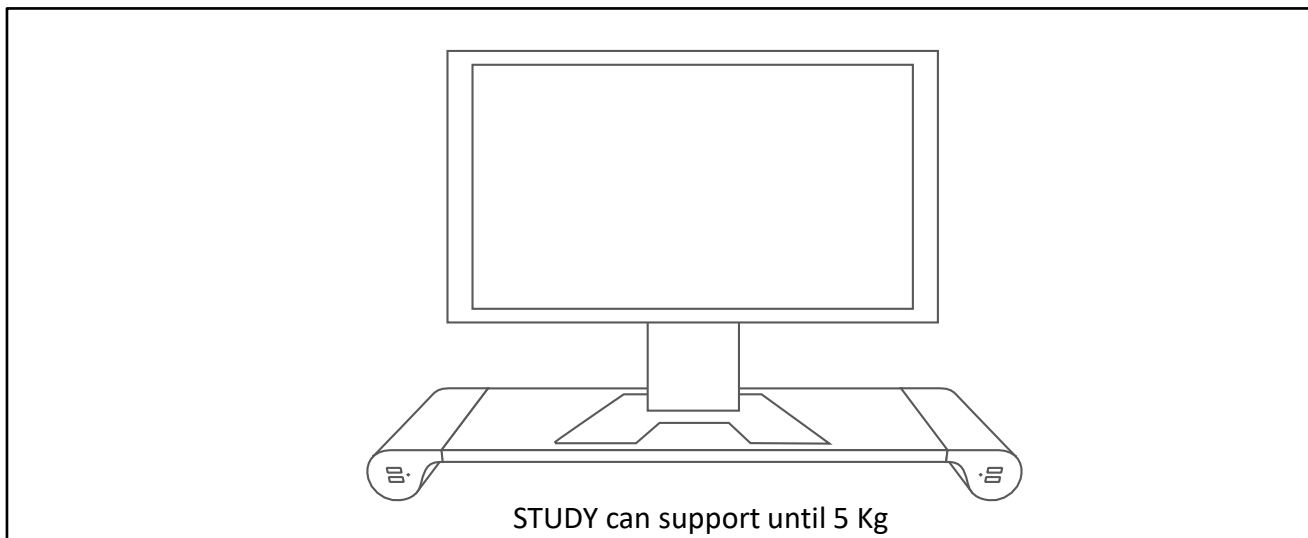
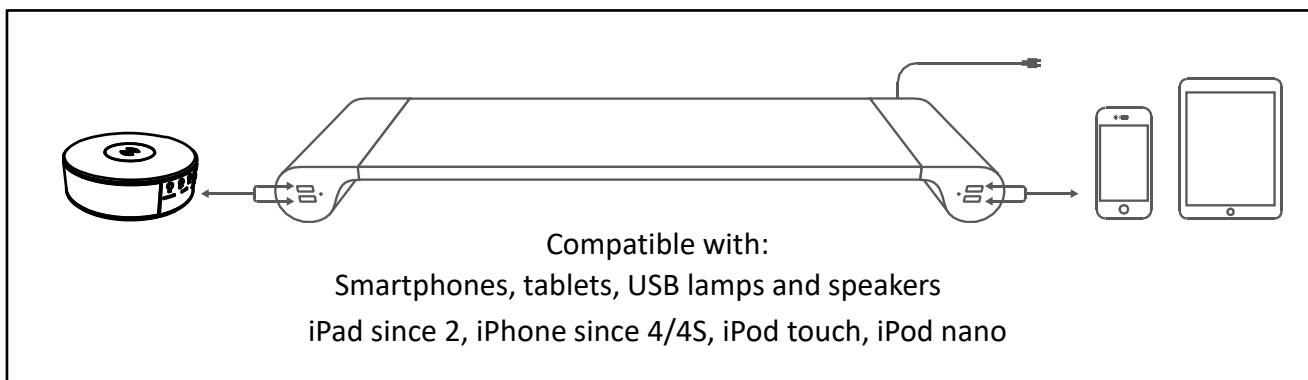
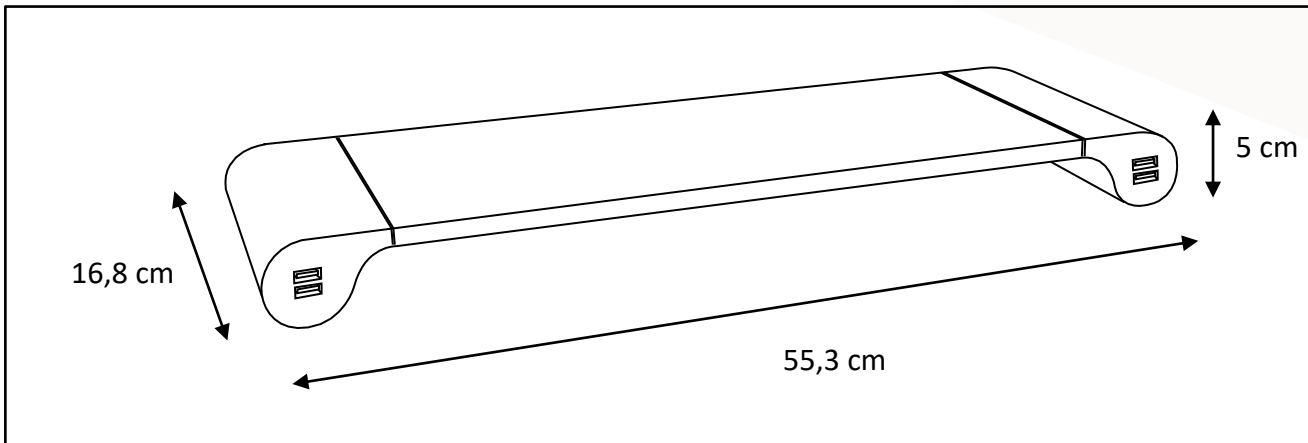
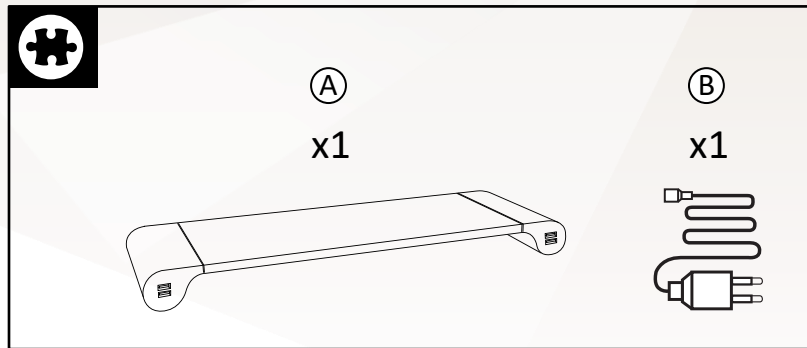
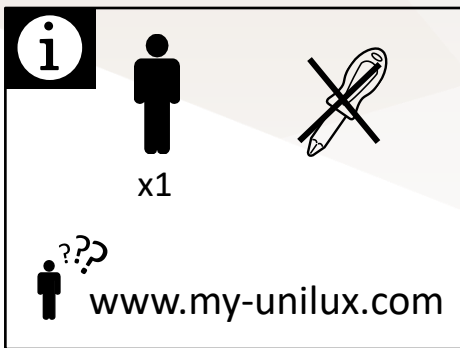


OUR CERTIFICATIONS

Unilux is committed to an eco-responsible approach and ensures that its products respect this commitment. Indeed, we are very concerned about current environmental issues and we aspire to respond as best as possible to the concerns of our consumers on this subject. Sustainable development is at the heart of our strategy and we act for the environment. You will find below the different certifications that Unilux has and that prove its environmental commitment.



USER GUIDE



30 products available on pCon Planner

You will be able to obtain data on many UNILUX or OFML standard products and integrate them quickly and easily into 3D space layouts via pCon.



Download on our E-shop

Always available: photos in HD, data sheets, instruction manual, repairability instructions for all our products.



Do you have any questions?

Our after-sales service is always at your disposal

Tèl: +33 1 81 86 06 03

E-mail: contact.unilux@hamelinbrands.com

17 avenue du Parc TECHNOPOLES

91380 Chilly Mazarin – France

Tèl: +33 1 81 86 06 00

www.my-unilyx.com

E-mail: contact.unilux@hamelinbrands.com

UNILUX