



UNILUX

SWINGOLED

SWINGOLED black



SWINGOLED has a double arm with compensation springs.

Equipped with high-efficiency LED lighting for low consumption, the SWINGO LED lamp offers 3 levels of light intensity allowing everyone to adapt the lighting, throughout the day, according to their needs.

SWINGOLED white





- **Contemporary design:** combining metal and plastic this lamp will adapt perfectly to any type of office.
- **Stability:** its weighted base of 2.7 kg ensures perfect stability of the lamp on your desk.
- **Versatile:** it is sold on base and with clamp (maximum spacing 5.5 cm) and adapts to all uses.
- **Comfortable light for the eyes:** with its latest generation LEDs, the light is stable without flickering or glare. Protects your eyesight well.
- **Latest generation LEDs:** lifespan of 50,000 h. Save energy.
- **Available in two colors:** black or white

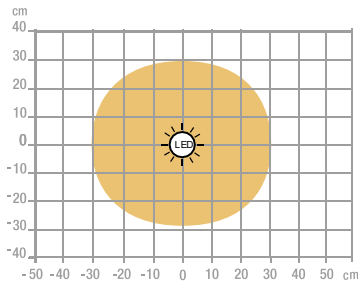
- Warranty: 2 years
- Max height: 81 cm/ minimum height: 11 cm
- Materials: epoxy painted steel base/ aluminum arm/ ABS plastic head



Professional replaceable light source (LED only)

Characteristics

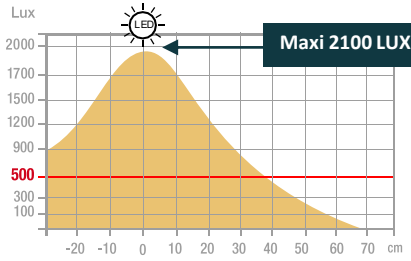
Lux measurement on the work surface in top view at 35 cm:



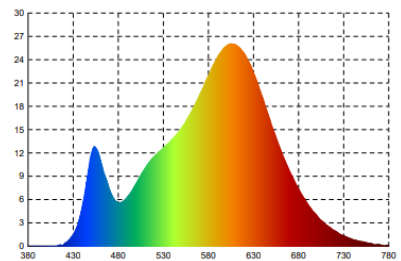
> 500 Lux

< 500 Lux

Lux measurement on the work surface in profile view at 35 cm:



Measurement in nanometers of the light spectrum



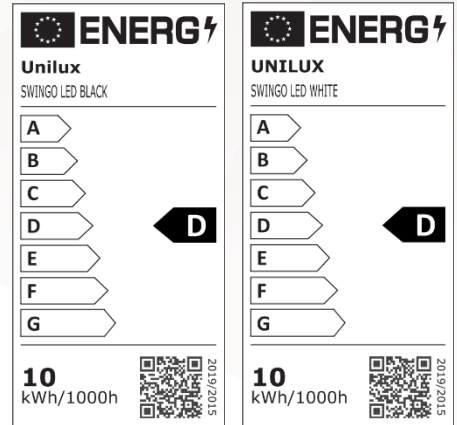
- 0 No-risk
- 1 Low-risk
- 2 Moderate-risk
- 3 High-risk

SAP. code	400093838	400093839
EAN code	3595560016485	3595560016570
Colors	Black	White
Luminous flux (lm)	1249	1249
Lux (Lx)	2100 à 35 cm	2100 à 35 cm
Luminous Efficiency (Lm/W)	125	125
Color T° (K)	3000	3000
CRI	84	84
Source's lifetime (h)	50 000	50 000
Energy Consumption (kWh/1000h)	10	10
USB port	No	No
Induction charger	No	No
Poids net (kg)	1,8	1,8

OUR CSR COMMITMENTS

1. All our lighting are **100% repairable** thus limiting planned obsolescence.
2. Reduce our carbon footprint through our **ECO-DESIGN THINKING** approach.
3. Contribute to the preservation of the planet's natural resources by promoting the use of **recycled materials**.
4. Optimize our packaging to control our **transport costs**.
5. Highlight the **talent of our employees** by ensuring social equality.

Energy class



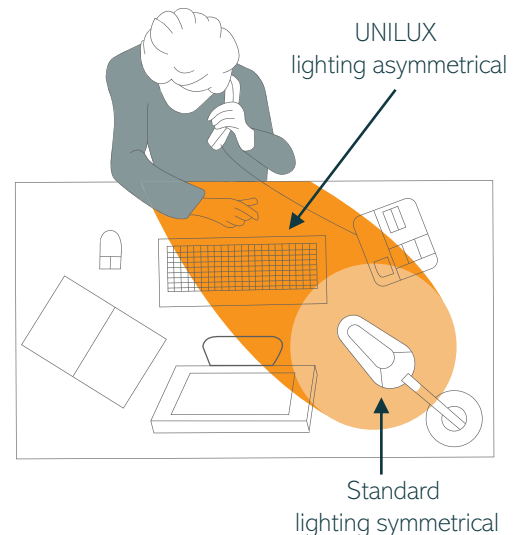
OUR EXPERTISE

1-Why use auxiliary lighting?

We are regularly subjected to constant artificial lighting in the office, which takes no account of our biological rhythms. Poor lighting quality can cause headaches, sleep disorders and loss of concentration. According to a recent study, only 34% of offices achieve the level of illumination of 500 lux recommended by Occupational Medicine in accordance with DIN EN 12464-1*.

2-How to light your workspace?

- Position the lamp head at least 35 cm above the worktop. work surface.
- Place the lamp on the opposite side to the hand that is holding the mouse or writing.
- Use lamps with asymmetrical lighting to reduce eyestrain, which can lead to eye irritation, headaches, loss of concentration, reduced productivity, etc.
- Position the lamp so that it is easy to adjust and so that the light is in the right place.
- Avoid reflections from shiny surfaces.
- Limit direct glare from bright light in the field of vision and indirect glare from bright light in the field of vision. in the field of vision and indirect glare from the reflection of light from the reflection of light in the field of vision, on a work surface walls or objects.



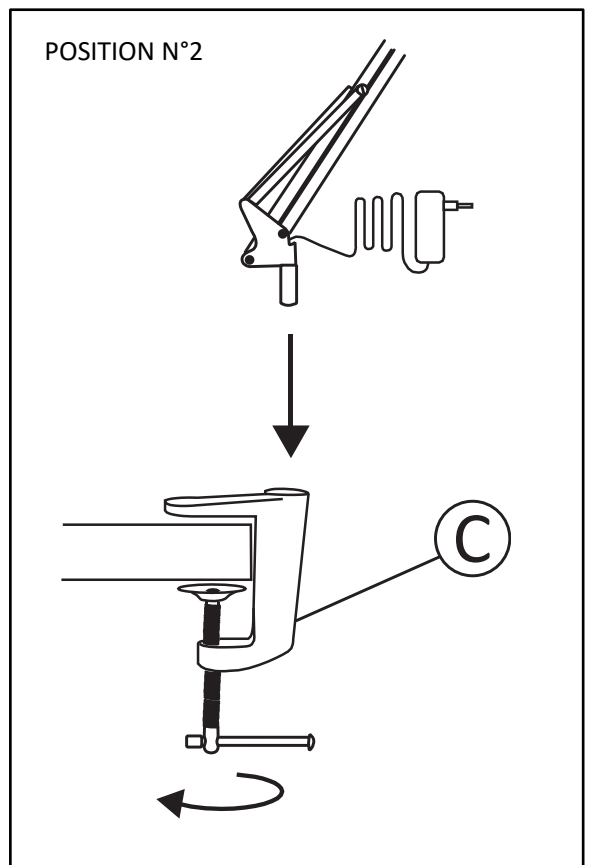
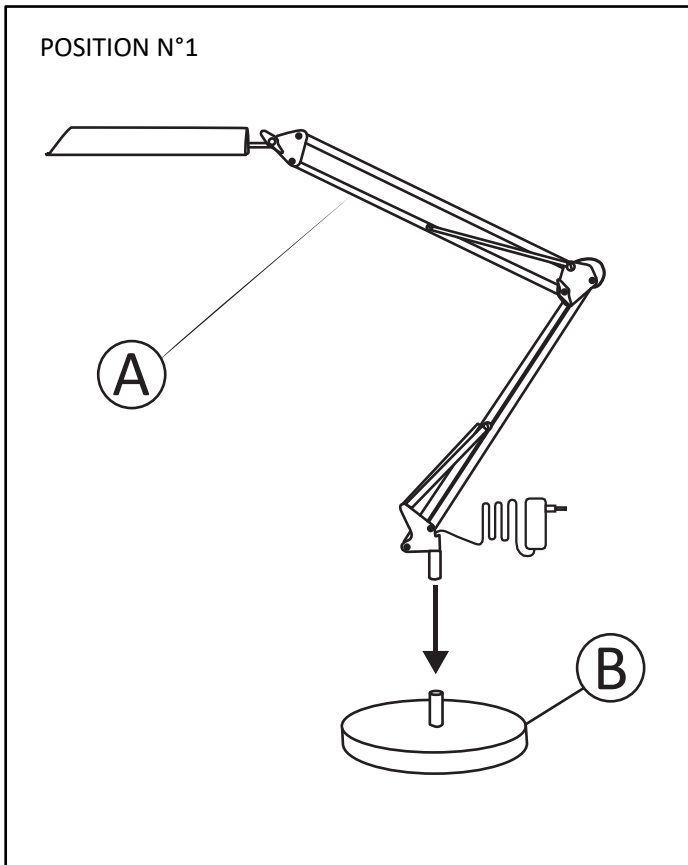
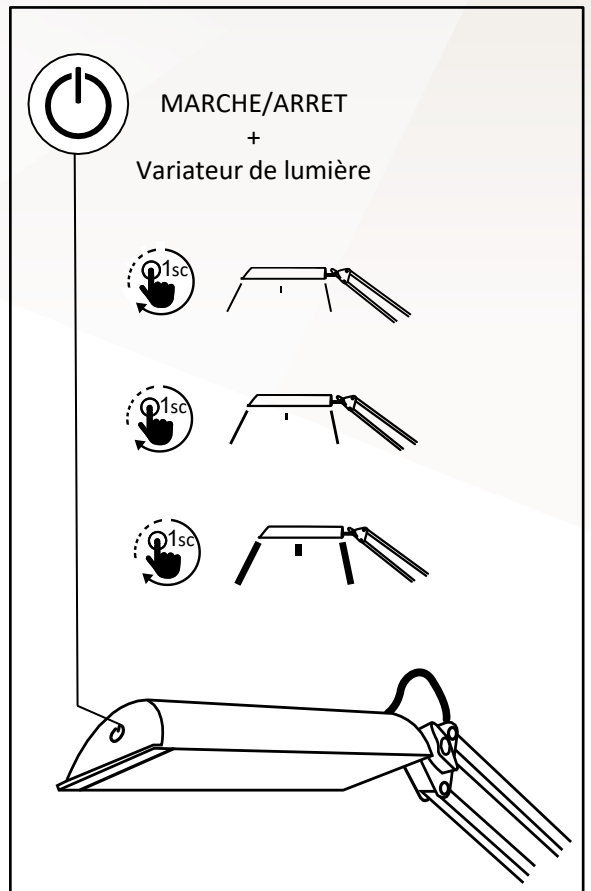
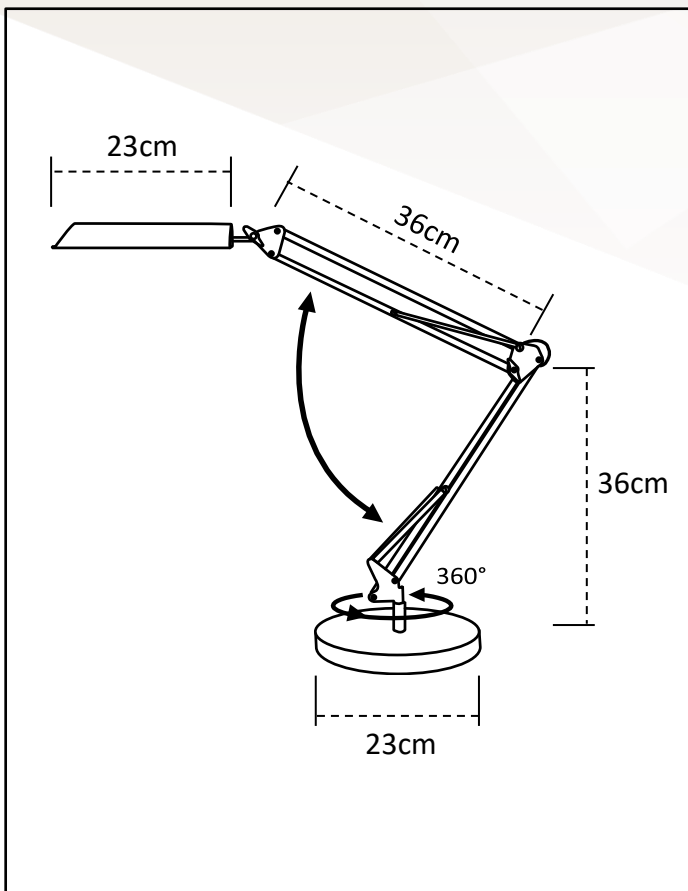
OUR CERTIFICATIONS

Unilux is committed to an eco-responsible approach and ensures that its products respect this commitment. Indeed, we are very concerned about current environmental issues and we aspire to respond as best as possible to the concerns of our consumers on this subject. Sustainable development is at the heart of our strategy and we act for the environment. You will find below the different certifications that Unilux has and that prove its environmental commitment.



UNILUX

* DIN EN 12464-1 (DIN 5035-1): European standard which determines the lighting requirements for workstations in closed places, these satisfying the needs of comfort and visual performance. DIN EN 12464-1 replaced DIN 5035-1



30 products available on pCon Planner

You will be able to obtain data on many UNILUX or OFML standard products and integrate them quickly and easily into 3D space layouts via pCon.



Download on our E-shop

Always available: photos in HD, data sheets, instruction manual, repairability instructions for all our products.



Do you have any questions?

Our after-sales service is always at your disposal

Tèl: +33 1 81 86 06 03

E-mail: contact.unilux@hamelinbrands.com

17 avenue du Parc TECHNOPOLES

91380 Chilly Mazarin – France

Tèl: +33 1 81 86 06 00

www.my-unilyx.com

E-mail: contact.unilux@hamelinbrands.com

UNILUX