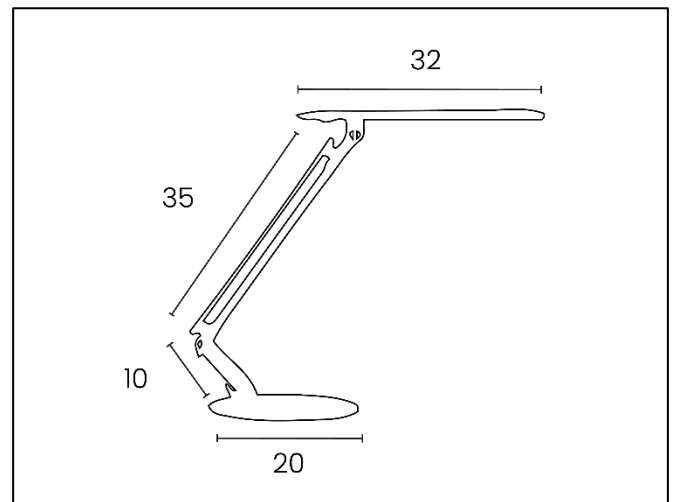




UNILUX

RUMBALED



The RUMBALED lamp provides LED lighting. The lifespan of LEDs is about 25% longer compared to a fluorescent lamp.
The thinness of the head and its elongated shape favors the wide diffusion of light on the worktop.



- **Compact and articulated:** it integrates with all sizes and office spaces.
- **Stable:** its thick sheet metal base makes this lamp a resistant product with great stability.
- **Trendy design:** the finesse of the head and its elongated shape promotes a wide diffusion of light on the worktop.
- **Energetically efficient:** last generation cost-saving energy LED.
- **Securing:** flicker-free light, provides a powerful and comfortable light that protects your eyes and causes less fatigue.
- **Simple and effective:** its ON / OFF switch located on the cord is easy to access.

Warranty: 2 years

Max height: 42 cm / minimum height: 20 cm

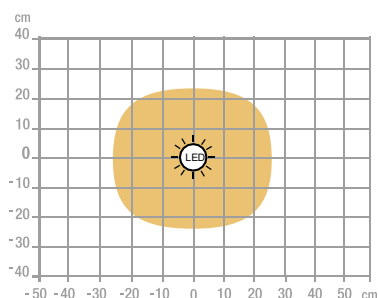
Materials: base and arms in metal with epoxy paint / ABS plastic head



Professional replaceable light source (LED only)

Characteristics

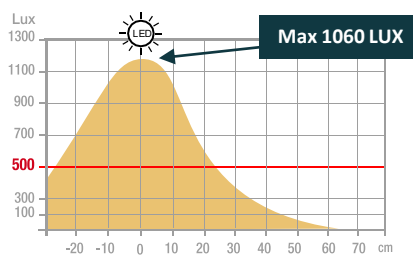
Measurement in Lux on the worktop
in top view at 35 cm:



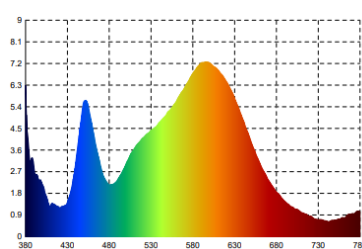
> 500 Lux

< 500 Lux

Measurement in Lux on the worktop
in profile view at 35 cm:



Measurement in nanometers
of the light spectrum



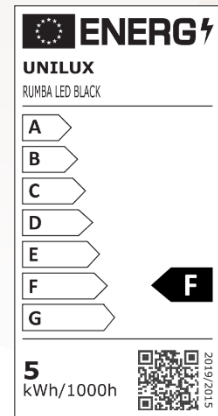
- 0 No-risk
- 1 Low-risk
- 2 Moderate-risk
- 3 High-risk

SAP no.	400093720
EAN code	3595560015443
Colors	Black
Luminous flow	391
Lux at 35cm	1060
Lm/W	78
Color T° (K)	3600
CRI	84
Source Lifetime (h)	50000
Energy consumption (kWh/1000 h)	7
USB Port	No
Inductive charger	No
Net weight (kg)	0,75

OUR CSR COMMITMENTS

1. All our lighting are **100% repairable** thus limiting planned obsolescence.
2. Reduce our carbon footprint through our **ECO-DESIGN THINKING** approach.
3. Contribute to the preservation of the planet's natural resources by promoting the use of **recycled materials**.
4. Optimize our packaging to control our **transport costs**.
5. Highlight the **talent of our employees** by ensuring social equality.

Energy class



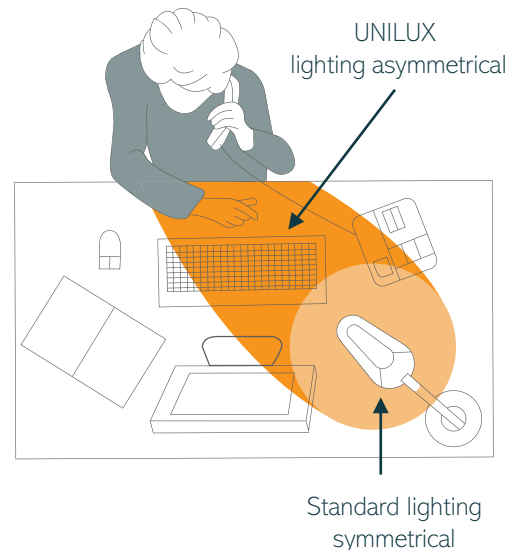
OUR EXPERTISE

1-Why use auxiliary lighting?

We are regularly subjected to constant artificial lighting in the office, which takes no account of our biological rhythms. Poor lighting quality can cause headaches, sleep disorders and loss of concentration. According to a recent study, only 34% of offices achieve the level of illumination of 500 lux recommended by Occupational Medicine in accordance with DIN EN 12464-1*.

2-How to light your workspace?

- Position the lamp head at least 35 cm above the worktop. work surface.
- Place the lamp on the opposite side to the hand that is holding the mouse or writing.
- Use lamps with asymmetrical lighting to reduce eyestrain, which can lead to eye irritation, headaches, loss of concentration, reduced productivity, etc.
- Position the lamp so that it is easy to adjust and so that the light is in the right place.
- Avoid reflections from shiny surfaces.
- Limit direct glare from bright light in the field of vision and indirect glare from bright light in the field of vision. in the field of vision and indirect glare from the reflection of light from the reflection of light in the field of vision, on a work surface walls or objects.



OUR CERTIFICATIONS

Unilux is committed to an eco-responsible approach and ensures that its products respect this commitment. Indeed, we are very concerned about current environmental issues and we aspire to respond as best as possible to the concerns of our consumers on this subject. Sustainable development is at the heart of our strategy and we act for the environment. You will find below the different certifications that Unilux has and that prove its environmental commitment.



UNILUX

* DIN EN 12464-1 (DIN 5035-1): European standard which determines the lighting requirements for workstations in closed places, these satisfying the needs of comfort and visual performance. DIN EN 12464-1 replaced DIN 5035-1

30 products available on pCon Planner

You will be able to obtain data on many UNILUX or OFML standard products and integrate them quickly and easily into 3D space layouts via pCon.



Download on our E-shop

Always available: photos in HD, data sheets, instruction manual, repairability instructions for all our products.



Do you have any questions?

Our after-sales service is always at your disposal

Tèl: +33 1 81 86 06 03

E-mail: contact.unilux@hamelinbrands.com

17 avenue du Parc TECHNOPOLES

91380 Chilly Mazarin – France

Tèl: +33 1 81 86 06 00

www.my-unilyx.com

E-mail: contact.unilux@hamelinbrands.com

UNILUX