



UNILUX

SUCCESS 66/80



The lamps of the SUCCESS range are architectural lamps with a universal and timeless design that has been seducing for decades.

ON/OFF switch on the cable. Delivered with its base, clamp and without bulb, SUCCESS offers an ultra competitive price



The lamps of the SUCCESS range are architectural lamps with a universal and timeless design that has been seducing for decades.

ON/OFF switch on the cable. Delivered with its base, clamp and without bulb, SUCCESS offers an ultra competitive price

SUCCESS 66/80



- Easy to handle: thanks to its double-jointed swivel arm, this lamp is equipped with compensation springs making it easier to direct in all directions.
- Timeless lamp: universal and timeless design that has been attractive for decades.
- Stability: its weighted base ensures perfect stability of the lamp on your desk.
- Versatile: it is sold on a base and with clamp (maximum spacing 5 cm) and is suitable for all uses.
- Available in 1 color for the SUCCESS 60: black
- Available in 2 colors for the SUCCESS 80: black or white

Warranty: 2 years

Max height SUCCESS 60: 66 cm / minimum height: 15 cm

Max height SUCCESS 80: 81 cm / minimum height: 15 cm

Materials: base, arm and head in steel epoxy paint and recyclable aluminum



End user replaceable light source (LED only)

Characteristics

SAP no.	400093579	400093610	400093600
EAN code	3595560013952	3595560014156	3595560014552
Colors	Black 80	White 80	Black 66
Luminous flow	/	/	/
Lux at 35cm	/	/	/
Lm/W	/	/	/
Color T° (K)	/	/	/
CRI	/	/	/
Source Lifetime (h)	/	/	/
Energy consumption (kWh/1000 h)	/	/	/
USB Port	/	/	/
Inductive charger	/	/	/
Net weight (kg)	3,55	3,55	3,38

OUR CSR COMMITMENTS

1. All our lighting are **100% repairable** thus limiting planned obsolescence.
2. Reduce our carbon footprint through our **ECO-DESIGN THINKING** approach.
3. Contribute to the preservation of the planet's natural resources by promoting the use of **recycled materials**.
4. Optimize our packaging to control our **transport costs**.
5. Highlight the **talent of our employees** by ensuring social equality.

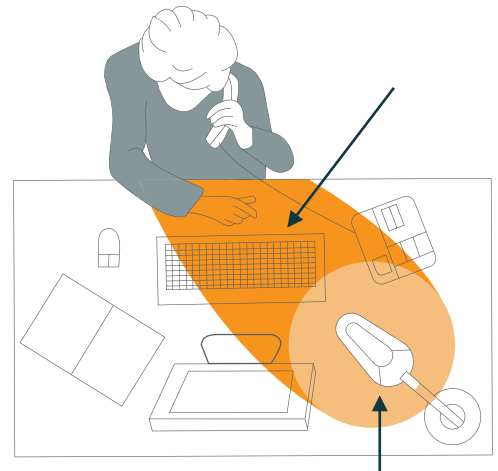
OUR EXPERTISE

1-Why use auxiliary lighting?

We are regularly subjected to constant artificial lighting in the office, which takes no account of our biological rhythms. Poor lighting quality can cause headaches, sleep disorders and loss of concentration. According to a recent study, only 34% of offices achieve the level of illumination of 500 lux recommended by Occupational Medicine in accordance with DIN EN 12464-1*.

2-How to light your workspace?

- Position the lamp head at least 35 cm above the worktop. work surface.
- Place the lamp on the opposite side to the hand that is holding the mouse or writing.
- Use lamps with asymmetrical lighting to reduce eyestrain, which can lead to eye irritation, headaches, loss of concentration, reduced productivity, etc.
- Position the lamp so that it is easy to adjust and so that the light is in the right place.
- Avoid reflections from shiny surfaces.
- Limit direct glare from bright light in the field of vision and indirect glare from bright light in the field of vision. in the field of vision and indirect glare from the reflection of light from the reflection of light in the field of vision, on a work surface walls or objects.



OUR CERTIFICATIONS

Unilux is committed to an eco-responsible approach and ensures that its products respect this commitment. Indeed, we are very concerned about current environmental issues and we aspire to respond as best as possible to the concerns of our consumers on this subject. Sustainable development is at the heart of our strategy and we act for the environment. You will find below the different certifications that Unilux has and that prove its environmental commitment.



UNILUX

* DIN EN 12464-1 (DIN 5035-1): European standard which determines the lighting requirements for workstations in closed places, these satisfying the needs of comfort and visual performance. DIN EN 12464-1 replaced DIN 5035-1

USER GUIDE

i

x1

1 min

www.my-unilux.com

+

A x1

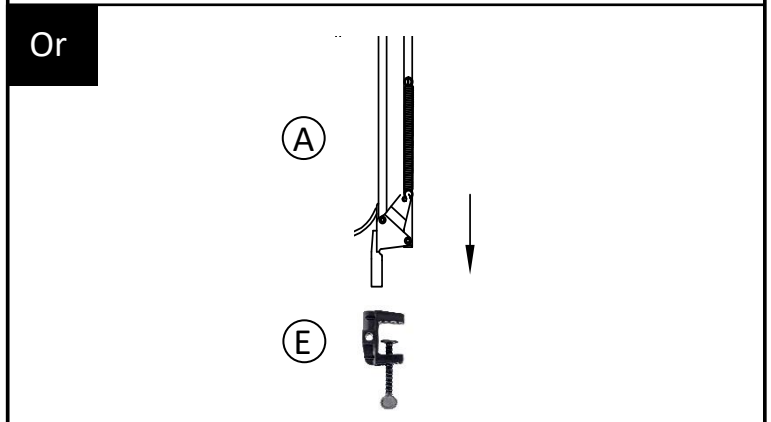
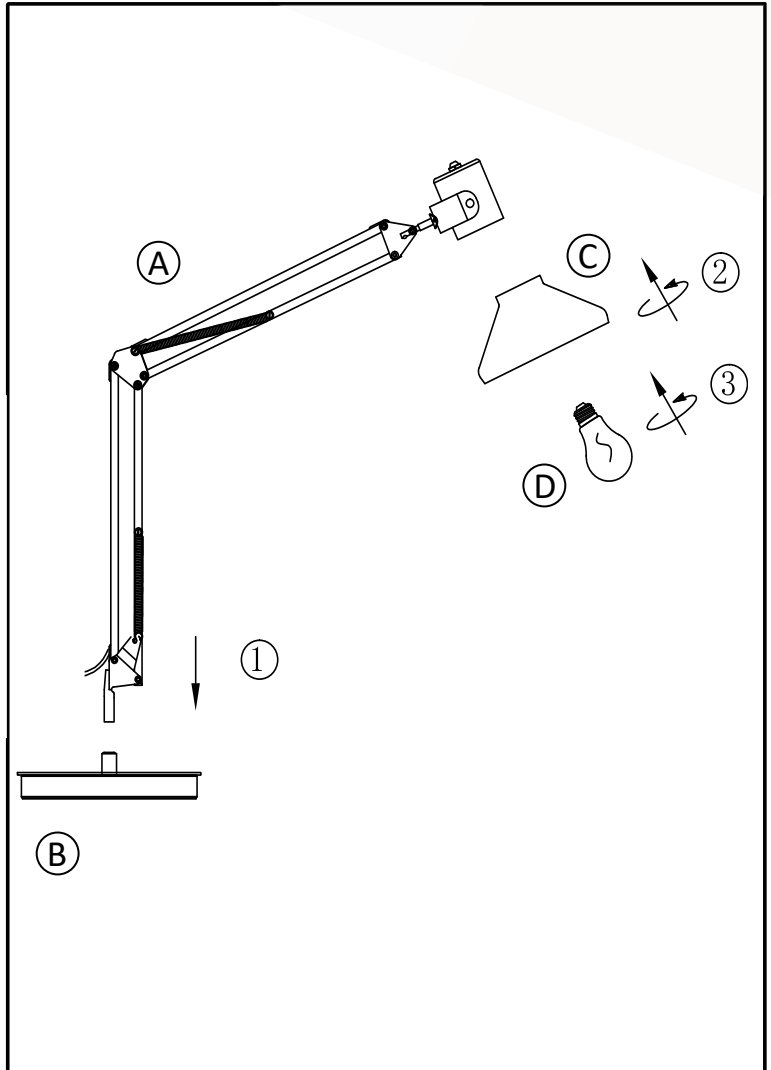
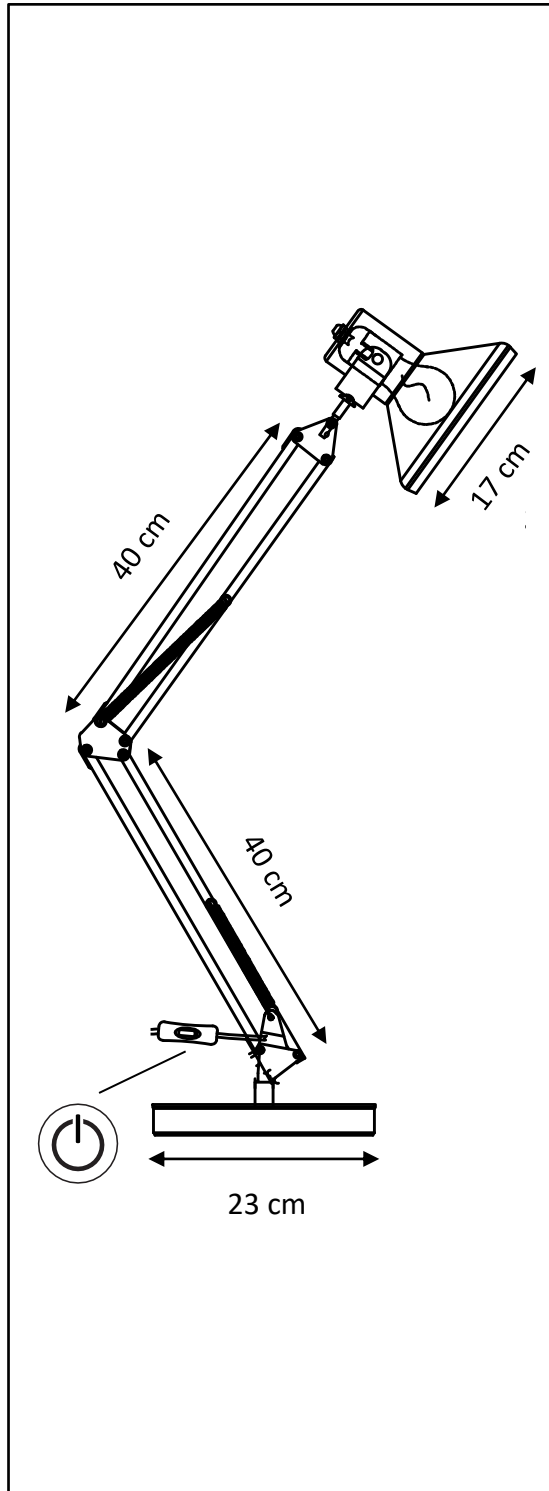
B x1

C x1

D x1

E x1

F



30 products available on pCon Planner

You will be able to obtain data on many UNILUX or OFML standard products and integrate them quickly and easily into 3D space layouts via pCon.



Download on our E-shop

Always available: photos in HD, data sheets, instruction manual, repairability instructions for all our products.



Do you have any questions?

Our after-sales service is always at your disposal

Tèl: +33 1 81 86 06 03

E-mail: contact.unilux@hamelinbrands.com

17 avenue du Parc TECHNOPOLIS

91380 Chilly Mazarin – France

Tèl: +33 1 81 86 06 00

www.my-unilyx.com

E-mail: contact.unilux@hamelinbrands.com

UNILUX