



UNILUX

---

MAMBOLED

# MAMBOLED



MAMBOLED modern design with multiple settings, this lamp will adapt perfectly to any type of office. Low visual stress after prolonged use: ideal for working, reading or studying, at home or in the office.

A pleasant light, equipped with technology protecting your eyes: a stable and quality light thanks to the latest generation LEDs. In addition, the LEDs are protected by opaque plastic: no flicker or glare.



- **Adjustment:** large amplitude and flexibility of adjustment thanks to its double arm and triple articulation.
- **Modern design:** with its matte black or metal gray finish, this lamp will adapt perfectly to any type of desk.
- **Stability:** its weighted base of 1.5 kg ensures perfect stability of the lamp on your desk.
- **Versatile:** it is sold on base and with its clamp (maximum spacing 4 cm) and adapts to all uses.
- **A pleasant light, equipped with technology protecting your eyes:** a stable and quality light thanks to the latest generation LEDs. In addition, the LEDs are protected by opaque plastic: no flicker or glare.
- **Low visual stress after prolonged use:** ideal for working, reading or studying, at home or in the office.

Warranty: 2 years

Max height: 75 cm/ minimum height: 30 cm

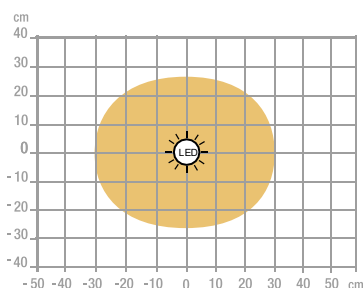
Materials: epoxy painted steel base/arm and ABS plastic head



Professional replaceable light source (LED only)

## Characteristics

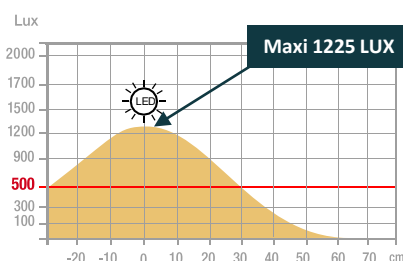
Lux measurement on the work surface in top view at 35 cm:



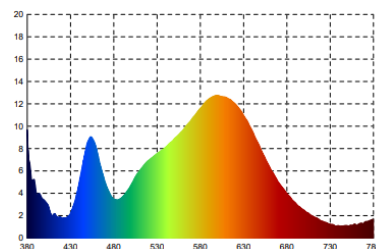
> 500 Lux

< 500 Lux

Lux measurement on the work surface in profile view at 35 cm:



Measurement in nanometers of the light spectrum



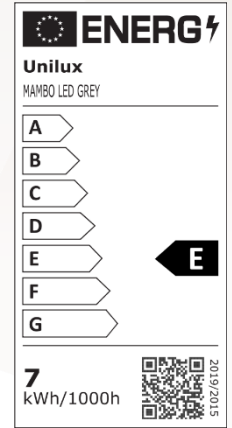
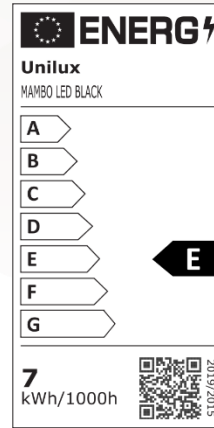
- 0 No-risk
- 1 Low-risk
- 2 Moderate-risk
- 3 High-risk

SAP. code	400033683	400033684
EAN code	3595560005796	3595560005802
Colors	Black	Metal grey
Luminous flow (Lm)	665	665
Lux (Lx)	1225 at 35 cm	1225 at 35 cm
Luminous Efficiency (Lm/W)	95	95
Color T° (K)	2900	2900
CRI	84	84
Source's lifetime (h)	40 000	40 000
Energy Consumption (kWh/1000h)	7	7
USB port	No	No
Induction charger	No	No
Poids net (kg)	1,8	1,8

# OUR CSR COMMITMENTS

1. All our lighting are **100% repairable** thus limiting planned obsolescence.
2. Reduce our carbon footprint through our **ECO-DESIGN THINKING** approach.
3. Contribute to the preservation of the planet's natural resources by promoting the use of **recycled materials**.
4. Optimize our packaging to control our **transport costs**.
5. Highlight the **talent of our employees** by ensuring social equality.

## Energy class



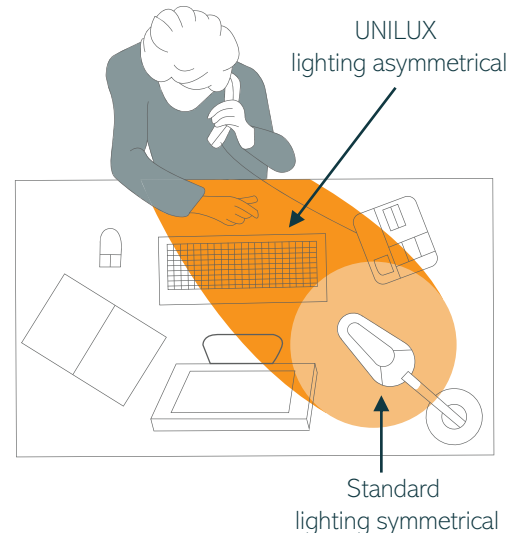
# OUR EXPERTISE

## 1-Why use auxiliary lighting?

We are regularly subjected to constant artificial lighting in the office, which takes no account of our biological rhythms. Poor lighting quality can cause headaches, sleep disorders and loss of concentration. According to a recent study, only 34% of offices achieve the level of illumination of 500 lux recommended by Occupational Medicine in accordance with DIN EN 12464-1\*.

## 2-How to light your workspace?

- Position the lamp head at least 35 cm above the worktop. work surface.
- Place the lamp on the opposite side to the hand that is holding the mouse or writing.
- Use lamps with asymmetrical lighting to reduce eyestrain, which can lead to eye irritation, headaches, loss of concentration, reduced productivity, etc.
- Position the lamp so that it is easy to adjust and so that the light is in the right place.
- Avoid reflections from shiny surfaces.
- Limit direct glare from bright light in the field of vision and indirect glare from bright light in the field of vision. in the field of vision and indirect glare from the reflection of light from the reflection of light in the field of vision, on a work surface walls or objects.



# OUR CERTIFICATIONS

Unilux is committed to an eco-responsible approach and ensures that its products respect this commitment. Indeed, we are very concerned about current environmental issues and we aspire to respond as best as possible to the concerns of our consumers on this subject. Sustainable development is at the heart of our strategy and we act for the environment. You will find below the different certifications that Unilux has and that prove its environmental commitment.

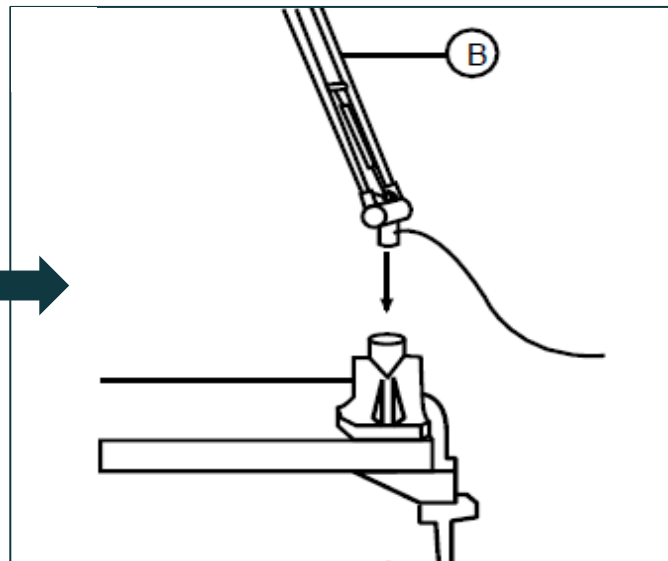
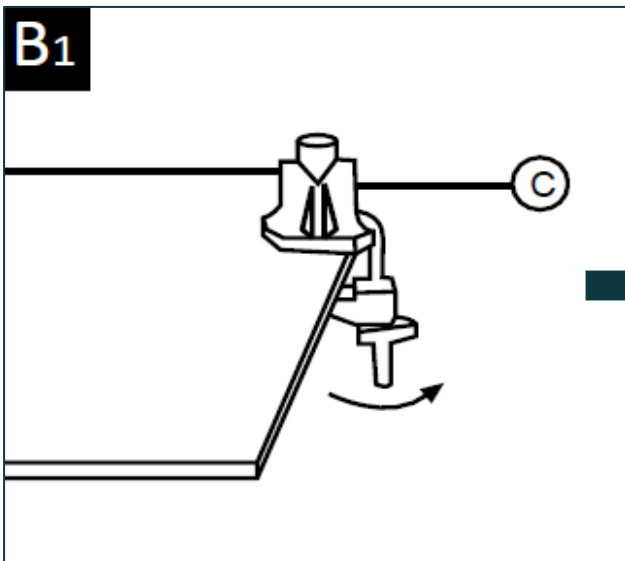
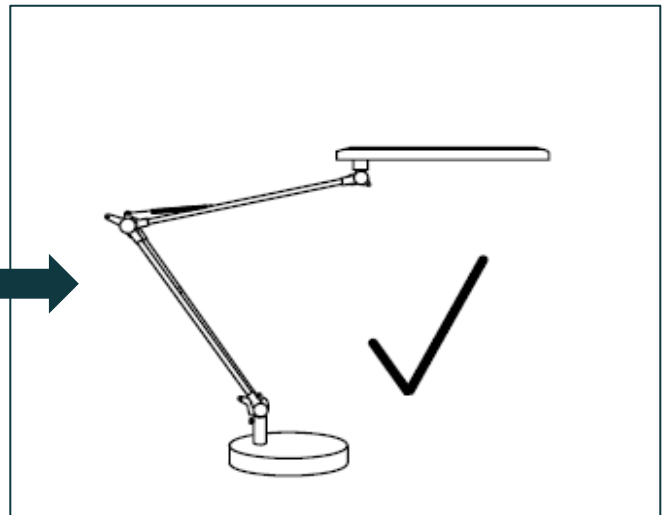
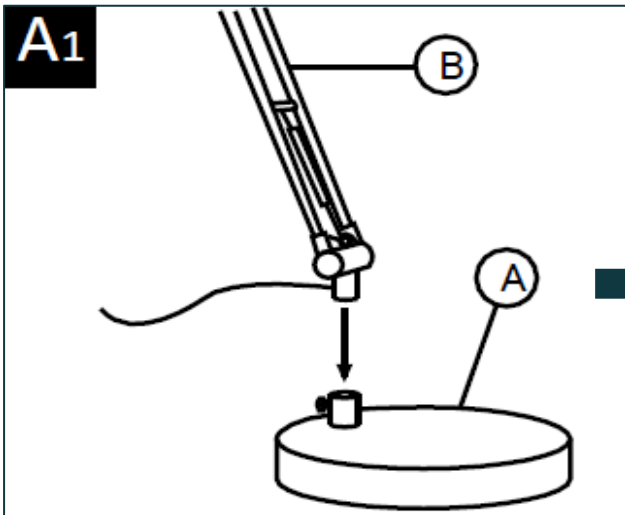
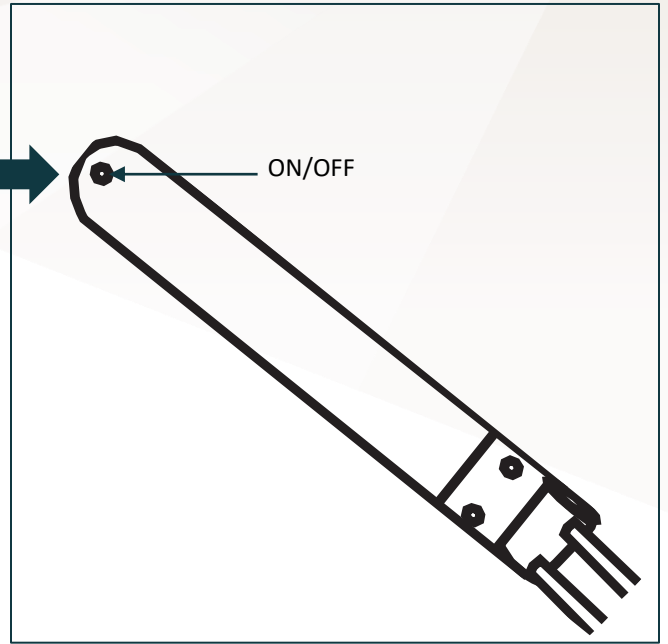
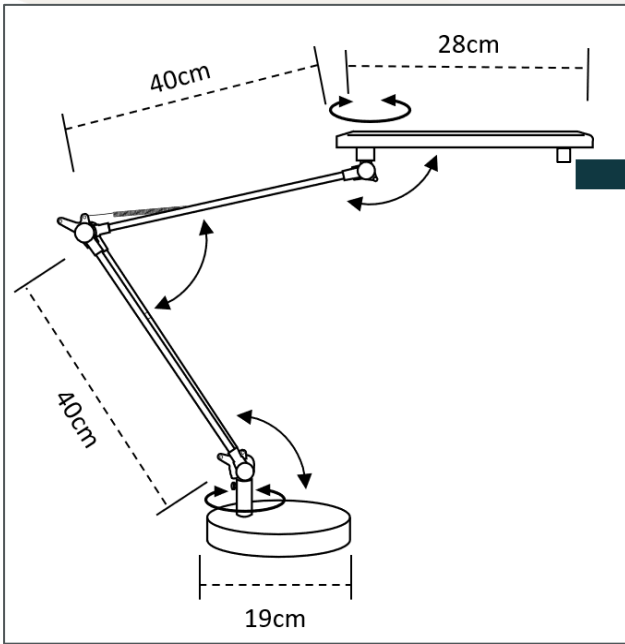


**UNILUX**

\* DIN EN 12464-1 (DIN 5035-1): European standard which determines the lighting requirements for workstations in closed places, these satisfying the needs of comfort and visual performance. DIN EN 12464-1 replaced DIN 5035-1



# USER GUIDE



## 30 products available on pCon Planner

You will be able to obtain data on many UNILUX or OFML standard products and integrate them quickly and easily into 3D space layouts via pCon.



## Download on our E-shop

Always available: photos in HD, data sheets, instruction manual, repairability instructions for all our products.



## Do you have any questions?

Our after-sales service is always at your disposal

Tèl: +33 1 81 86 06 03

E-mail: [contact.unilux@hamelinbrands.com](mailto:contact.unilux@hamelinbrands.com)

17 avenue du Parc TECHNOPOLES

91380 Chilly Mazarin – France

Tèl: +33 1 81 86 06 00

[www.my-unilyx.com](http://www.my-unilyx.com)

E-mail: [contact.unilux@hamelinbrands.com](mailto:contact.unilux@hamelinbrands.com)

UNILUX