





i

 x1

 5 min



???

 www.my-unilux.com

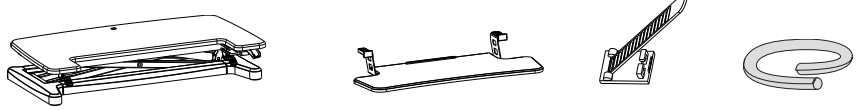
#


A x1

B x1

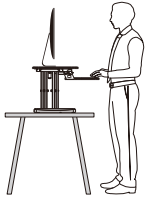
C x1


D x1

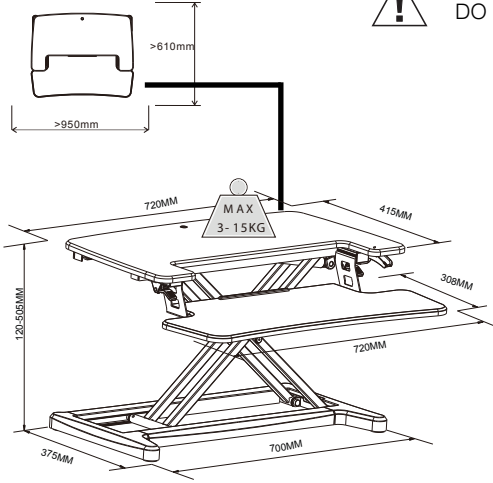




In few seconds...



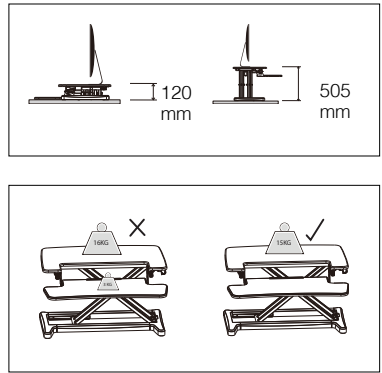
 DO NOT EXCEED THE MAXIMUM WEIGHT INDICATED



MAX 3-15KG

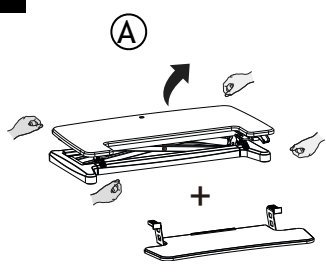
120 mm

505 mm




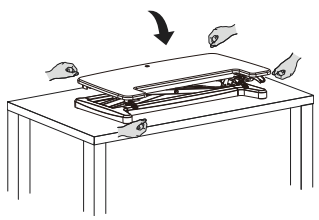
1

A



2

 Take the packaging carton apart, take out the product and place it properly on the table.



3



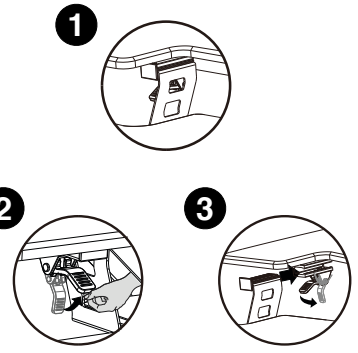
4

Push the keyboard tray connector into the slot and lock it.

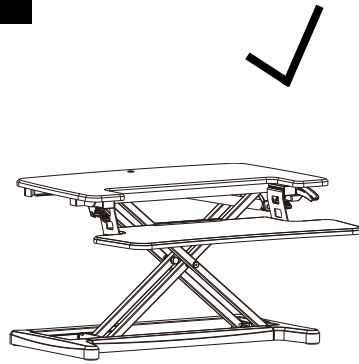
1

2


3

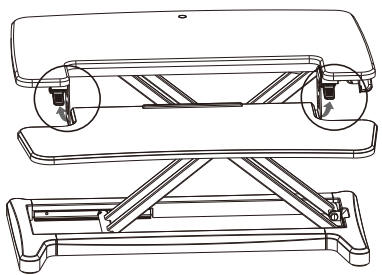


5

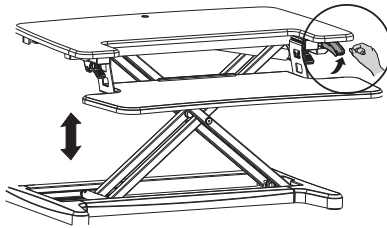


6

 When removing the keyboard tray, please open the wrench and remove it.



7

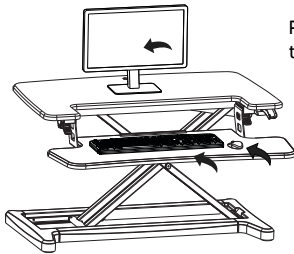


Based on the actual usage, press the handle on one side, and adjust the workstation to the proper height.

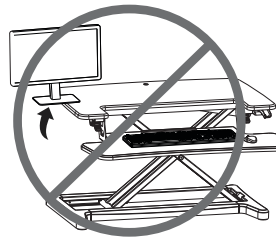


PLEASE, DO NOT PUT HANDS NEAR THE SUPPORTING BARS, AS THEY CHANGE DURING ADJUSTING AND MAY HURT YOU.

8



Please put the devices onto the top of the workstation.



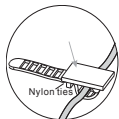
PLEASE, MAKE SURE ALL THE INSTALLED EQUIPMENTS ARE ON THE TABLE, AND NOT STICKING OUT OF THE EDGE, OR IT MAY HARM OR CAUSE DAMAGE.

9

1

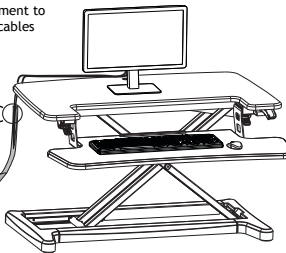


Use the cable management to guide and bundle the cables



This surface is with glue, helping to fix the cable management on the table.

cable



ADHESIVE BUCKLE HELPS TO MAKE THE CABLES TIDY AND CLEAN. PLEASE LEAVE ENOUGH LENGTH OF CABLE FOR HEIGHT ADJUSTMENT FUNCTION, OTHERWISE IT MAY CAUSE UNEXPECTED LOST.

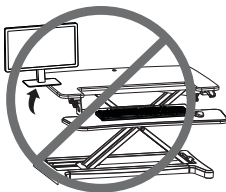


Hands Pinching

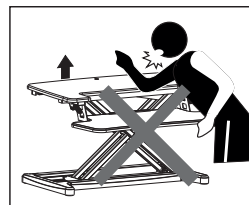
Do not place your hand near the strut, Strut's angle will change during the desktop lifts and may hurt you.



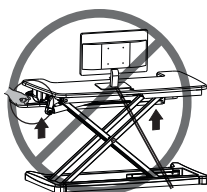
DO NOT PUT HANDS NEAR THE SUPPORTING BARS WHILE YOU ARE ADJUSTING. IT MAY HURT YOU.



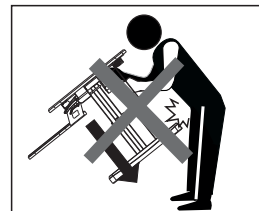
Please make sure all installed equipments are on the table, and not sticking out of the edge or it may harm or cause damages.



Please, first adjust it to the highest, then remove equipment to avoid harm or damage.



Please leave enough length of cable for height adjustment function, otherwise it may cause unexpected lost



Please move it by two persons or parts may collide and cause damages.