

i

x1

6 min

www.my-unilux.com

+

(A) x1

(B) x1

(C) x1

(D) x1

(E) x1

(F) x1

(G) x4

(H) x1

(I) x1

(J) x1

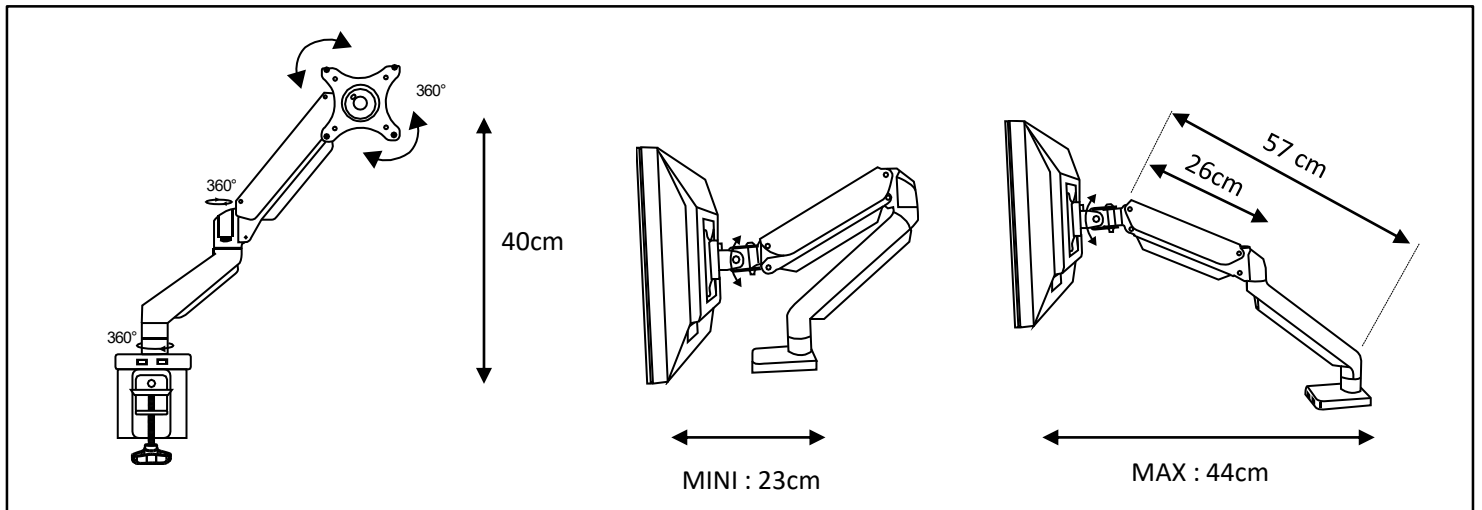
(K) x2

(L1) x1

(L1) x1

(MA) x4

(MJ) x5



ARM INSTALLATION TWO OPTIONS : option A or option B

A1

(C) x3

(MA) x3

A2

(D) x2

(M) x2

A3

Place the protection circle in the four angles in contact with the desk.

(G) x4

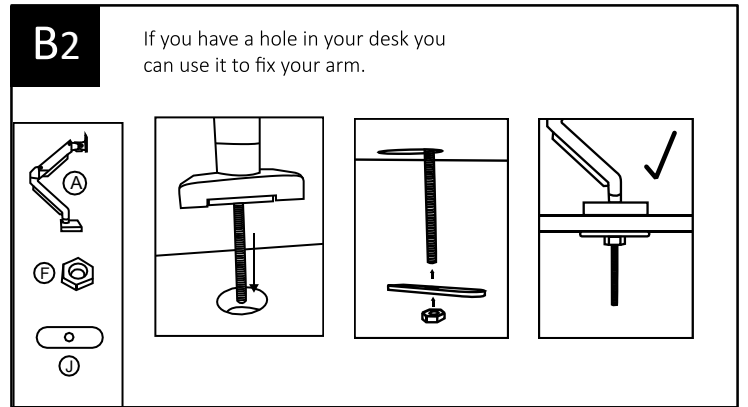
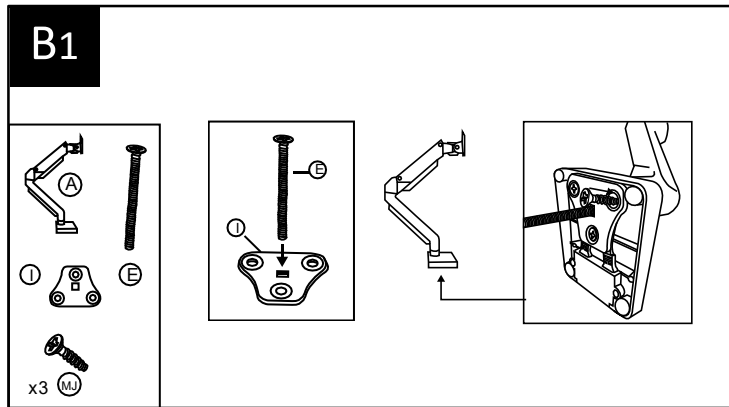
A4

Stuck the two cables through the piece G

(H) x1

(C) x1

OR



MONITOR INSTALLATION

