

i

x1

6 min

Supplied

Option A

+ Supplied

Option B

www.my-unilux.com

+

A x1

B x2

C x2

D x2

E x2

F x10

G x4

H x4

I x8

J x1

K x1

L x1

M x1

N x1

O x1

P x1

MA x4

MB x4

MC x4

MD x4

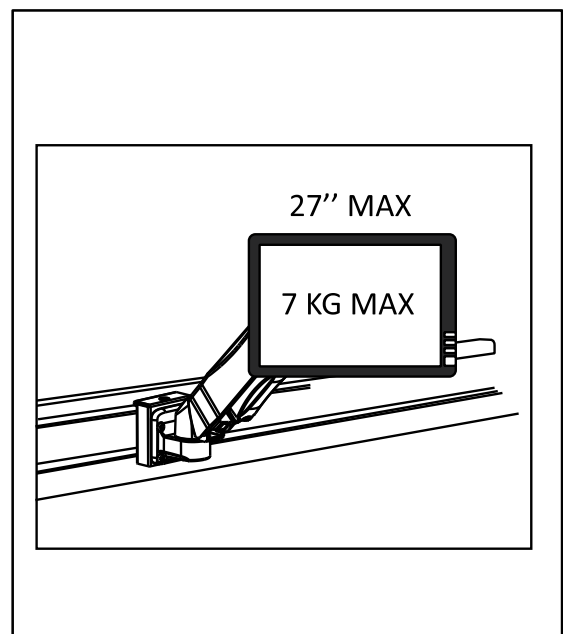
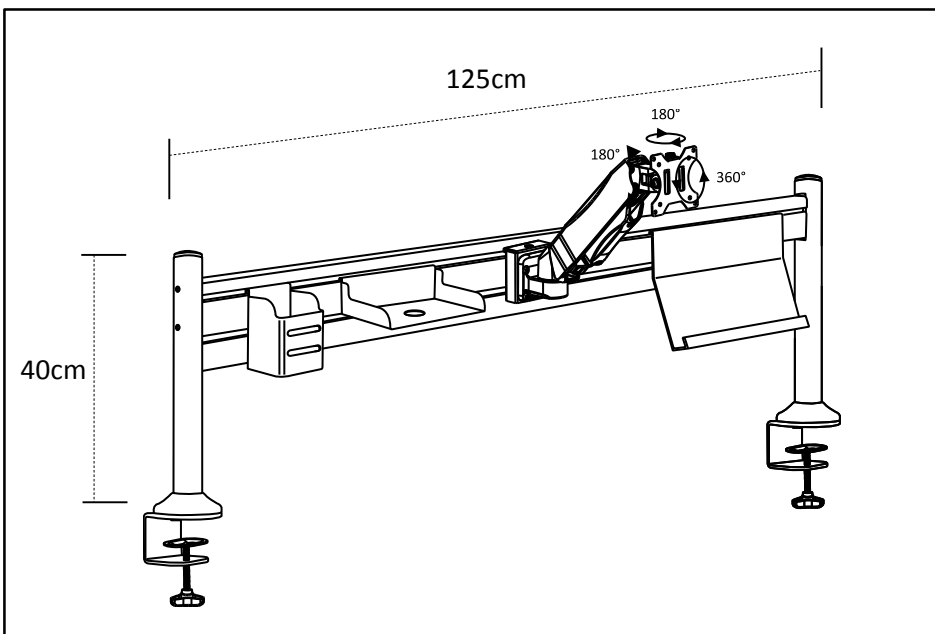
Q x4

R x4

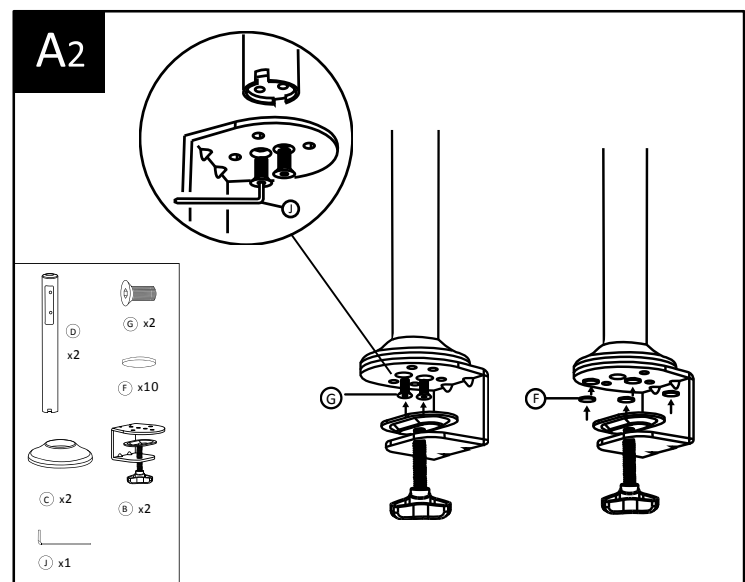
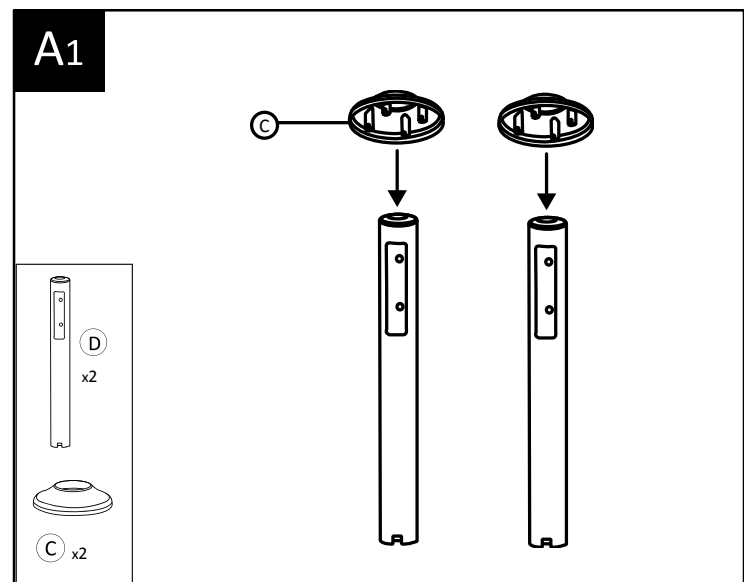
x1

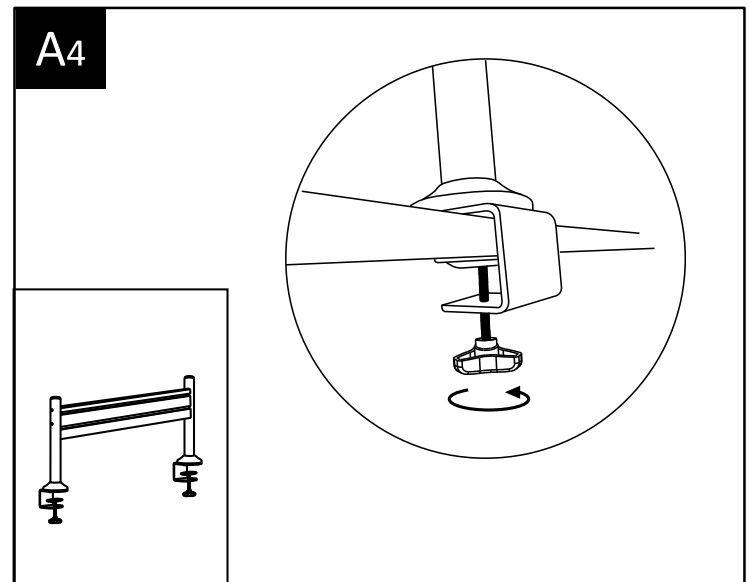
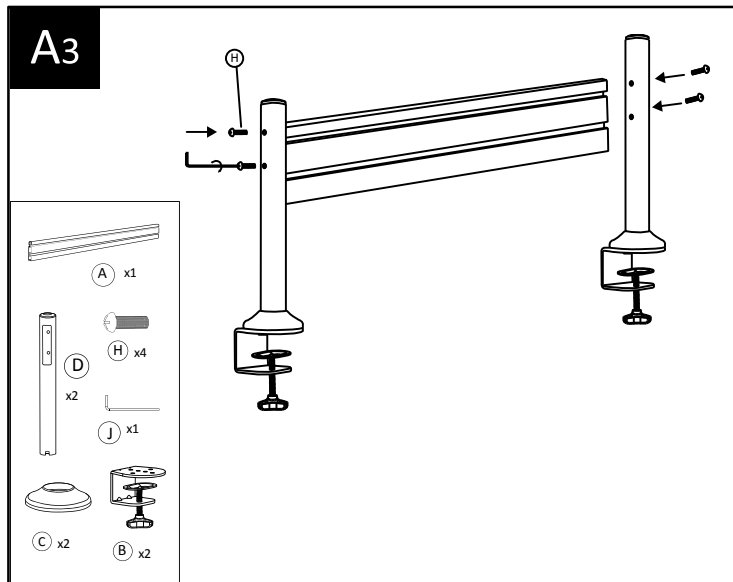
x2

x1

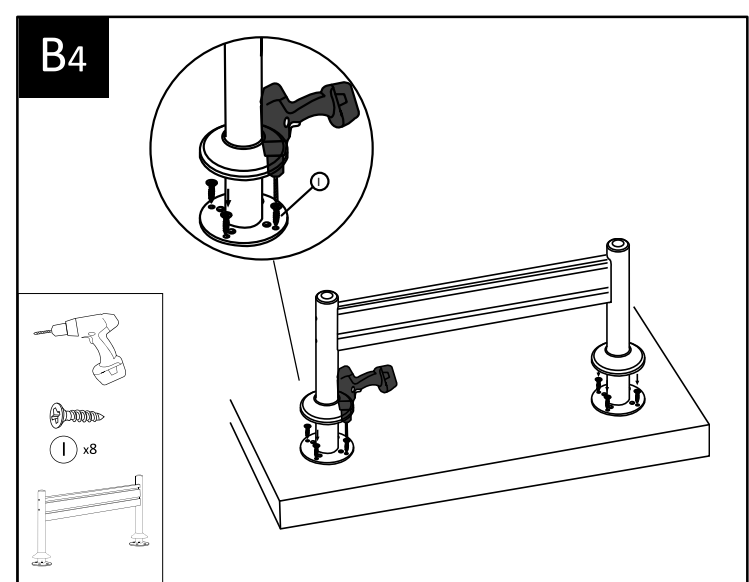
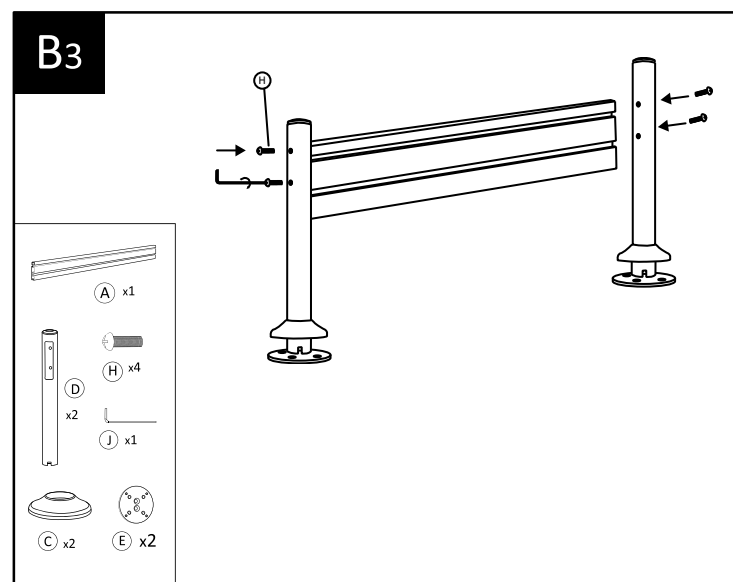
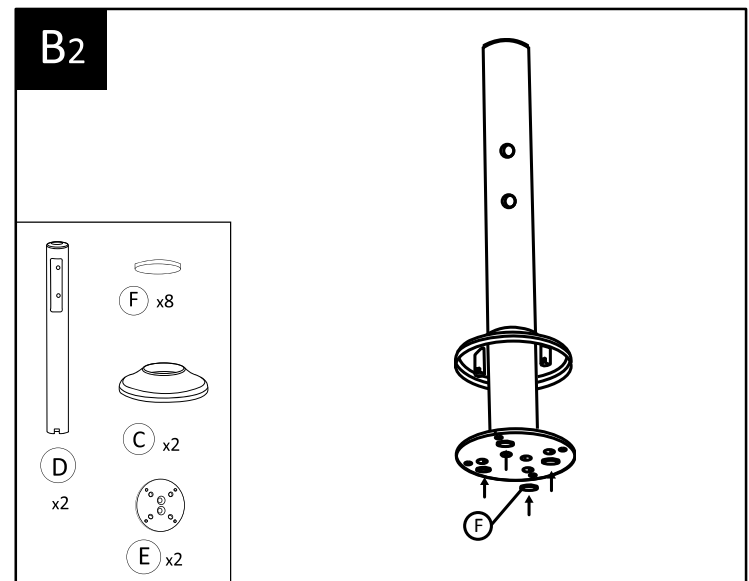
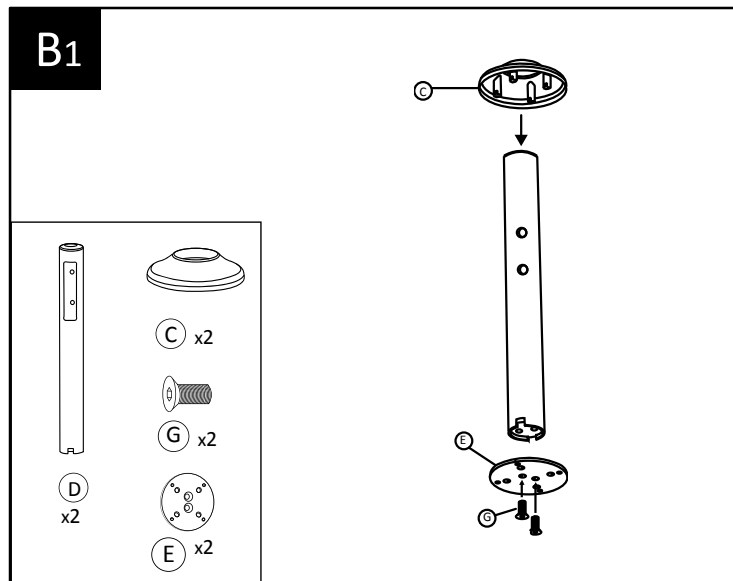


TWO OPTIONS : A or B





OR



Screen arm installation

