





i

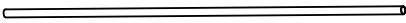
 x2

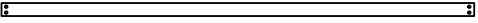
 8 min

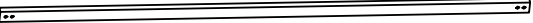



 www.my-unilux.com


+


C x3 


B x1 


A x2 


D x2 


E x2 

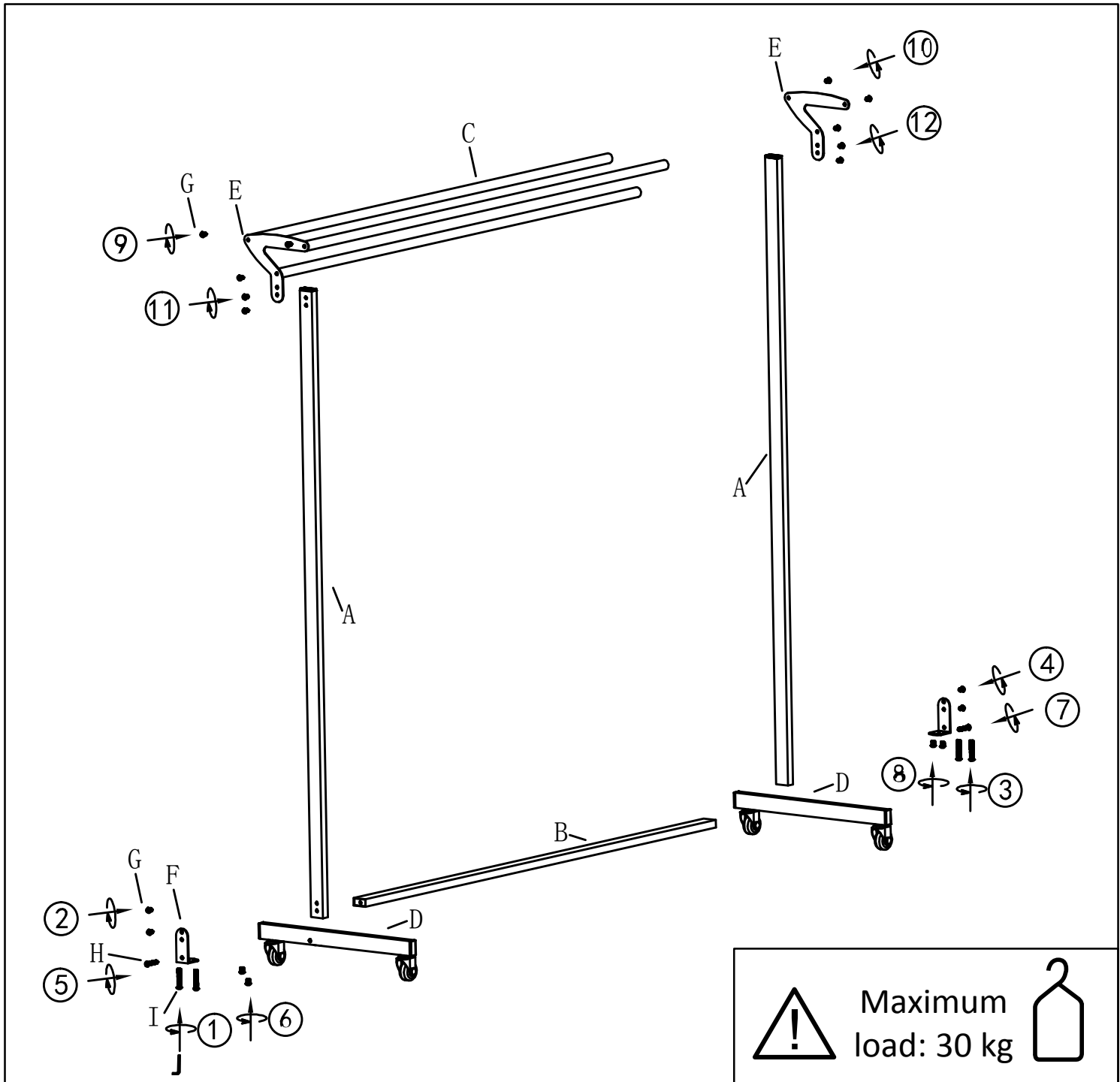
F x2 


G x18 

H x2 

I x4 

J x1 



 **Maximum load: 30 kg** 