



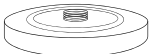


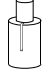
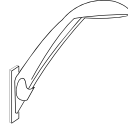





i  x1  4 mins  x1

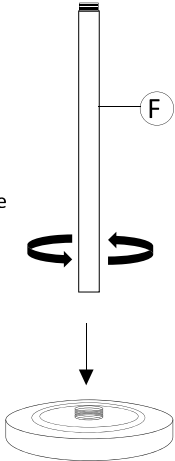
 www.my-unilux.com

+  (A) x1  (B) x1

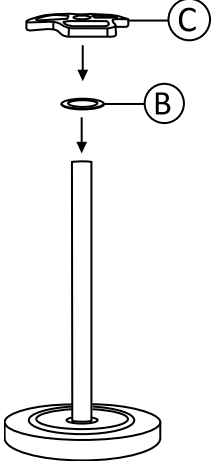
 (C) x1  (D) x2  (E) x6  (F) x1  (G) x1  (H) x1

1

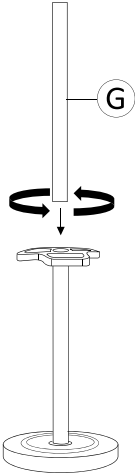
Screw the first tub to the base



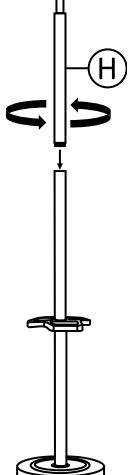
2



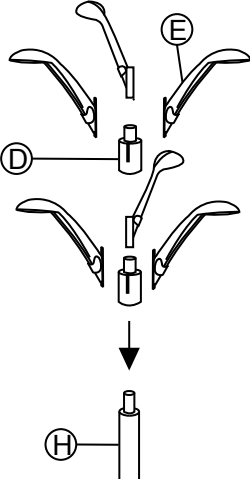
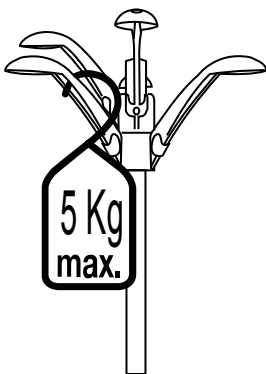
3



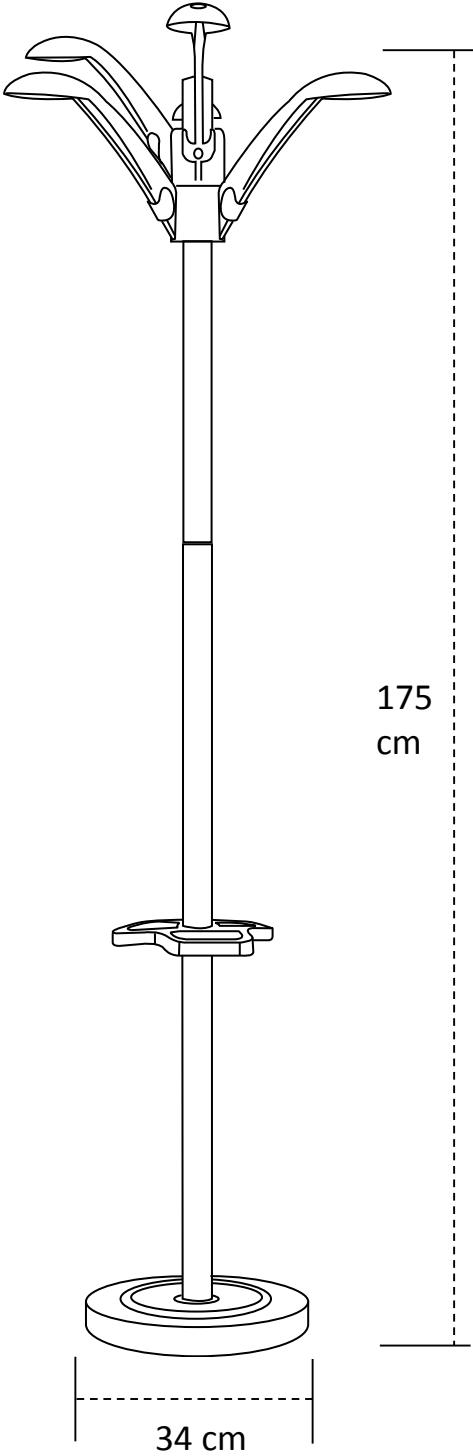
4



5

The coat stand can support until 5 kilos for each peg.



175 cm

34 cm