





i


 x1


 4 mins

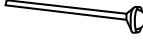
 x1


 www.my-unilux.com


+


A x1 


B x1 


C x4 

D x4 

E x1 

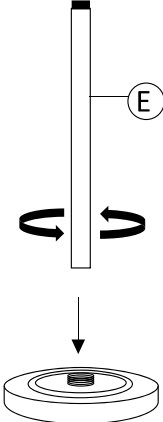
F x1 

G x1 

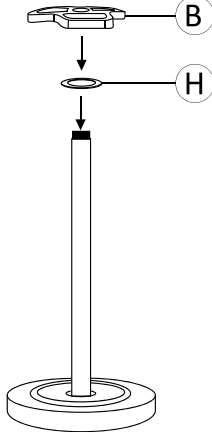
H x1 

1

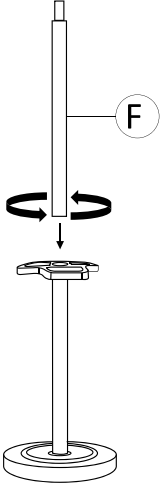
Screw the first tub to the base



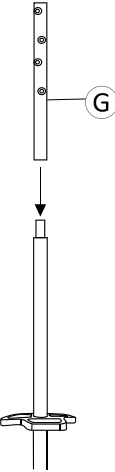
2



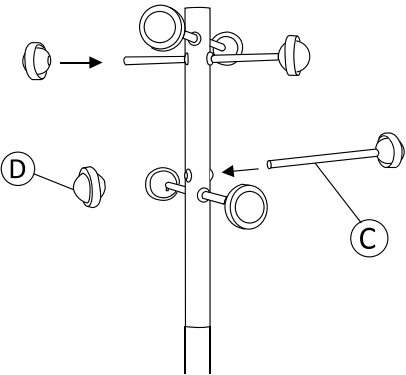
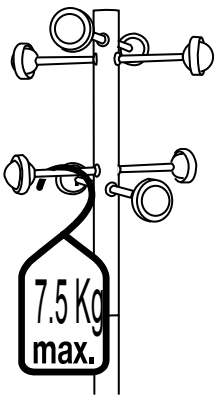
3



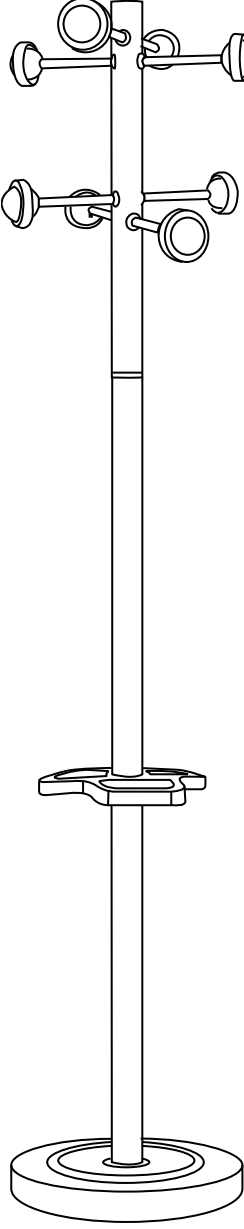
4



5

The coat stand can support until 7,5 kilos for each peg.



175 cm

34 cm