



UNILUX

ROLLER FEET

ROLLER FEET

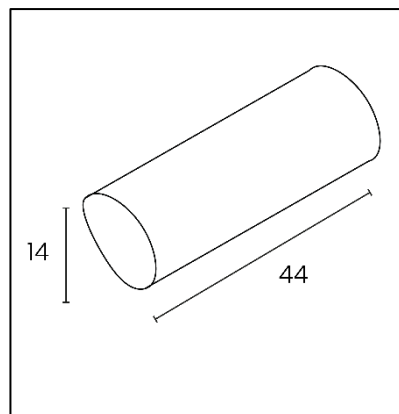
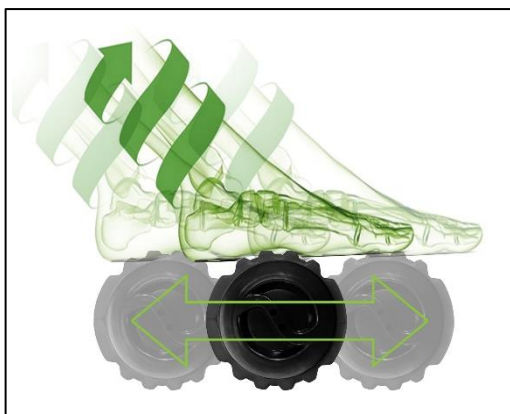


- **Innovative and ergonomic:** the 1st cylindrical footrest inspired by the massage roller. Its smooth part is ideal for improving your blood circulation and its multi-dimensional textured surface will allow you to benefit from the benefits of "reflexology".
- **Reflexology:** it is a therapeutic method that relieves the body through the foot. It uses the body's natural self-healing process. The foot is a miniature representation of the human body where each area corresponds to an organ or part of the human body.
- **Comfort and well-being:** allows a deep massage of the muscles thanks to the weight of the body. Its resistant, comfortable and structured EVA foam allows muscle relaxation.
- **Easy to use:** this new generation footrest is used without shoes and encourages the user to reduce sedentary work by making it more dynamic. Through back and forth movements with your feet, you'll be more productive, less tired and less stressed.
- **"Massage roller" design:** its cylindrical shape has two surfaces, one smooth firm and resistant and the other with a relief in the form of pins distributed along the FEET ROLLER giving the impression of feeling fingers during the massage.
- **Reliable and Resistant:** Designed to withstand heavy use, EVA foam is very resistant, it will not sag under pressure.



Do not stand on it

- Supports a weight up to 120 Kg
- Dimensions: width: 44 cm/ diameter: 14 cm
- Cleans easily with a slightly damp cloth and soap
- Materials: EVA foam/ PVC plastic tips



Characteristics

SAP no.	400125220
Color	Black
Tilt	/
Dimensions	44 cm x 14 cm
Head adjustment front	/
Head adjustment rear	/
Non-slip	Yes
Net weight	1,3 kg
Warranty	2 years
EAN code	3595560029914

OUR CSR COMMITMENTS

1. All our lighting are **100% repairable** thus limiting planned obsolescence.
2. Reduce our carbon footprint through our **ECO-DESIGN THINKING** approach.
3. Contribute to the preservation of the planet's natural resources by promoting the use of **recycled materials**.
4. Optimize our packaging to control our **transport costs**.
5. Highlight the **talent of our employees** by ensuring social equality.

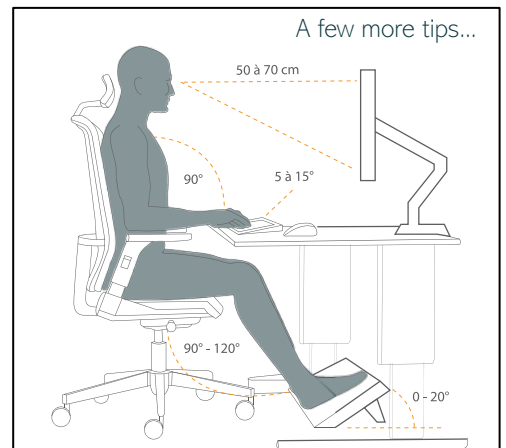
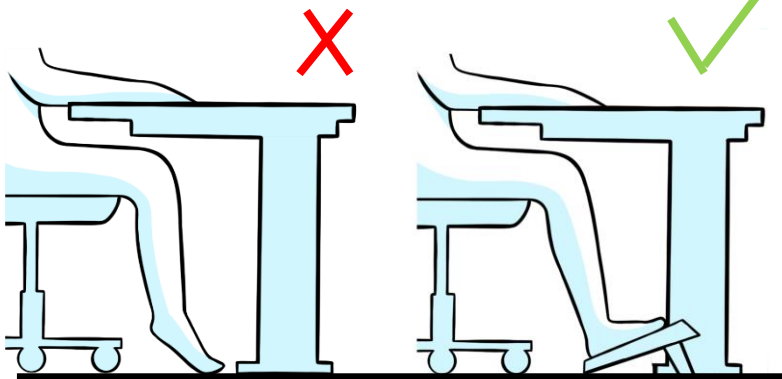
OUR EXPERTISE

Why use a footrest?

You have to clearly define your needs. This is why we advise you on the elements to take into account to choose the right ergonomic footrest. An ergonomic footrest is to be considered on the same level as ergonomic mice or ergonomic stools. The use of a footrest is really necessary. There are categories of footrests.

1- footrests that have a fixed or adjustable tilting will allow some people to compensate for the fact that they do not touch the ground and to avoid any inconvenience at ankle level. Their feet will be flat and the knees at the right 90° angle.

2- the dynamic footrests allowing a back and forth rocking movement of your feet will activate your calf muscles like a pump which will stimulate your blood circulation thus avoiding the tingling at the origin of the "heavy legs" effect . Finally, each of these movements will increase your muscle tone and reduce muscle tension.

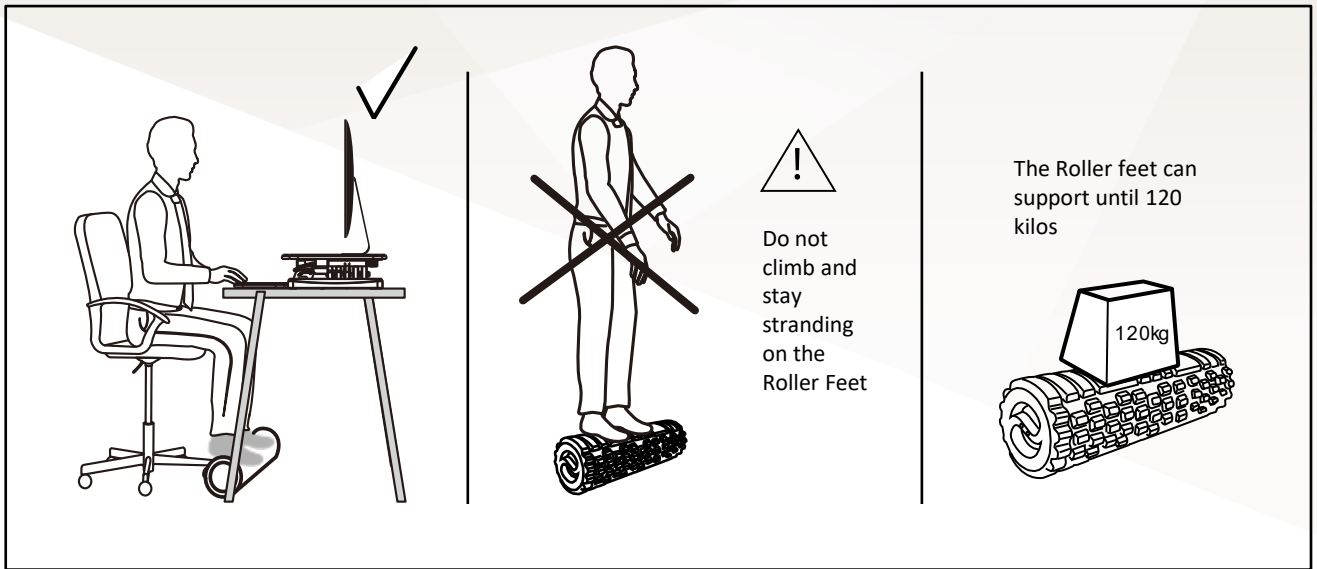


OUR CERTIFICATIONS

Unilux is committed to an eco-responsible approach and ensures that its products respect this commitment. Indeed, we are very concerned about current environmental issues and we aspire to respond as best as possible to the concerns of our consumers on this subject. Sustainable development is at the heart of our strategy and we act for the environment. You will find below the different certifications that Unilux has and that prove its environmental commitment.

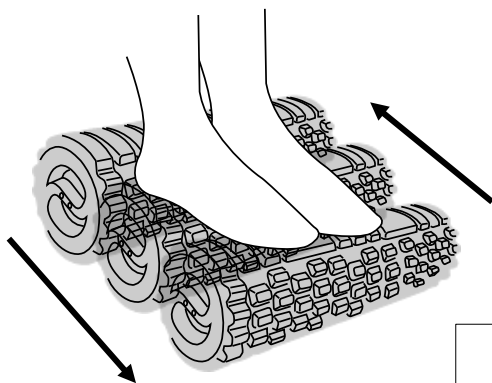


USER GUIDE



MASSING FOOT REST

Roller Feet is using reflexology



Do forward and backward movements without shoes

Benefits of the reflexology

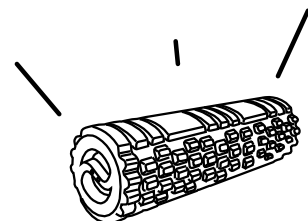
- Bring relaxation
- Release stress and nervous tensions
- Energize the body
- Harmonize vital function/immune system and digestive disorders
- Functional disorders

HOW TO WASH IT ?

PVC plastic



Use water and soap with a delicate textile to clean the surface of the roller feet.



Your roller feet is clean now!

30 products available on pCon Planner

You will be able to obtain data on many UNILUX or OFML standard products and integrate them quickly and easily into 3D space layouts via pCon.



Download on our E-shop

Always available: photos in HD, data sheets, instruction manual, repairability instructions for all our products.



Do you have any questions?

Our after-sales service is always at your disposal

Tèl: +33 1 81 86 06 03

E-mail: contact.unilux@hamelinbrands.com

17 avenue du Parc TECHNOPOLES

91380 Chilly Mazarin – France

Tèl: +33 1 81 86 06 00

www.my-unilyx.com

E-mail: contact.unilux@hamelinbrands.com

UNILUX