



UNILUX

SLIM

SLIM

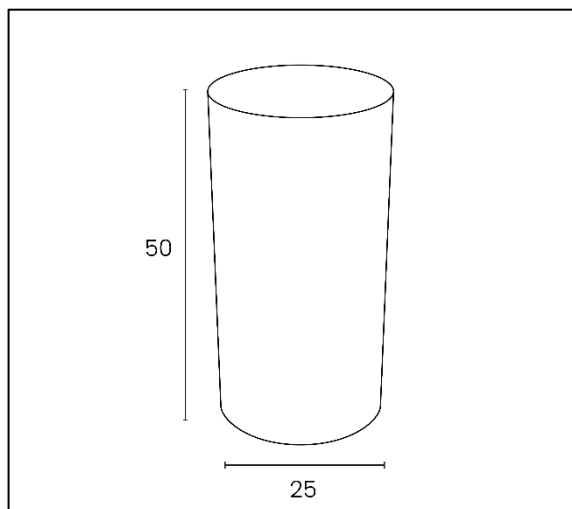


- **Versatility:** 2 hooks for folding umbrellas. With a height of 50 cm, this umbrella stand is ideal for long umbrellas (capacity of 9 umbrellas) and walking sticks.
- **Stable and manoeuvrable:** its metal base, with felt to avoid scratching the floor, is perfect for high-traffic areas.
- **Easy to handle:** two side handles make it easy to place wherever you want.
- **Ventilation:** the many perforations are ideal for drying umbrellas.
- **Available in two colours:** black or grey

Base: 0.35 Kg / diameter 25 cm

Height: 50 cm

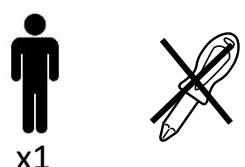
Materials: Epoxy-painted steel base/ Polypropylene plastic barrel




SAP no.	Color	Dimensions	Umbrellas capacity	Warranty	Net weight	EAN code
400109022	Grey	25 x 25 x 50 cm	9	2 ans	0,83 kg	3595560027859
400109020	Black	25 x 25 x 50 cm	9	2 ans	0,83 kg	3595560027859

USER GUIDE

i

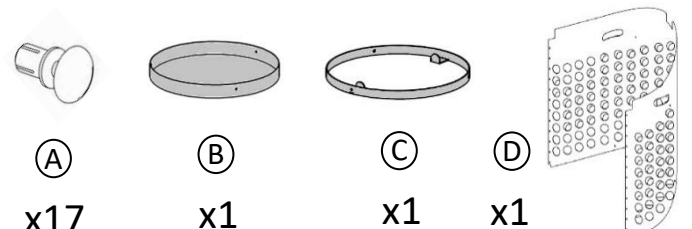


x1



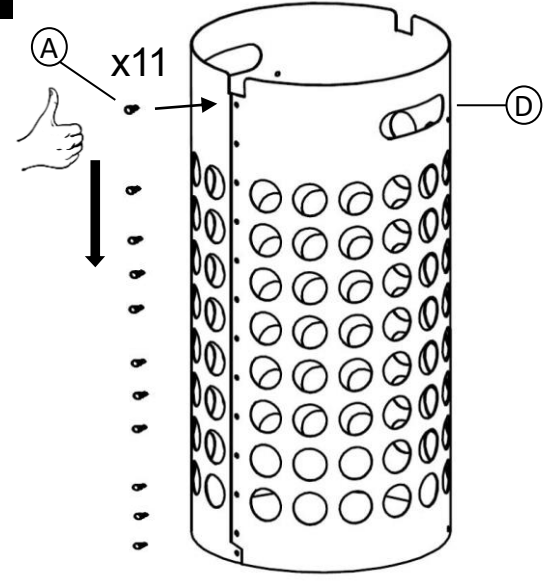
www.my-unilux.com

+



(A) x17 (B) x1 (C) x1 (D) x1

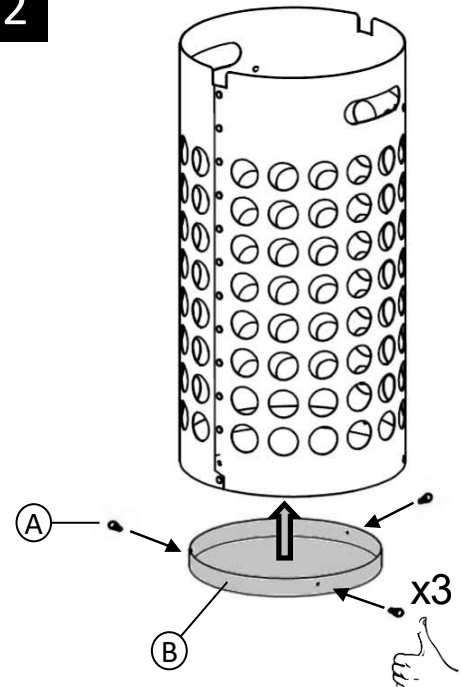
1



(A) x11

(D)

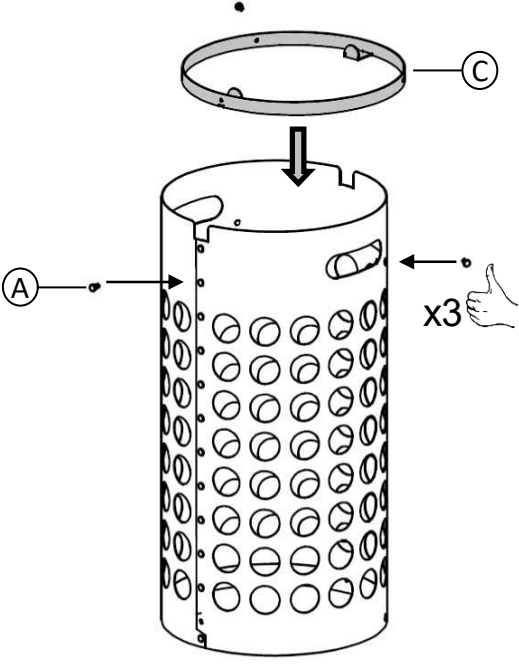
2



(A) x3

(B)

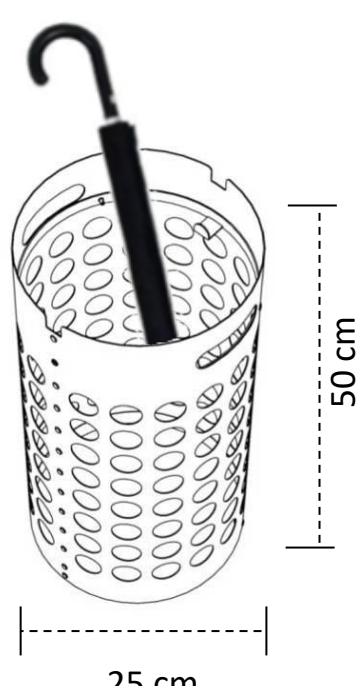
3



(C)

(A) x3

4



50 cm

25 cm

30 products available on pCon Planner

You will be able to obtain data on many UNILUX or OFML standard products and integrate them quickly and easily into 3D space layouts via pCon.



Download on our E-shop

Always available: photos in HD, data sheets, instruction manual, repairability instructions for all our products.



Do you have any questions?

Our after-sales service is always at your disposal

Tèl: +33 1 81 86 06 03

E-mail: contact.unilux@hamelinbrands.com

17 avenue du Parc TECHNOPOLES

91380 Chilly Mazarin – France

Tèl: +33 1 81 86 06 00

www.my-unilyx.com

E-mail: contact.unilux@hamelinbrands.com

UNILUX