



UNILUX

ZOOM



- **Precision:** ideal for all precision work (watchmaking, microelectronics, dermatology, dental prosthetics, manicure, leisure activities). Equipped with a Ø 9.5cm lens of 3 diopters (x1.75), without distortion on the sides and an over-lens of 12 diopters (x7) for optimal magnification.
- **Flexibility:** its adjustable arm and head that can be rotated in all directions make it easier to direct the light beam.
- **Modern and practical design:** this ultra-handry technical lamp will be very useful for precision tasks such as sewing, jewelry making, and watchmaking.
- **Optimal and bright lighting:** the LED lighting of this lamp offers glare-free, uniform light that does not harm your eyes.
- **Practical:** equipped with a dust cover.

Warranty: 2 years

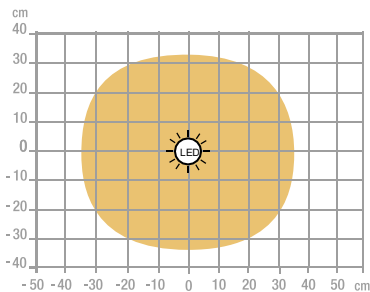
Max height: 80 cm/ minimum height: 29 cm Materials: steel arm and clamp with epoxy paint, ABS plastic head/ equipped with glass lens



Professional replaceable light source (LED only)

Characteristics

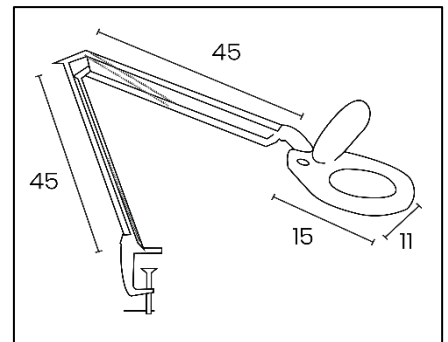
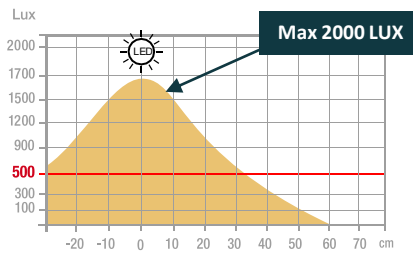
Measurement in Lux on the worktop in top view at 35 cm:



> 500 Lux

< 500 Lux

Measurement in Lux on the worktop in profile view at 35 cm:

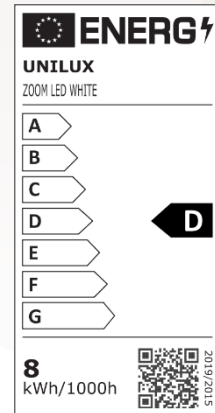


SAP no.	400108073
EAN code	3595560027682
Colors	White
Luminous flow	944
Lux at 35cm	2000
Lm/W	118
Color T° (K)	6200
CRI	84
Source Lifetime (h)	50 000
Energy consumption (kWh/1000 h)	8
USB Port	No
Inductive charger	No
Net weight (kg)	1,77

OUR CSR COMMITMENTS

1. All our lighting are **100% repairable** thus limiting planned obsolescence.
2. Reduce our carbon footprint through our **ECO-DESIGN THINKING** approach.
3. Contribute to the preservation of the planet's natural resources by promoting the use of **recycled materials**.
4. Optimize our packaging to control our **transport costs**.
5. Highlight the **talent of our employees** by ensuring social equality.

Energy class



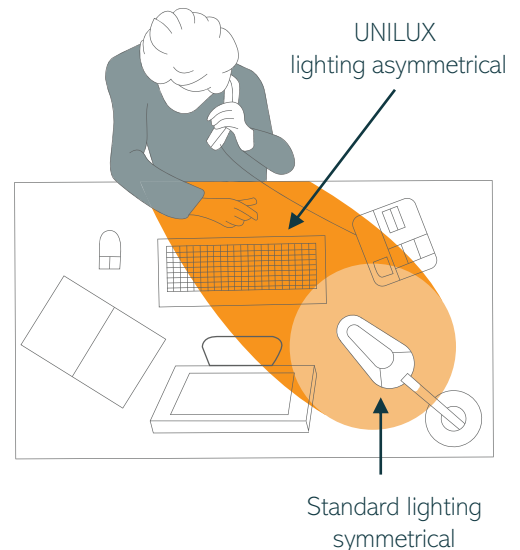
OUR EXPERTISE

1-Why use auxiliary lighting?

We are regularly subjected to constant artificial lighting in the office, which takes no account of our biological rhythms. Poor lighting quality can cause headaches, sleep disorders and loss of concentration. According to a recent study, only 34% of offices achieve the level of illumination of 500 lux recommended by Occupational Medicine in accordance with DIN EN 12464-1*.

2-How to light your workspace?

- Position the lamp head at least 35 cm above the worktop. work surface.
- Place the lamp on the opposite side to the hand that is holding the mouse or writing.
- Use lamps with asymmetrical lighting to reduce eyestrain, which can lead to eye irritation, headaches, loss of concentration, reduced productivity, etc.
- Position the lamp so that it is easy to adjust and so that the light is in the right place.
- Avoid reflections from shiny surfaces.
- Limit direct glare from bright light in the field of vision and indirect glare from bright light in the field of vision. in the field of vision and indirect glare from the reflection of light from the reflection of light in the field of vision, on a work surface walls or objects.



OUR CERTIFICATIONS

Unilux is committed to an eco-responsible approach and ensures that its products respect this commitment. Indeed, we are very concerned about current environmental issues and we aspire to respond as best as possible to the concerns of our consumers on this subject. Sustainable development is at the heart of our strategy and we act for the environment. You will find below the different certifications that Unilux has and that prove its environmental commitment.



UNILUX

* DIN EN 12464-1 (DIN 5035-1): European standard which determines the lighting requirements for workstations in closed places, these satisfying the needs of comfort and visual performance. DIN EN 12464-1 replaced DIN 5035-1

30 products available on pCon Planner

You will be able to obtain data on many UNILUX or OFML standard products and integrate them quickly and easily into 3D space layouts via pCon.



Download on our E-shop

Always available: photos in HD, data sheets, instruction manual, repairability instructions for all our products.



Do you have any questions?

Our after-sales service is always at your disposal

Tèl: +33 1 81 86 06 03

E-mail: contact.unilux@hamelinbrands.com

17 avenue du Parc TECHNOPOLES

91380 Chilly Mazarin – France

Tèl: +33 1 81 86 06 00

www.my-unilyx.com

E-mail: contact.unilux@hamelinbrands.com

UNILUX