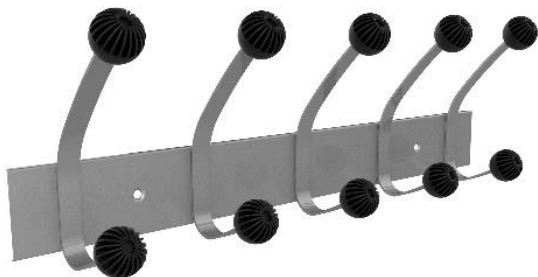
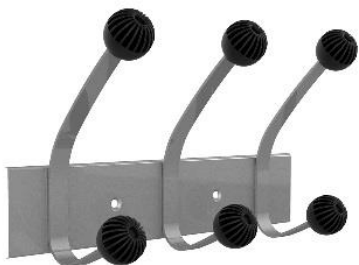
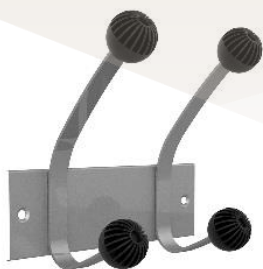




UNILUX

HAKEA coat pegs

HAKEA x2/x3/x5



- **Contemporary design:** its dynamic look, beautiful gray metal finishes make these coat hooks the ideal accessory for your office.
- **Functional:** double hooks available in three different sizes x2, x3, x5.
- **Use:** individual or collective use.
- **Fixation:** supplied with mounting kit containing screws and plugs for easy attachment to all surfaces.

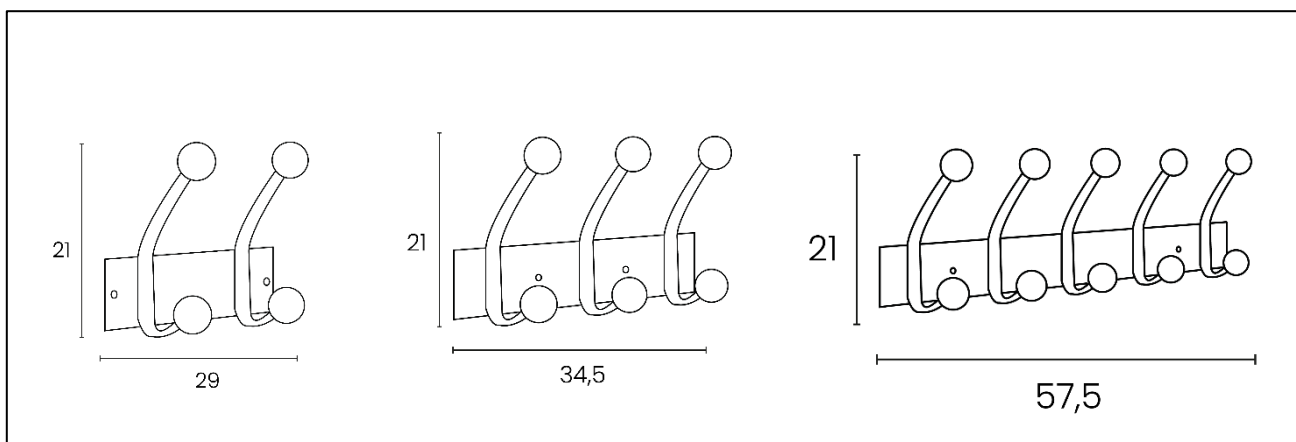
Supports up to 40 kg

Dimensions 2 hooks: 24,5 cm x 25 cm

Dimensions 3 hooks: 24,5 cm x 38,5 cm

Dimensions 5 hooks: 24,5 cm x 66,5 cm

Materials: high quality steel with epoxy paint and ABS plastic



SAP no.	Colors	Size	Number coat peg	Max lift	Warranty	Net weight	EAN code
400095645	Metal grey	H24,5 x L25 cm	2	40 kg	2 years	0,65 kg	3595560026241
400095646	Metal grey	H24,5 x L38,5 cm	3	40 kg	2 years	1 kg	3595560026258
400095647	Metal grey	H24,5 x L66,5 cm	5	40 kg	2 years	1,73 kg	3595560026265

30 products available on pCon Planner

You will be able to obtain data on many UNILUX or OFML standard products and integrate them quickly and easily into 3D space layouts via pCon.



Download on our E-shop

Always available: photos in HD, data sheets, instruction manual, repairability instructions for all our products.



Do you have any questions?

Our after-sales service is always at your disposal

Tèl: +33 1 81 86 06 03

E-mail: contact.unilux@hamelinbrands.com

17 avenue du Parc TECHNOPOLIS

91380 Chilly Mazarin – France

Tèl: +33 1 81 86 06 00

www.my-unilyx.com

E-mail: contact.unilux@hamelinbrands.com

UNILUX