



UNILUX





EXTEND

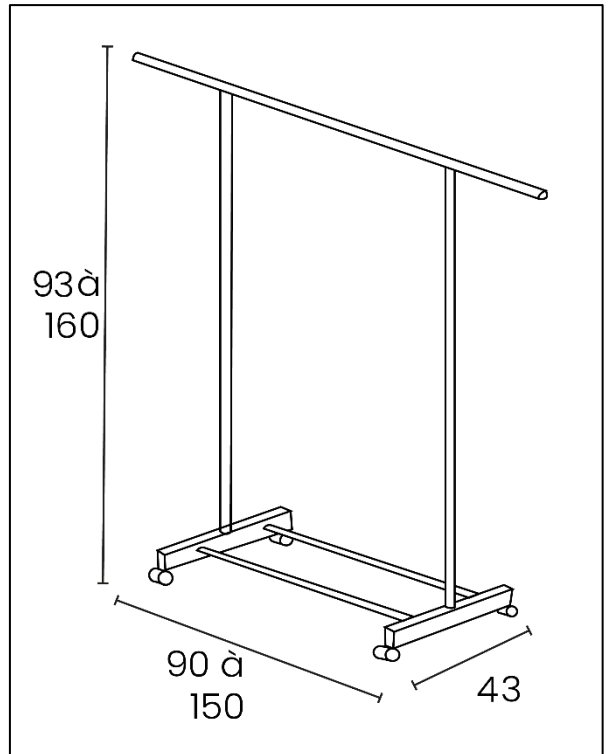
EXTEND



- **Functional:** this cloakroom has a telescopic upper bar adjustable in height and width to organize effortlessly and hang your clothes.
- **Versatile:** perfect for both individuals and professionals
- **Classic design:** made of aluminum, this black and chrome cloakroom will perfectly match your workspace.
- **Easy to move:** this locker is equipped with 4 swivel castors for effortless movement.
- **Easy assembly:** the assembly and disassembly is easy and fast to save time and space.

Diameter steel tubes: 2,5 cm
 Height: min: 93 cm, max: 160 cm
 Length: mini: 90cm, max: 150 cm
 Depth: 43 cm
 Maximum load: 20 kg
 Supports up to 40 hangers
 Materials: high quality chrome steel and ABS plastic




Coat hangers KLASSIK Réf. 100340719	Coat hangers LOCKY Réf. 100340718	Coat hangers VESTA Réf. 100340725	Coat hangers WOODY Réf. 100340720
			
1 set of 20 pieces	1 set of 20 pieces	1 set of 25 pieces	1 set of 25 pieces














SAP no.	Color	Capacity	Size	Assembly time	Net weight	Warranty	EAN code
400074533	Black/Chromium	40 coat-hangers	Maxi: 160 x 150 x 43 cm Mini: 93 x 90 x 43cm	5 minutes	1,93 kg	2 years	3595560012459

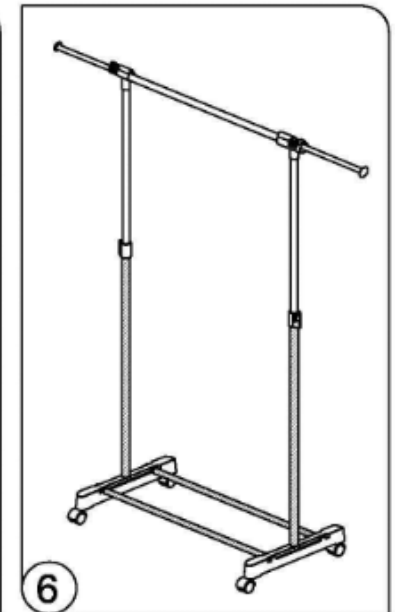
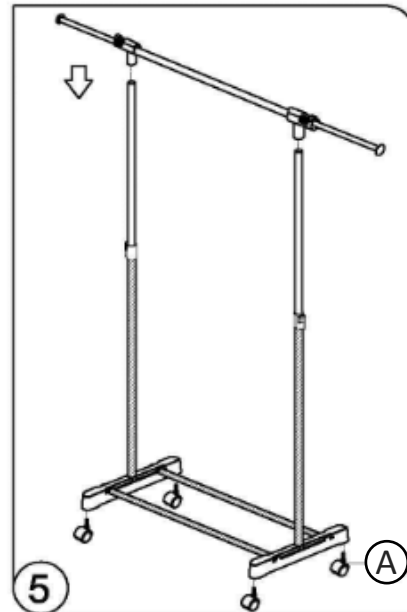
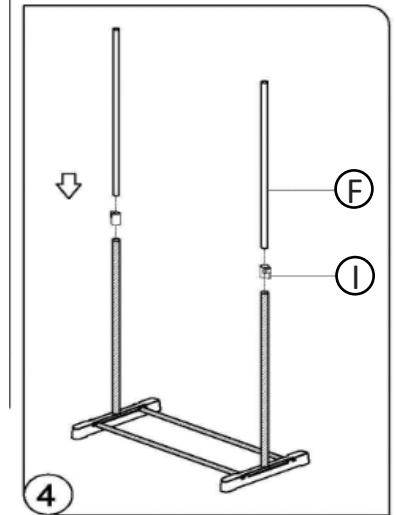
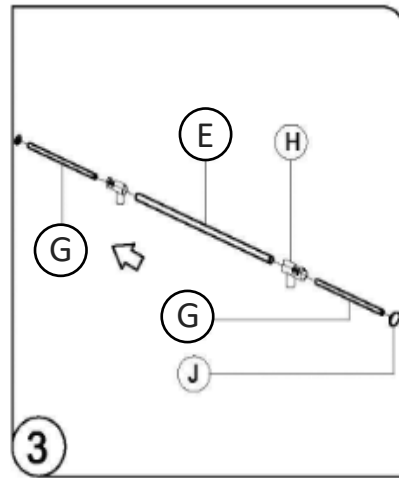
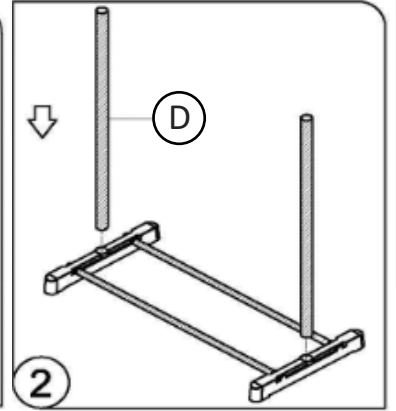
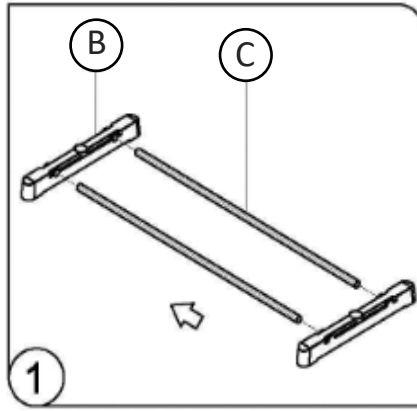
EXTEND

i

 x1  5 min 

 www.my-unilux.com

No.	Part	Pcs
C		2
D		2
F		2
E		1
G		2
B		2
I		2
H		2
A		4
J		2



30 products available on pCon Planner

You will be able to obtain data on many UNILUX or OFML standard products and integrate them quickly and easily into 3D space layouts via pCon.



Download on our E-shop

Always available: photos in HD, data sheets, instruction manual, repairability instructions for all our products.



Do you have any questions?

Our after-sales service is always at your disposal

Tèl: +33 1 81 86 06 03

E-mail: contact.unilux@hamelinbrands.com

17 avenue du Parc TECHNOPOLES

91380 Chilly Mazarin – France

Tèl: +33 1 81 86 06 00

www.my-unilyx.com

E-mail: contact.unilux@hamelinbrands.com

UNILUX