



UNILUX

---

GROOM



- **Functional:** designed to store all types of clothing (coats, jackets), the lower shelf will be used to place items not suitable for hanging such as bags, helmets.
- **Versatile:** perfect for professional or home use.
- **Classic design:** solid, elegant, with an excellent quality / price ratio, this practical carrier for all occasions will adapt to any type of workspace.
- **Easy to move:** this locker is equipped with 4 swivel castors for effortless movement.

Diameter steel tubes: 2,5 cm

Height: 165 cm

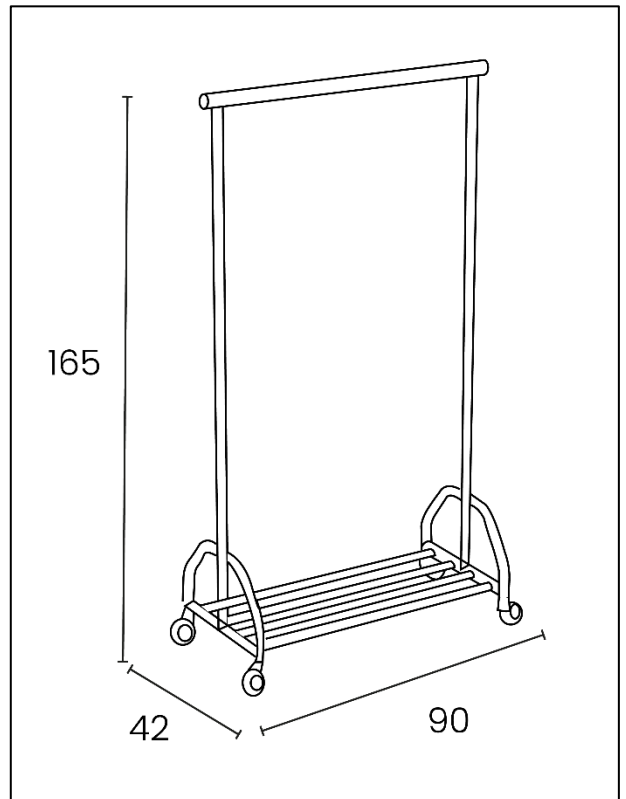
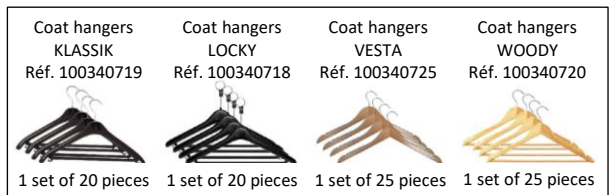
Length: 90 cm

Depth: 42 cm

Maximum load: 55 kg


Supports up to 40 hangers

Materials: high quality chromed steel and ABS plastics (casters)





SAP no.	Colors	Max load	Dimensions	Assembly time	Warranty	Net Weight	EAN code
400050647	Chromium	40 coat hangers	L90xH165xP42 cm	5 minutes	2 years	5,14 kg	3595560009190


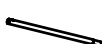









**i**

 x2

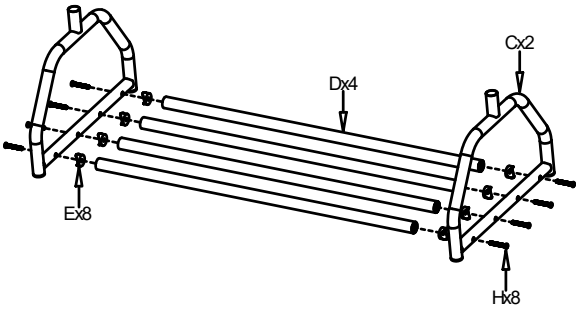
5 min



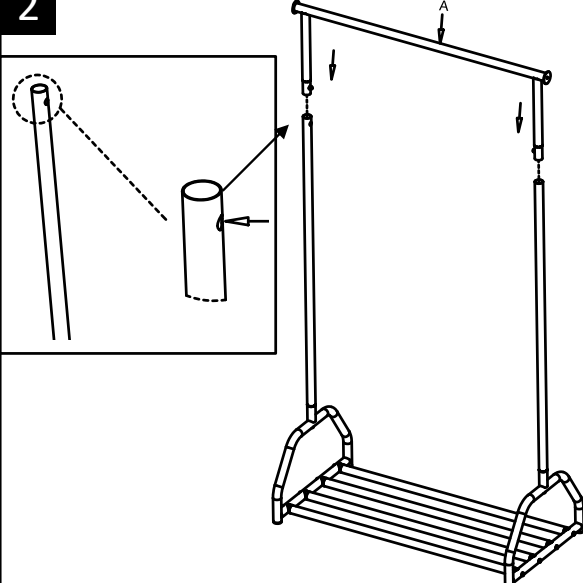
 [www.my-unilux.com](http://www.my-unilux.com)

<b>A</b>  x1	<b>B</b>  x2	<b>C</b>  x2
<b>D</b>  x4	<b>E</b>  x8	<b>F</b>  x2
<b>G</b>  x2	<b>H</b>  x8	<b>I</b>  x2
<b>J</b>  x1	<b>K</b>  x1	

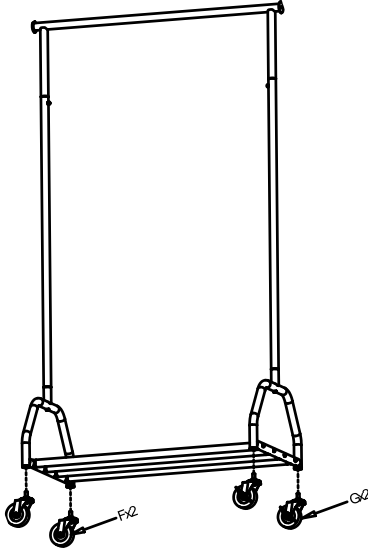
**1**



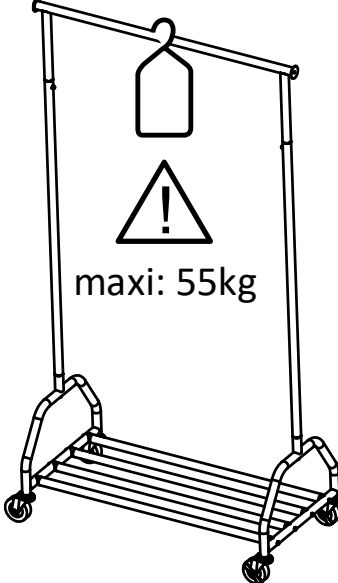
**2**



**3**



**4**



maxi: 55kg

## 30 products available on pCon Planner

You will be able to obtain data on many UNILUX or OFML standard products and integrate them quickly and easily into 3D space layouts via pCon.



## Download on our E-shop

Always available: photos in HD, data sheets, instruction manual, repairability instructions for all our products.



## Do you have any questions?

Our after-sales service is always at your disposal

Tèl: +33 1 81 86 06 03

E-mail: [contact.unilux@hamelinbrands.com](mailto:contact.unilux@hamelinbrands.com)

17 avenue du Parc TECHNOPOLES

91380 Chilly Mazarin – France

Tèl: +33 1 81 86 06 00

[www.my-unilyx.com](http://www.my-unilyx.com)

E-mail: [contact.unilux@hamelinbrands.com](mailto:contact.unilux@hamelinbrands.com)

UNILUX