



UNILUX

INCLINEA



- **Ergonomic:** This floor lamp is equipped with a grip handle located on the arm for a tilting movement of the lamp at will according to the needs of the user. INCLINEA LED allows you to move the light on the worktop. The luminaire switch is located on the cord for easy access.
- **Qualitative finishes:** The INCLINEA LED floor lamp is made of high quality brushed metal. Its white fabric lampshade lets filter what is needed of light.
- **Stability:** weighted base that ensures perfect stability of the floor lamp in areas of large passages.
- **Uniform light diffusion:** indirect lighting without glare, you will benefit from quality auxiliary lighting.

Warranty: 2 years

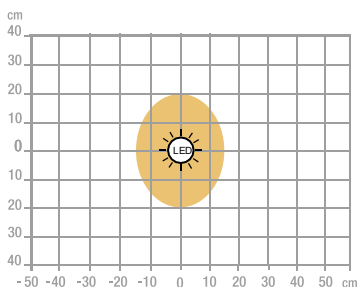
Materials: high-quality steel with Epoxy paint finish and fabric shade



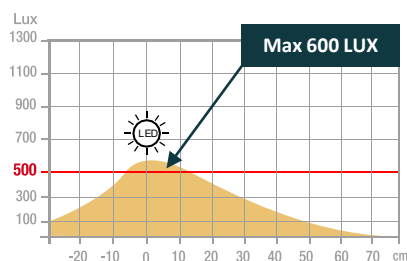
End user replaceable light source (LED only)

Characteristics

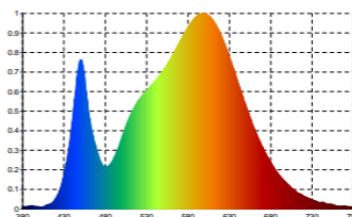
Measurement in Lux on the worktop view at 35 cm:



Measurement in Lux on the worktop in profile view at 35 cm:



Measurement in nanometers of the light spectrum



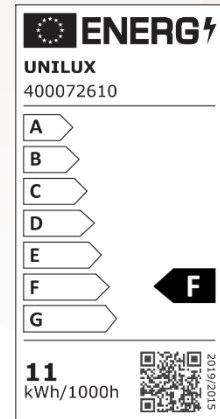
- 0 No-risk
- 1 Low-risk
- 2 Moderate-risk
- 3 High-risk

SAP. code	400032380
EAN code	3595560005529
Colors	Brushed steel
Luminous flow (Lm)	915
Lux at 55 cm (indirect)	600
Luminous Efficiency (Lm/W)	83
Color T°(K)	3000 K
CRI	84
Source's lifetime (h)	30 000
Energy Consumption (kWh/1000h)	11
Net weight (kg)	5,71

OUR CSR COMMITMENTS

1. All our lighting are **100% repairable** thus limiting planned obsolescence.
2. Reduce our carbon footprint through our **ECO-DESIGN THINKING** approach.
3. Contribute to the preservation of the planet's natural resources by promoting the use of **recycled materials**.
4. Optimize our packaging to control our **transport costs**.
5. Highlight the **talent of our employees** by ensuring social equality.

Energy class



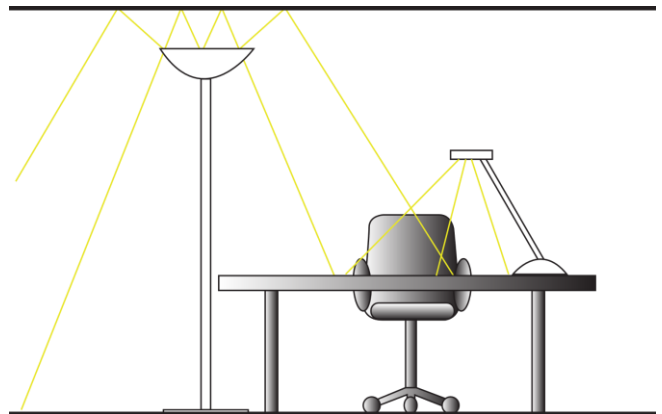
OUR EXPERTISE

1- Floor lamp with direct and indirect lighting: the ideal and optimal lighting on your desk

Because they're so easy to install and so decorative, indirect-lighting floor lamps are a firm favourite with the French! This floor lamp is ideal for illuminating a specific area of a room, or for adding a small, original decorative touch that will change the whole atmosphere of the room.

Thanks to its upward-directed light, which will reverberate off the ceiling, this floor lamp generally acts as a secondary or ambient light, providing you with high quality, high-performance lighting. It blends in perfectly with any room in your business:

- individual office
- open space
- meeting rooms
- high-traffic areas such as reception halls



Lighting according to DIN EN 12464-1 * for the office

- **300 Lux:** deposit, copy, circulation areas
- **500 Lux:** writing, reading, data processing
- **500 Lux:** at the reception and at the counter
- **750 Lux:** technical drawing

OUR CERTIFICATIONS

Unilux is committed to an eco-responsible approach and ensures that its products respect this commitment. Indeed, we are very concerned about current environmental issues and we aspire to respond as best as possible to the concerns of our consumers on this subject. Sustainable development is at the heart of our strategy and we act for the environment. You will find below the different certifications that Unilux has and that prove its environmental commitment.



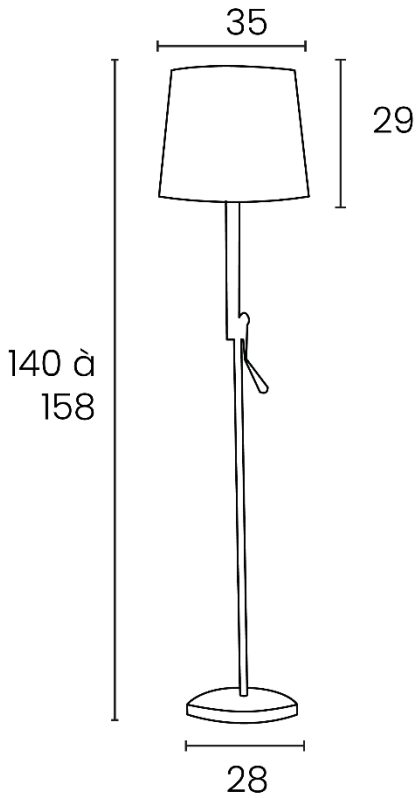
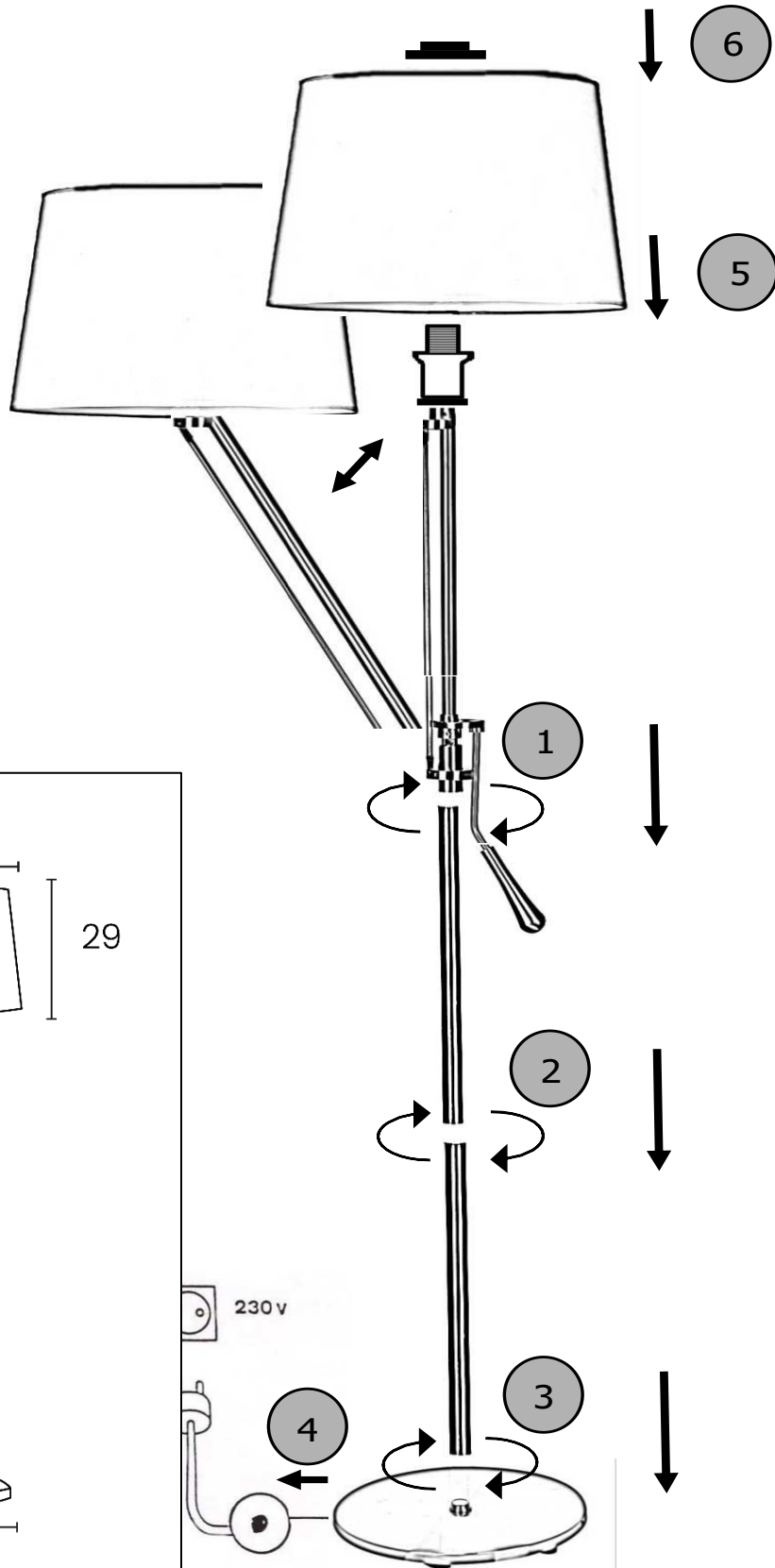
* DIN EN 12464-1 (DIN 5035-1): European standard which determines the lighting requirements for workstations in closed places, these satisfying the needs of comfort and visual performance. DIN EN 12464-1 replaced DIN 5035-1

USER GUIDE



E 27

max 11W LED



30 products available on pCon Planner

You will be able to obtain data on many UNILUX or OFML standard products and integrate them quickly and easily into 3D space layouts via pCon.



Download on our E-shop

Always available: photos in HD, data sheets, instruction manual, repairability instructions for all our products.



Do you have any questions?

Our after-sales service is always at your disposal

Tèl: +33 1 81 86 06 03

E-mail: contact.unilux@hamelinbrands.com

17 avenue du Parc TECHNOPOLES

91380 Chilly Mazarin – France

Tèl: +33 1 81 86 06 00

www.my-unilyx.com

E-mail: contact.unilux@hamelinbrands.com

UNILUX