



UNILUX

ORIGIN



- **Comfort:** adjustable footrest that elevates the legs to avoid tension in the back, shoulders and neck ensuring a good position of the spine.
- **Wellness:** it is equipped with a surface of round massage pimples in order to relieve tired feet by pressure points.
- **Reclining:** adjustable in height (10 to 13.5 cm) and inclination (10°, 15°), this footrest adapts to the morphology of its user thanks to a wheel system.
- **At work or at home:** this ergonomic footrest is the ideal accessory that will be your ally in your daily life.

Recommended by Occupational Medicine

Inclination: 10°, 15°

Dimensions of the area for putting the feet: 30 cm x 41 cm

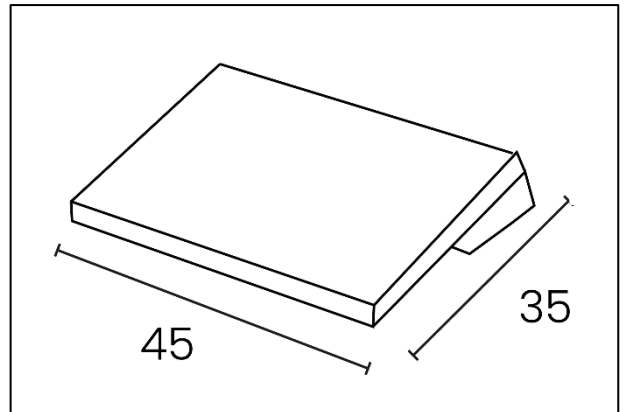
Dimensions: 35 cm x 45 cm

Materials: ABS plastic structure / non-slip PVC pads

Structure composed of 83% recycled materials



Do not stand on it



Characteristics

SAP no.	100340819
Color	Black
Tilt	10° et 15°
Dimensions	45 cm x 35 cm
Head adjustment front	2,5 cm
Head adjustment rear	13,5 cm
Non-slip	Yes
Net weight	1,0 kg
Warranty	10 years
EAN code	3595560010219

OUR CSR COMMITMENTS

1. All our lighting are **100% repairable** thus limiting planned obsolescence.
2. Reduce our carbon footprint through our **ECO-DESIGN THINKING** approach.
3. Contribute to the preservation of the planet's natural resources by promoting the use of **recycled materials**.
4. Optimize our packaging to control our **transport costs**.
5. Highlight the **talent of our employees** by ensuring social equality.

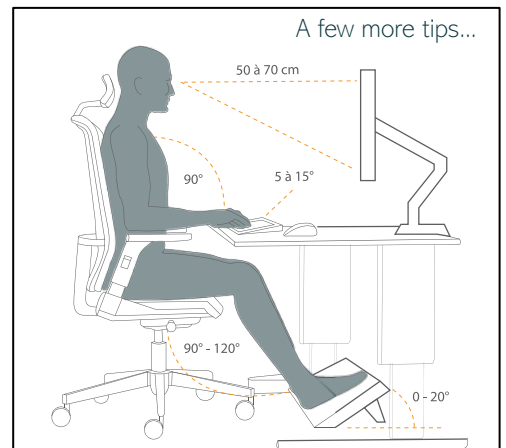
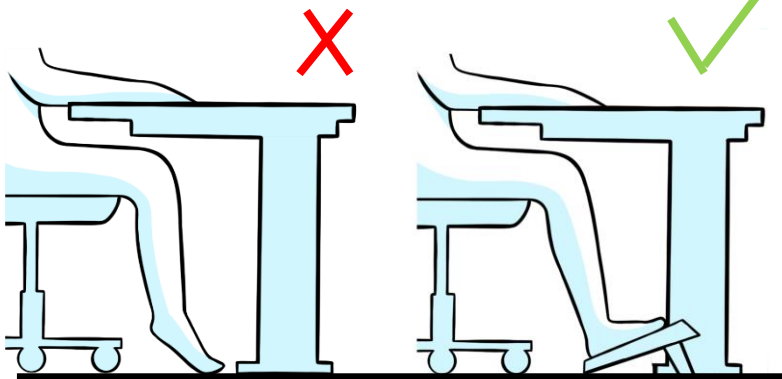
OUR EXPERTISE

Why use a footrest?

You have to clearly define your needs. This is why we advise you on the elements to take into account to choose the right ergonomic footrest. An ergonomic footrest is to be considered on the same level as ergonomic mice or ergonomic stools. The use of a footrest is really necessary. There are categories of footrests.

1- footrests that have a fixed or adjustable tilting will allow some people to compensate for the fact that they do not touch the ground and to avoid any inconvenience at ankle level. Their feet will be flat and the knees at the right 90° angle.

2- the dynamic footrests allowing a back and forth rocking movement of your feet will activate your calf muscles like a pump which will stimulate your blood circulation thus avoiding the tingling at the origin of the "heavy legs" effect . Finally, each of these movements will increase your muscle tone and reduce muscle tension.



OUR CERTIFICATIONS

Unilux is committed to an eco-responsible approach and ensures that its products respect this commitment. Indeed, we are very concerned about current environmental issues and we aspire to respond as best as possible to the concerns of our consumers on this subject. Sustainable development is at the heart of our strategy and we act for the environment. You will find below the different certifications that Unilux has and that prove its environmental commitment.



30 products available on pCon Planner

You will be able to obtain data on many UNILUX or OFML standard products and integrate them quickly and easily into 3D space layouts via pCon.



Download on our E-shop

Always available: photos in HD, data sheets, instruction manual, repairability instructions for all our products.



Do you have any questions?

Our after-sales service is always at your disposal

Tèl: +33 1 81 86 06 03

E-mail: contact.unilux@hamelinbrands.com

17 avenue du Parc TECHNOPOLES

91380 Chilly Mazarin – France

Tèl: +33 1 81 86 06 00

www.my-unilyx.com

E-mail: contact.unilux@hamelinbrands.com

UNILUX