



UNiLUX

CYPRES coat pegs

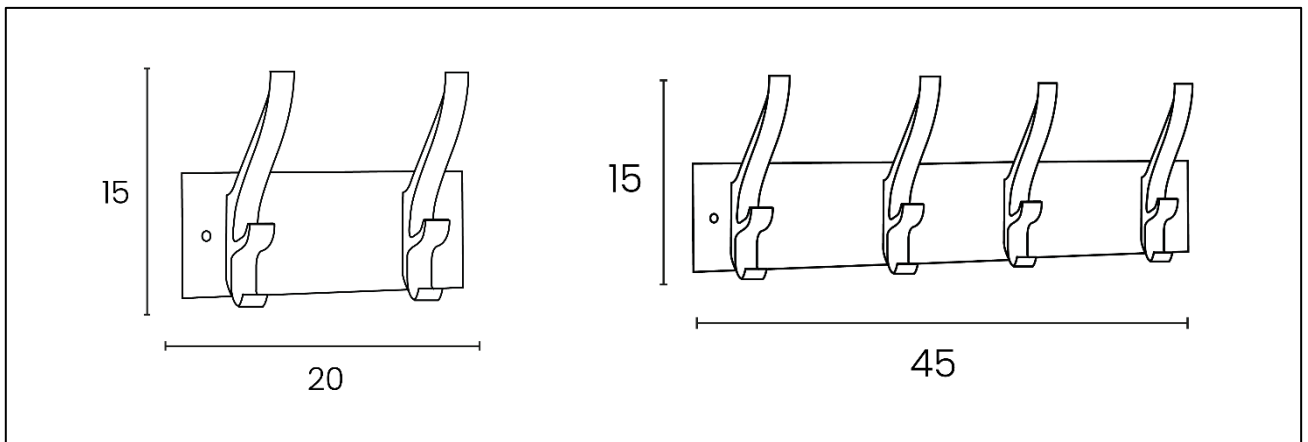
CYPRES x2/x4



- **Functional:** this triple hanging hook perfectly respects the clothes that it supports.
- **Modern design:** Made of recyclable aluminum and high-quality steel, this coat hook will fit all workspaces.
- **Robust:** supports up to 50 kg of load by not deforming clothes.
- **Fixation:** delivered with its mounting kit containing screws and plugs for easy attachment to surfaces of all types.



Supports up to 50 kg
 Dimensions 2 hooks: 15 cm x 20 cm x 8 cm
 Dimensions 4 hooks: 15 cm x 45 cm x 8 cm
 Materials: quality steel with epoxy and aluminum



SAP no.	Color	Dimensions	Number of coat- pegs	Maximum weight	Warranty	Net weight	EAN code
100340804	Black Alu	H15 x L20 x P8 cm	2	50 kg	2 years	0,35 kg	3595560009589
100340805	Black Alu	H15 x L45 x P8 cm	4	50 kg	2 years	0,7 kg	3595560009879

30 products available on pCon Planner

You will be able to obtain data on many UNILUX or OFML standard products and integrate them quickly and easily into 3D space layouts via pCon.



Download on our E-shop

Always available: photos in HD, data sheets, instruction manual, repairability instructions for all our products.



Do you have any questions?

Our after-sales service is always at your disposal

Tèl: +33 1 81 86 06 03

E-mail: contact.unilux@hamelinbrands.com

17 avenue du Parc TECHNOPOLES

91380 Chilly Mazarin – France

Tèl: +33 1 81 86 06 00

www.my-unilyx.com

E-mail: contact.unilux@hamelinbrands.com

UNILUX