



UNILUX

---

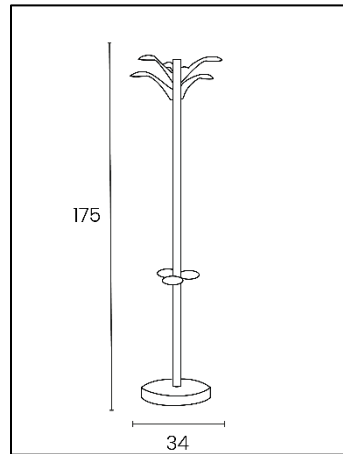
FLORA 6

# FLORA 6



- **Modern design:** thanks to its curved and soft shape, the hooks of this coat rack give it a contemporary look that will harmonize perfectly with all types of workspaces.
- **Functional:** this coat rack, with rotating head has 6 sturdy hooks, ensuring the perfect support of clothes.
- **Smart:** equipped with an umbrella stand that can accommodate up to 9 umbrellas simultaneously and a drainer.
- **Convenient:** easy and fast assembly (in 4mins) without tools
- **Available in two colours:** black/ black or black barrel/ metal grey barrel

6 hooks + 12 hooks  
 Height: 175 cm  
 Diameter tube: 3.7 cm  
 Weighted base: 5.6 kg  
 Base diameter: 34 cm  
 Materials: steel barrel with Epoxy paint/ Polypropylene plastic hooks/  
 Polypropylene umbrella door  
 Recyclability: dismantling and reintegrating materials into the material use circuit



SAP no.	100340711	100340712
EAN code	3595560015757	3595560015825
Colors	Black	Grey metal
Height	175 cm	175 cm
Base diameter (cm)	34 cm	34 cm
Base net weight (kg)	5,6 kg	5,6 kg
Maximum Load (kg)		
Revolving head	Yes	Yes
Umbrella stand	Yes	Yes
Capacity of umbrellas	9	9
Drip tray	Yes	Yes
Mounting (min)	4 mins	4 mins
Net weight: Kg	7,4	7,4

# OUR CSR COMMITMENTS

---

1. All our lighting are **100% repairable** thus limiting planned obsolescence.
2. Reduce our carbon footprint through our **ECO-DESIGN THINKING** approach.
3. Contribute to the preservation of the planet's natural resources by promoting the use of **recycled materials**.
4. Optimize our packaging to control our **transport costs**. 65%
5. Highlight the **talent of our employees** by ensuring social equality.

## OUR EXPERTISE

---

### Why invest in a coat stand ?

Depending on the size of our workspace, our office can quickly become a storage nightmare. We've got so much to put away! However, the key is to organize them so that they don't take over. One way of doing this is to invest in free-standing coat stands. These are essential items that you can use to store your belongings in one place. It's an item you can use to hang your coats, hats, scarves, bags, umbrella, .... You name it.

### What are the advantages of investing in a coat stand ?

There are many advantages to investing in a floor-standing coat stand:

- Made from high-quality materials
- Easy to assemble and maintain for years of use
- Helps keep your home clutter-free by giving you extra space to hang jackets, handbags, umbrellas, etc.

### Here are 4 important criteria for choosing a good coat stand

**The material:** A common problem with workspaces fitted with coat racks is that they are not strong enough to support the weight of heavy winter clothes during the colder months. So it's important to choose solid materials - we recommend investing in something like steel or, more eco-consciously, wood.

- **Stability:** Freestanding coat racks are supported by a heavy steel base that makes them exceptionally stable. The stability of this type of coat stand is very important, especially in high-traffic areas such as reception halls, meeting rooms, break rooms, etc.
- **Capacity:** Depending on the number of people in the room, you'll need to choose a coat stand with more or less hooks. It's a criterion we don't pay much attention to, yet it's very useful if you want to be able to hang up all your staff's coats.
- **Design:** Finally, aesthetics play an increasingly important role since the COVID-19 crisis. More and more employees are looking to recreate a cocooning space in their office to improve their well-being. UNILUX offers a wide range of designs to suit all personalities.

## OUR CERTIFICATIONS


---

Unilux is committed to an eco-responsible approach and ensures that its products respect this commitment. Indeed, we are very concerned about current environmental issues and we aspire to respond as best as possible to the concerns of our consumers on this subject. Sustainable development is at the heart of our strategy and we act for the environment. You will find below the different certifications that Unilux has and that prove its environmental commitment.



# USER GUIDE

**i** x1  
x1  
4 mins  
x1

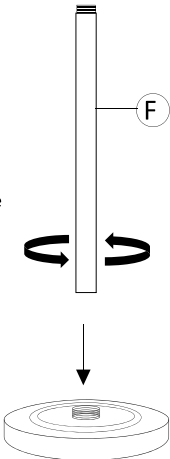
 [www.my-unilux.com](http://www.my-unilux.com)

**+**

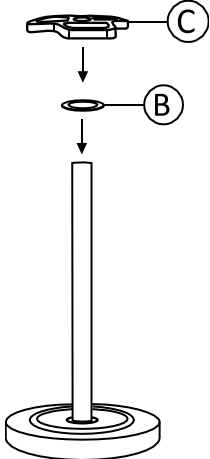
A x1  
B x1  
C x1  
D x2  
E x6  
F x1  
G x1  
H x1

**1**

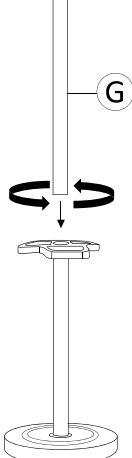
Screw the first tub to the base



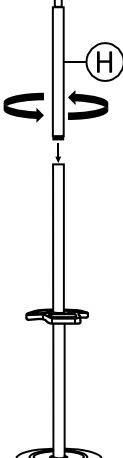
**2**



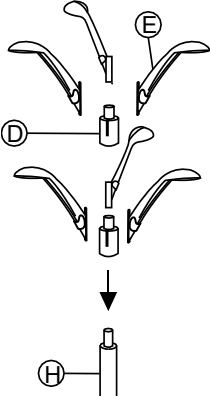
**3**



**4**

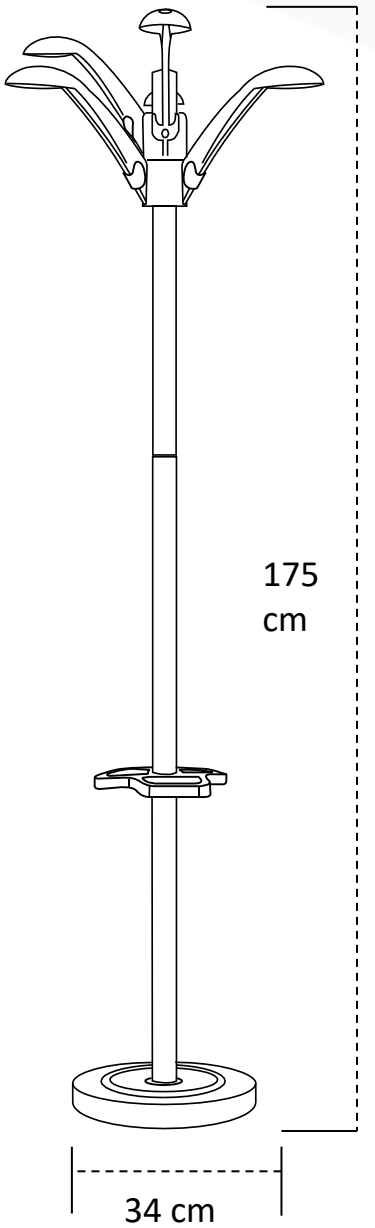


**5**



**5kg max.**

The coat stand can support until 5 kilos for each peg.



175 cm

34 cm

## 30 products available on pCon Planner

You will be able to obtain data on many UNILUX or OFML standard products and integrate them quickly and easily into 3D space layouts via pCon.



## Download on our E-shop

Always available: photos in HD, data sheets, instruction manual, repairability instructions for all our products.



## Do you have any questions?

Our after-sales service is always at your disposal

Tèl: +33 1 81 86 06 03

E-mail: [contact.unilux@hamelinbrands.com](mailto:contact.unilux@hamelinbrands.com)

17 avenue du Parc TECHNOPOLES

91380 Chilly Mazarin – France

Tèl: +33 1 81 86 06 00

[www.my-unilyx.com](http://www.my-unilyx.com)

E-mail: [contact.unilux@hamelinbrands.com](mailto:contact.unilux@hamelinbrands.com)

UNILUX