



UNILUX

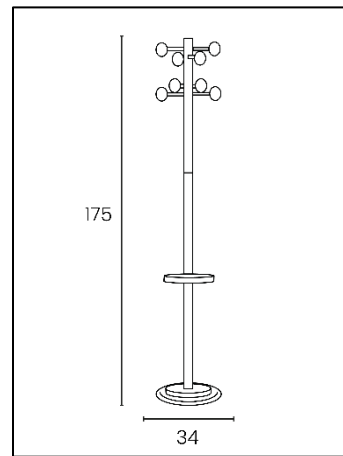
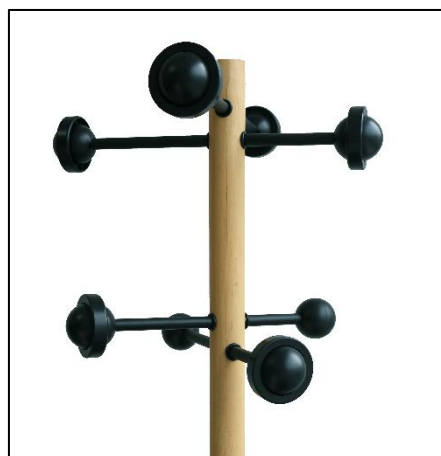
ACCUEIL WOOD

ACCUEIL BOIS



- **Classic design:** available in 2 colors, this coat rack with a Scandinavian look with its beech wood insert will bring the touch of warmth in your workspaces.
- **Functional:** this coat rack has 8 round hooks equipped with anti-slip edges that do not deform clothes. The staggered layout prevents overlapping coats.
- **Smart:** equipped with an umbrella stand that can accommodate up to 9 umbrellas simultaneously.
- **5.6 kg weighted base:** ensures the stability of the coat rack, whatever the load.
- **Convenient:** easy and fast assembly (4mins) without tools.

8 hooks
 Height: 175 cm
 Tube diameter: 3.7 cm
 Weighted base: 5.6 kg
 Base diameter: 34 cm
 Materials: steel barrel with Epoxy paint and beech wood / ABS plastic hooks / steel umbrella door with Epoxy paint
 Recyclability: dismantling and reintegrating materials into the material use circuit



SAP no.	100340701	100340704
EAN code	3595560009251	3595560009237
Colors	Black/beech	Metal grey/beech
Height	175 cm	175 cm
Base diameter (cm)	34 cm	34 cm
Base net weight (kg)	5,6 kg	5,6 kg
Maximum Load (kg)		
Revolving head	No	No
Umbrella stand	Yes	Yes
Capacity of umbrellas	9	9
Drip tray	Yes	Yes
Mounting (min)	4 mins	4 mins
Net weight: Kg	7,2	7,2

OUR CSR COMMITMENTS

1. All our lighting are **100% repairable** thus limiting planned obsolescence.
2. Reduce our carbon footprint through our **ECO-DESIGN THINKING** approach.
3. Contribute to the preservation of the planet's natural resources by promoting the use of **recycled materials**.
4. Optimize our packaging to control our **transport costs**. 65%
5. Highlight the **talent of our employees** by ensuring social equality.

OUR EXPERTISE

Why invest in a coat stand ?

Depending on the size of our workspace, our office can quickly become a storage nightmare. We've got so much to put away! However, the key is to organize them so that they don't take over. One way of doing this is to invest in free-standing coat stands. These are essential items that you can use to store your belongings in one place. It's an item you can use to hang your coats, hats, scarves, bags, umbrella, You name it.

What are the advantages of investing in a coat stand ?

There are many advantages to investing in a floor-standing coat stand:

- Made from high-quality materials
- Easy to assemble and maintain for years of use
- Helps keep your home clutter-free by giving you extra space to hang jackets, handbags, umbrellas, etc.

Here are 4 important criteria for choosing a good coat stand

The material: A common problem with workspaces fitted with coat racks is that they are not strong enough to support the weight of heavy winter clothes during the colder months. So it's important to choose solid materials - we recommend investing in something like steel or, more eco-consciously, wood.

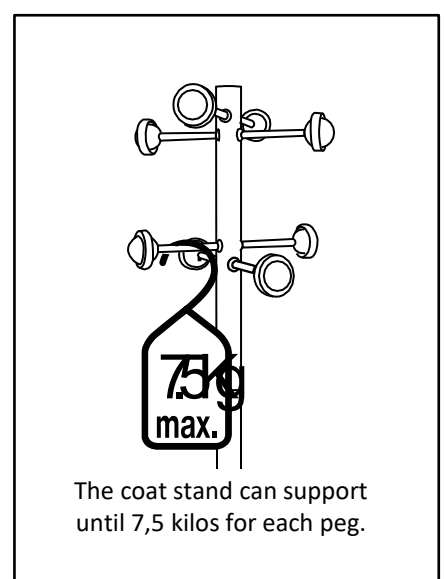
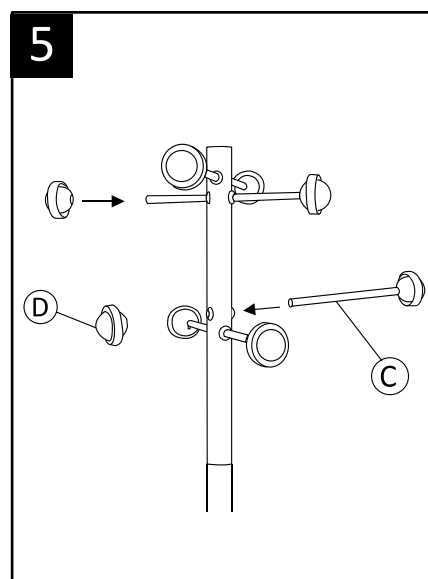
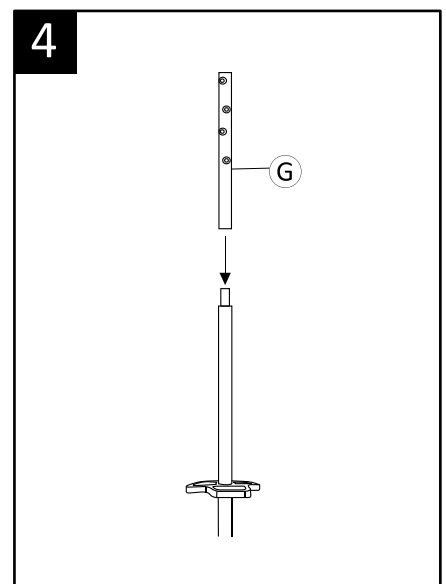
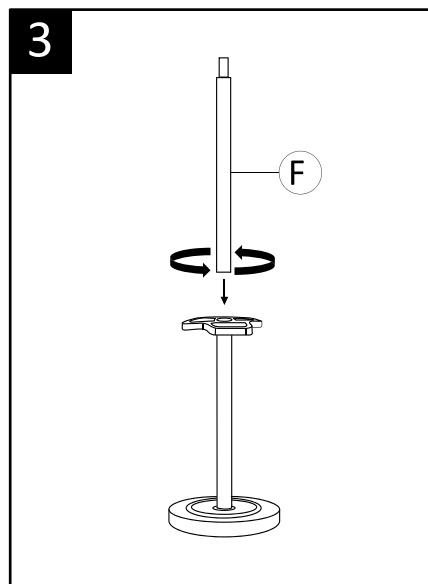
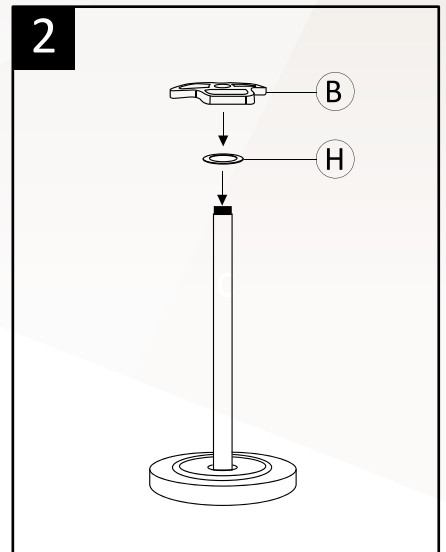
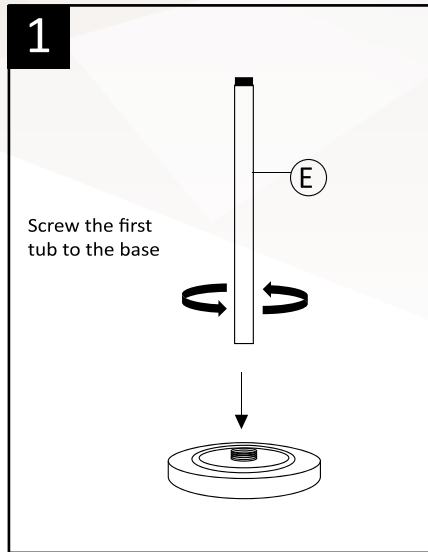
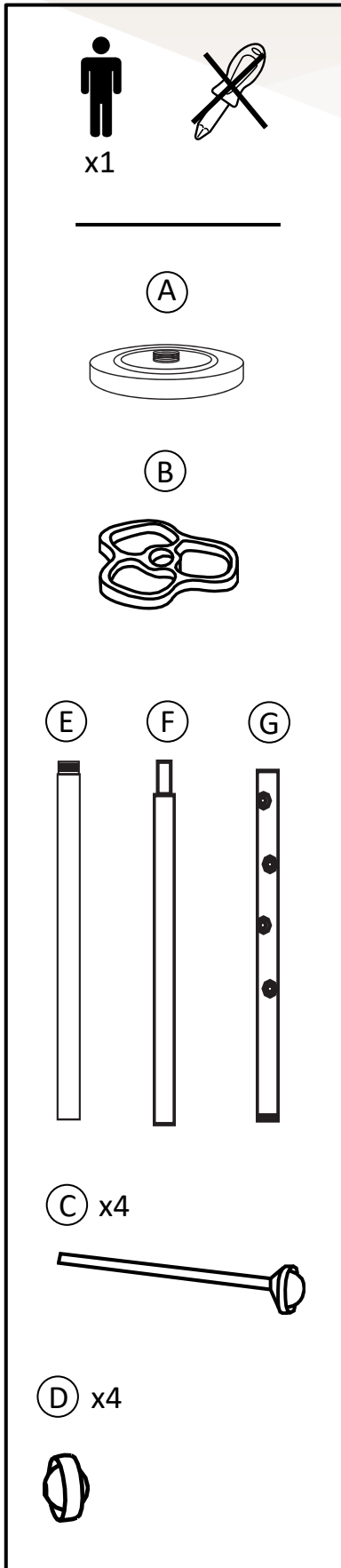
- **Stability:** Freestanding coat racks are supported by a heavy steel base that makes them exceptionally stable. The stability of this type of coat stand is very important, especially in high-traffic areas such as reception halls, meeting rooms, break rooms, etc.
- **Capacity:** Depending on the number of people in the room, you'll need to choose a coat stand with more or less hooks. It's a criterion we don't pay much attention to, yet it's very useful if you want to be able to hang up all your staff's coats.
- **Design:** Finally, aesthetics play an increasingly important role since the COVID-19 crisis. More and more employees are looking to recreate a cocooning space in their office to improve their well-being. UNILUX offers a wide range of designs to suit all personalities.

OUR CERTIFICATIONS

Unilux is committed to an eco-responsible approach and ensures that its products respect this commitment. Indeed, we are very concerned about current environmental issues and we aspire to respond as best as possible to the concerns of our consumers on this subject. Sustainable development is at the heart of our strategy and we act for the environment. You will find below the different certifications that Unilux has and that prove its environmental commitment.



USER GUIDE



30 products available on pCon Planner

You will be able to obtain data on many UNILUX or OFML standard products and integrate them quickly and easily into 3D space layouts via pCon.



Download on our E-shop

Always available: photos in HD, data sheets, instruction manual, repairability instructions for all our products.



Do you have any questions?

Our after-sales service is always at your disposal

Tèl: +33 1 81 86 06 03

E-mail: contact.unilux@hamelinbrands.com

17 avenue du Parc TECHNOPOLIS

91380 Chilly Mazarin – France

Tèl: +33 1 81 86 06 00

www.my-unilyx.com

E-mail: contact.unilux@hamelinbrands.com

UNILUX